

**V36, K8.0**  
Models V3620 and V3619  
Standard Spray Dry Type  
Concealed Pendent  
Standard and Quick Response

**PRODUCT DESCRIPTION**



Concealed Pendent



The Model V36 Series Dry Type Concealed Pendent Sprinkler has been redesigned utilizing stainless steel internal components. The V36 Dry Sprinkler is used in special applications such as freezing environments and conditions where sediment or foreign materials might accumulate in ordinary drop nipples. It offers the ultimate in low profile, aesthetically pleasing appearance. All that is seen at the ceiling is a 3<sup>5</sup>/<sub>16</sub>" diameter ceiling plate color finished to match the specifier's exact requirements. The V36 Dry Concealed Sprinkler incorporates a frangible glass bulb which is located above the ceiling and concealed from view by the ceiling plate. The plate is soldered

to the sprinkler upper support assembly. Upon the application of sufficient heat, the plate falls to the floor exposing the pendent spray sprinkler. At the glass bulb's rated temperature, the sprinkler opens releasing the bulb seat assembly, causing the inner tube assembly to move; allowing the spring assembly to pivot alongside the inner tube. Water then flows through the sprinkler and is distributed by the deflector in an approved discharge pattern. A special spring is attached to the pendent deflector that serves to provide a constant tension against the ceiling plate. This feature virtually ensures freedom from environmental vibration problems.

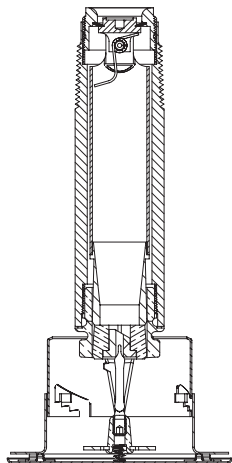
The V36 Dry Concealed Sprinkler is recommended for use in areas that allow some adjustment to either the pipe or ceiling height. Victaulic does not recommend the use of this sprinkler with non-adjustable, fixed ceilings. For these types of ceilings that require the use of a dry type sprinkler, Victaulic recommends the use of either a recessed or an extended escutcheon.

**Coverage**

For coverage area and sprinkler placement, refer to NFPA 13 standards.

**NOTE: These sprinklers meet the new test requirements in UL 199, effective March 26, 2004.**

**TECHNICAL SPECIFICATIONS**



Exaggerated for Clarity

- Models:** V3620 and V3619
- Style:** Concealed Pendent
- Nominal Orifice Size:** 1<sup>7</sup>/<sub>32</sub>" (14 mm)
- Orifice Insert:** Stainless steel per UNS S30300
- K-Factor:** 8.0 Imp. (11,5 S.I. ^)
- Nominal Thread Size:** 1" NPT (33,7 mm)
- Max. Working Pressure:** 175 psi (1200 kPa)
- Factory Hydrostatic Test:** 100% @ 500 psi (3450 kPa)
- Min. Operating Pressure:** 7 psi (48 kPa)
- Temperature Rating:** See chart on page 2.

**MATERIAL SPECIFICATIONS**

- Deflector:** Bronze per UNS C22000
- Bulb:** Glass with glycerin solution
  - Standard: 5,0 mm
  - Quick Response: 3,0 mm
- Split Spacer:** Stainless steel per UNS S30300
- Load Screw:** Brass per UNS C36000
- Pip Cap:** Stainless steel per UNS S30300
- Spring Seal Assembly:** Teflon\* coated Beryllium nickel alloy and stainless steel per UNS S30300
- Frame:** Die cast brass
- Outer Tube:** Galvanized steel pipe
- Inner Tube:** Stainless steel per UNS S30400

- Cup:** Cold rolled steel
- Cover Plate Assembly:** Brass per UNS C26000
- Torsion Spring:** SST Wire

**ACCESSORIES**

- Installation Wrench:**
  - Model V36 Open End and Recessed Wrenches fit all V36 Series frames.

**Finishes:**

- Chrome Plated
  - Brass Plated
  - White Painted†
  - Flat Black†
  - Custom Painted†
- For cabinets and other accessories refer to separate sheet.

^ For K-Factor when pressure is measured in Bar, multiply S.I. units by 10.0.

\* Teflon is a registered trademark of Dupont Co.

†These finishes require longer lead times. Contact Victaulic for details.

**VICTAULIC® IS AN ISO 9001 CERTIFIED COMPANY**

<p><b>UNITED STATES</b> Phone: 1-800-PICK-VIC (1-800-742-5842) Fax: 610-250-8817 e-mail: pickvic@victaulic.com</p>	<p><b>CANADA</b> Phone: 905-884-7444 Fax: 905-884-9774 e-mail: viccanada@victaulic.com</p>	<p><b>EUROPE</b> Phone: 32-9-381-1500 Fax: 32-9-380-4438 e-mail: viceuro@victaulic.be</p>	<p><b>UK</b> Phone: 44(0)1438741100 Fax: 44(0)1438313883 e-mail: viceuro@victaulic.be</p>	<p><b>CENTRAL &amp; SOUTH AMERICA</b> Phone: 610-559-3300 Fax: 610-559-3608 e-mail: vical@victaulic.com</p>	<p><b>AUSTRALASIA</b> Phone: 86-21-58855151 Fax: 86-21-58851298 e-mail: vicap@victaulic.com</p>
--	--	---	---	---	---

# APPROVALS/LISTINGS

Model	Orifice Size Inches millimeters	Nominal K-Factor Imperial S.I.^	Response	Deflector Type	Approved Temperature Ratings °F/°C ‡ *		
					UL	C-UL	With Cover Plate
V3620	1 7/32 14	8.0 11,5	Quick	Concealed Pendent	135, 155, 200 57, 68, 93	135, 155, 200 57, 68, 93	135, 165 57, 74
V3619	1 7/32 14	8.0 11,5	Standard	Concealed Pendent	135, 155, 200 57, 68, 93	135, 155, 200 57, 68, 93	135, 165 57, 74

‡ Listings and approval as of printing.

^ For K-Factor when pressure is measured in Bar, multiply S.I. units by 10.

\*Listed for up to ordinary hazards.

# RATINGS

All glass bulbs are rated for temperatures from -67°F (-55°C) up to those shown in adjacent table.

Sprinkler Temperature Classification	SPRINKLER – V3619, V3620			COVER	
	Sprinkler Temperature – °F/°C		Glass Bulb Color	Cover Temperature – °F/°C	
	Nominal Temperature Rating	Maximum Ambient Temp. Allowed		Nominal Temperature Rating	Maximum Ambient Temp. Allowed
Ordinary	135/155 57/68	100 38	Orange/Red	135 57	100 38
Intermediate	200 93	150 65	Green	165 74	150 65

# ORDERING INFORMATION

Please specify the following when ordering:

- Sprinkler Model Number
- Style
- Temperature Rating
- K-Factor
- Quantity
- Sprinkler Finish
- "A" Dimension - Distance from face of fitting to the finished ceiling line.

## ⚠ WARNING

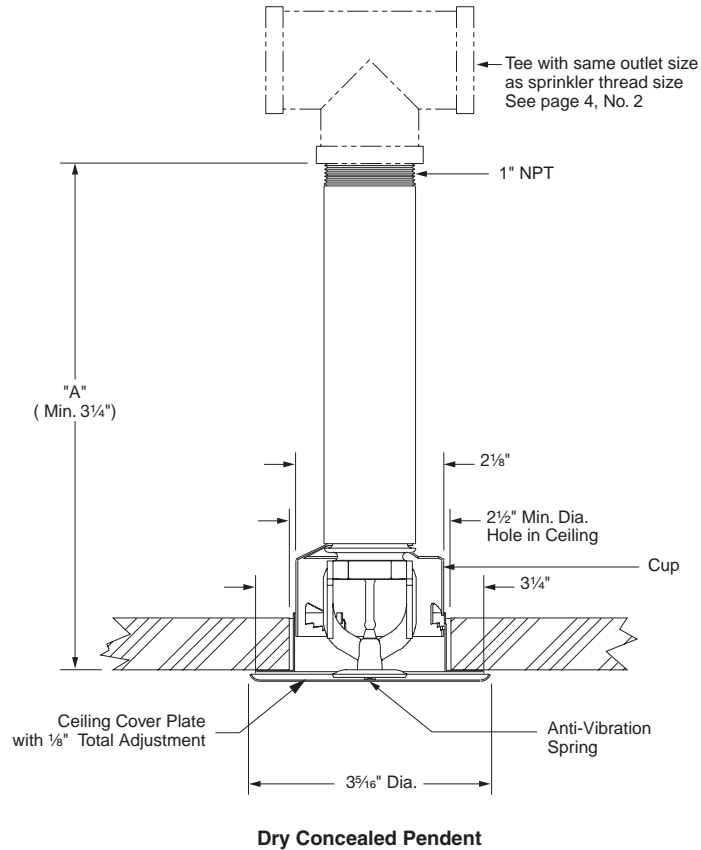


- Always read and understand installation, care, and maintenance instructions, supplied with each box of sprinklers, before proceeding with installation of any sprinklers.
  - Always wear safety glasses and foot protection.
  - Depressurize and drain the piping system before attempting to install, remove, or adjust any Victaulic piping products.
  - Installation rules, especially those governing obstruction, must be strictly followed.
  - Painting, plating, or any re-coating of sprinklers (other than that supplied by Victaulic) is not allowed.
- Failure to follow these instructions could result in serious personal injury and/or property damage.

The owner is responsible for maintaining the fire protection system and devices in proper operating condition. For minimum maintenance and inspection requirements, refer to the current National Fire Protection Association pamphlet that describes care and maintenance of sprinkler systems. In addition, the authority having jurisdiction may have additional maintenance, testing, and inspection requirements that must be followed.

If you need additional copies of this publication, or if you have any questions about the safe installation of this product, contact Victaulic World Headquarters, P.O. Box 31, Easton, Pennsylvania 18044-0031, 610-559-3300.

## DIMENSIONS



**NOTE:** The "A" dimension of a dry sprinkler which extends into freezers from wet pipe systems should be sized to provide at least 14" between the freezer's outside wall or ceiling and the wet pipe.

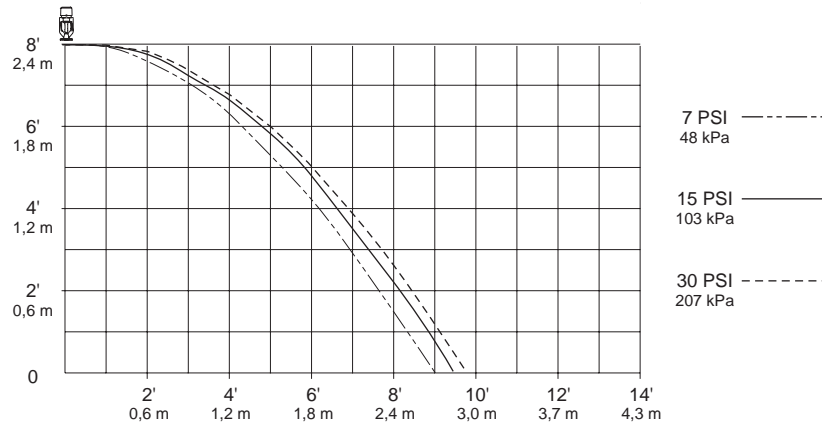
Due to the limited adjustment for the concealed cover plate, Victaulic standard spray dry type concealed pendent sprinklers are available in 1/8" incremental lengths. Please specify your required length to the nearest 1/8".

## AVAILABLE WRENCH

Model V36 Open End and Recessed Wrenches fit all V36 Series frames.

# DISTRIBUTION PATTERNS

MODELS V3620, V3619  
K8.0 STANDARD & QUICK RESPONSE  
CONCEALED PENDENT  
DISTRIBUTION PATTERNS – TRAJECTORY



**NOTES:**

1. Data shown is approximate and can vary due to differences in installation.
2. These graphs illustrate approximate trajectories, floor-wetting, and wall-wetting patterns for these specific Victaulic FireLock Automatic Sprinklers. They are provided as information for guidance in avoiding obstructions to sprinklers and should not be used as minimum sprinkler spacing rules for installation. Refer to the appropriate NFPA National Fire Code and the authority having jurisdiction for specific information regarding obstructions, spacing limitations and area of coverage requirements. Failure to follow these guidelines could adversely affect the performance of the sprinkler and will void all Listings, Approvals and Warranties.
3. All patterns are symmetrical to the centerline of the waterway.

# IMPORTANT INSTALLATION INFORMATION

**For detailed installation instructions, see publication I-40.**

- |   |   |   |
|---|---|---|
| <p><b>No. 1</b> Victaulic Model V36 Series Dry Concealed sprinklers should be installed in accordance with NFPA 13. These sprinklers are to be installed using a pipe wrench applied to the outer tube. When this is not possible, the proper sprinkler wrench may be used with extreme care for lengths up to approximately 18". Excessive force may distort the frame thus destroying the unit.</p> | <p><b>No. 2</b> Dry sprinklers MUST be installed only into the outlet of a Victaulic FIT® tee or a cast or malleable iron tee.</p> <p><b>No. 3</b> DO NOT install dry sprinklers into any couplings or threaded elbows. In addition, DO NOT install dry sprinklers into any fitting that interferes with thread penetration. <b>NOTE:</b> The end seal of the dry sprinkler MUST NOT bottom out in the fitting.</p> | <p><b>No. 4</b> The Dry Concealed Sprinkler is available in 1/8" increments due to the limited adjustability of the cover plate. This limited adjustability could prevent the cover plate from sitting tightly against the ceiling. Therefore, Victaulic does not recommend the use of the Dry Concealed Sprinkler on non-adjustable, fixed ceilings.</p> |
|---|---|---|

# WARRANTY

Refer to the Warranty section of the current Price List or contact Victaulic for details.

This product shall be manufactured by Victaulic or to Victaulic specifications. All products to be installed in accordance with current Victaulic installation/assembly instructions. Victaulic reserves the right to change product specifications, designs and standard equipment without notice and without incurring obligations.