

# **HVAC DUCT CONSTRUCTION STANDARDS**

## **METAL AND FLEXIBLE**

SECOND EDITION – 1995



**SHEET METAL AND AIR CONDITIONING CONTRACTORS'  
NATIONAL ASSOCIATION, INC.**  
4201 Lafayette Center Drive  
Chantilly, VA 20151-1209

**HVAC DUCT  
CONSTRUCTION STANDARDS  
METAL AND FLEXIBLE**

COPYRIGHT©1996  
All Rights Reserved  
by

**SHEET METAL AND AIR CONDITIONING CONTRACTORS'  
NATIONAL ASSOCIATION, INC.**

4201 Lafayette Center Drive  
Chantilly, VA 20151-1209

Printed in the U.S.A.

FIRST EDITION - 1995  
SECOND EDITION - 1995

Second Printing - May 1996

Except as allowed in the Notice to Users and in certain licensing contracts, no part of this book may be reproduced, stored in a retrievable system, or transmitted, in any form or by any means, electronic, mechanical, photocopying, recording, or otherwise, without the prior written permission of the publisher.

**HVAC-DCS-1995**  
**2nd Edition**  
**First Printing ERRATA**

- Page 1.13 In 7a: change Table 1-18 to 1-25; Make note 7 a) read "Class A, B or C per Table 1-25;"
- Page 1.15 In Table 1-4, spell RECTANGULAR correctly in the title.
- Page 1.16 In 1.8.2 change Table 1-17 to 1-24 and change Table 1-18 to 1-25. Make the T-1 refer to Class A, B or C.
- Page 1.17 In line one, change "of" to "or".
- Page 1.19 Spell RECTANGULAR correctly in the table titles. through 1.31
- Page 1.24 In column 10 at 2400 mm, change J-1.00H to I-0.85H
- Page 1.28 In columns 9 and 10, change L16 J to L-1.31J
- Page 1.28 In Col 4, change D-20 to D-100 @ 401mm and change E-20 to E-100 @ 451 mm.
- Page 1.29 At 2 feet spacing on W=108", change L-18 to L-18J  
 At 2 1/2 feet spacing on W=120", change Jt-16 to Kt-16
- Page 1.30 At W=2700 mm and 0.60 m spacing, change L-1.31 to L-1.31J  
 At W=3000 mm and 0.75 m spacing, change Jt-1.61 to Kt-1.61
- Page 1.31 At 72" w. And 2 1/2' spacing, change L 16I to L-16J  
 At 84" w. And 2' spacing, change L-16J to Lt-16  
 At 96" w and 2' spacing, change Lt-16J to Lt-16
- Page 1.32 At w=1800 mm and 0.75 m spacing, change L-1.61I to L-1.61J  
 At w=2100 mm and 0.60 m spacing, change L-1.61J to Lt-16
- Page 1.35 Change EI numbers for Reinf. Class to read thus:

B	C	D	E	F	G	H
0.29	0.55	0.78	1.9	3.7	4.5	6.3(+)
						7.6(-)

- Page 1.38 In T-25a and T-25b art, make H=34.9mm
- Page 1.39 At T-15 art, change H-3.2 mm to H - 1/8"
- Page 1.40 At T-15 art, change H-1/8 to H - 3.2 mm
- Page 1.41 In S1.19.2, change Figure 1-30 to 1-3  
 In S1.19.4 last line column one, change Tables 1 through 14 to Tables 1-14 and 1-14M.

Page 1.42 Change the last sentence in S1.24 to read “For positive pressure, threaded inserts...(no change in remaining text)”

Page 1.45 Revise loads in Table 1-14 as follows:

W	RS	4”WG’	3”WG	6”WG
48”	4’	250		
54”	6’	421		
54”	5’	351		
54’	4’	281		
72”	3’		210	421

Page 1.45 Add in notes beneath Table 1-14 “Not all W by RS load condition listed in Table 1-14 occur in Tables 1-3 through 1-9. Also, loads for widths less than 48” may be calculated for Table 1-14.”

Page 1.46 Add in notes beneath Table 1-3M “Not all W by RS load conditions listed herein occur in Tables 1-3M through 1-9M. Also, loads for widths less than 1200 mm may be calculated for Table 1-14M.”

Page 1.47 At W=120”, RS=5’, 10” W.G., change 7/8” to 1/2”.

At W=120”, RS=4’, 10” W.G., change 3/8” to 7/16”.

At W=120”, RS=3’, 10” W.G., change 7/16” to 3/8”.

Page 1.47 & 1.48 In line three of notes, change “wheneve” to “whenever”

Page 1.49 For 3/4” rod at 19-24” length, change 1336 to 1002  
At 2400  $\sigma_a$  make L/rg 176-200

Page 1.49 & 1.50 In the notes, change  $\leq 000$  to  $\leq 100$

Page 1.50 For 19.1 mm rod at 610 mm length, change 606 to 454.  
At 16548  $\sigma_a$  make L/rg 176-200

Page 1.51 to 1.52 In Tables 1-17; 1-17M, 1-18 and 1-18M headings, change “COMPRESSED” TO “COMPRESSION.”

Page 1.54 Omit the ”(inch marks) and the “in<sup>2</sup>” in the column heading in the lower EMT Table.

Page 1.58 In the last paragraph of notes, change (in<sup>2</sup>) to (mm<sup>2</sup>); change Ksi to Kpa; change Table 1-20 to 1-20M.

Page 1.59 In text 1.12.1 (2), change Table 1-14 to Table 1-21.  
In text 1.12.1 (3), change Table 1-14 to Table 1-21 and change Table 1-18 to Table 1-25.

- Page 1.61 In text S 1.30, change Table 1-14 to Table 1-21.
- Page 1.63 At Joint T-3, state "same pressure limits as Joint T-2.
- Page 1.64 At Joint T-13, correct spelling to "BAR-REINFORCED".
- Page 1.64 In Joint T-24 specs. line 13, change "Mating flanges..." to "Clips..."
- Page 1.64 In joints T-25a and T-25b text, change TCD<sup>®</sup> to TDC<sup>®</sup>  
Above 1.15 COMMENTS, change "Figures 1-13 through 1-18" to "Figures 1-13 through 1-16."
- Page 1.72 In the notes at the bottom of the table, change "class A or class B" to "classes A, B or C"
- Page 1.73 In the notes at the bottom of the table, change "class A or class B" to "classes A, B or C"
- Page 2.1 In the first line of column two, change page 1.4 to 1.8.
- Page 2.8 At the 45 degree entry fitting, change  $L=1/4w$  to  $L=W/4$
- Page 2.23 In the first paragraph omit "...and is available from SMACNA."
- Page 2.25 In text S 2.9 line four, omit the comma after "edges"
- Page 2.28 In the note at the bottom of the page, change "linear" to "liner"
- Page 3.2 In 3.1 five lines below note 4, spell connection correctly  
In Table 3-1 beneath R/D Ratio heading, move "to" to be one space after Radius and center up the heading line over Duct Diameter.
- Page 3.3 In Table 3-2A, change MAX.DIA of 27-26" to 27-36"
- Page 3.7 In Table 3-3 in the Duct Diameter column, move "Inches" to be one space after "in.
- Page 3.11 In the metric fastener spacings for taps, change 10.1 mm to 101 mm and change 5.08 mm to 50.8 mm.
- Page 4.16 In the upper right hand corner, change "ANGLE" to "BAND"
- Page 4.17 Change "ANGLE" to "BAND" as for page 4.16
- Page 7.3 In the lower right corner, change the note page references from "1-7 and 1-8" to 7.1 and 7.6.
- Page A.1 Appendix index For Sample Shop Standards, change A-21 to A-20
- Page A.7 Appendix  
In the first column of widths (on the left hand side of the page), move all widths of 6" through 108" up one cell to coincide with the areas data entries.

Page A.13 Appendix  
In column 6 at 43”–48” replace NOT GIVEN with 1 5/8 x 18ga  
In column 11 at 21”–30” change 1 x 1/8 to 1 x 1/8HR, meaning hot rolled  
In column 11 at 31”–60” insert 1 1/2 x 1/8” In column 12, make the zee art as it is on page A.15 but as dark as that in column 11.

Page A.14 Appendix  
In column 6 at 55”–60” insert 1 5/8 x 18ga  
In column 9 at 31”–43” change 20ga to 22ga  
In column 11 at 31” to 54” insert 1 1/2 x 1/8”  
In column 12 at 61”–72” change 4/4 to 3/4 in the zee size.  
In column 12, make the zee art as in column 12 on page A.15 but as dark as that in column 11.

Pages A.15,  
A–16 Make the zee art in column 12 as dark as that in column 11.

Page A.15 Appendix  
In column 11, change 1x1/8 to 1x1/8HR (for hot rolled)  
In column 12, at 73”–96” change 2 x 1 1/4 x 12ga to 2 x 1 1/8 x 12ga

Page A.16 Appendix  
In column 12 at 37”–42” change 1 x 1/8 to 1 x 1/8 HR (for hot rolled)

Page A.17 Appendix  
At 21, 22” W, 24 ga and 1” W.G., change C/10D to C/10  
In the 2”WG columns on all gages 22 to 26 in the 19, 20” row omit letter D in the cells; i.e., each C/5D becomes C/5 and each C/4D becomes C/4.  
Otherwise, all D’s to the right of numbers in the cells are to be small superscripts; e.g., C/5D to C/5<sup>D</sup>. In the note below the Table, change “see Table 1–18” to “see Table 1–25” Make “as Class A” read “as Class A, B or C.”

Page A.18 Appendix  
In the note below the table change “see Table 1–18” to “see Table 1–25”

Page A.20 Appendix  
To the right of 8 ft. Brake Shop heading list 4 ft Coil Line

### **REV. 5–10–96**

Page xvii In line four of text for 1.5, change bt to by.

Page 1.67 Revise text in line one of column two to read “(0.85), and 24 (0.70 mm) gage. 1/2” (12.7 mm) pocket depth is used on 24 (0.70 mm) and 26 (0.55 mm) gage.”

Page 1.70 In line three of notes, change “then” to “than.”

### **REV. 5–28–96**

Page 1.28 In column 10 for W = 2101, 2400, change J–20I to J–1.00I.

**REV. 6-3-96**

Page 5.4 Revise the formulae in Figure 5.2 to read as follows:

$$\text{Free Area (sq. ft. or mm)} = L[A+B+(NxC)]$$

$$\text{Percent Free Area} = \frac{L[A+B+(NxC)]100}{W \times H}$$

**REV. 7-10-97**

Page xvii In 1.1 use one c in "acoustically"

Page 1.6 Add A in the cell in Table 1-1 under +10" for flat oval style.

Page 1.13 In 7a change "Class A" to "Class A, B or C..."

Page 1.15 In the drive slip sentence above Table 1-1, change "being A" to "being A, B or C"

Page 1.16 In 1.8.2, change Class A to Class A, B or C.

Page 1.17 In line one, change "of" to "or".

Page 1.27 In Column  $\bar{\quad}$  at 450 mm W, change D-20 to D-1.00 and at 500 mm W, change D-20 to D-1.00. At 500 mm W, change E-20 to E 1.00.

Page 1.37 For T-25a, T-25b column at G REINF CLASS row, change  $\pm 20$  G to  $\pm 20$  ga.

Page 1.47 At 10" W.G. column and 120" W, 5' RS change 7/8 to 1/2 and at 4' RS, change 3/8 to 7/16.

Also, at 10" W.G. and 3' RS for 120" W, change 7/16 to 3/8.

Page 1.63 In the Joint T-3 text, add the same 2" w.g., 3" w.g. and 4" w.g. limits as text for Joint T-2 has.

Also, spell REINFORCED correctly in Joint T-13 specs.

Page 1.64 In line 13 of Joint T-24 text, change "Mating flanges" to "Clips".

Page 1.67 For Type L-4 seam, change Figure 1-17 to Figure 1-6.

- Page 2.8 For the 45° LEAD IN fitting note, change "THAN<sub>2</sub>D" to "THAN D<sub>2</sub>"
- Page 3.11 In the notes for 90° TAP, change 10.1 mm to 101 mm; change 5.08 mm to 50.8 mm and 10.1 mm to 101 mm at SCREW 4" ( ).
- Page 3.19 In line 3 of S3.35, change 10' (3.05 m) to 5' (1.5 m)
- Page A.2 In Note 1, change the year of the ASTM Std from -74 to -94.
- Page A.17 In the flat drive note below the table, change "as Class A" to "as Class A, B or C."
- Page A.18 Change Class A note as done on page A.17.



## FOREWORD

This Second Edition of the SMACNA commercial metal and flexible duct construction standards is another in a long line dating from the 1950s. A quick overview of the changes is provided in the front of this manual. Meanwhile, a Committee has already begun work on what will be either addenda or a new edition. Subjects being investigated are ribbed round duct, fatigue testing of tie rod metal, new flat oval duct standards, duct liner pin lengths, more double wall casings, sealant specifications and more performance specifications for joints and reinforcements. And, indirectly related to these standards, significant progress is being made by major mechanical code writing agencies in developing one uniform, consensus supported code for the entire nation.

SMACNA expresses appreciation to the many who have offered suggestions for constructive improvement in the fabrication and installation of duct systems. Suggestions for future improvement are welcome. Special thanks is given to those who volunteered their time, gave their special knowledge and struggled with development of a consensus that would reflect the needs of a diversified industry. Although standardization intrinsically involves selection, no intention of discrimination against the use of any product or method that would serve a designer's need equally or better exists.

SHEET METAL AND AIR CONDITIONING CONTRACTORS'  
NATIONAL ASSOCIATION, INC.



## HVAC DUCT CONSTRUCTION STANDARDS COMMITTEE

Ronald Rodgers, Chairman  
J. B. Rodgers Mechanical Contractors  
Phoenix, AZ

Seymore Cohen  
Knecht, Inc.  
Camden NJ

Dick Hoffa  
Corn States Metal Fabricators, Inc.  
West Des Moines, IA

Ronald Palmerick  
AABCO Sheet Metal  
Brooklyn, NY

Les Santeler  
Climatep, Inc.  
Chicago, IL

John H. Stratton, Staff  
SMACNA  
Chantilly, VA

## FORMER COMMITTEE MEMBERS\* AND OTHER CONTRIBUTORS TO THE SECOND EDITION

Michael Mamayek\*, Chairman 1992-1993  
Illingworth Corporation  
Milwaukee, WI

Andrew Boniface\*, Chairman 1989-1991  
Bonland Industries, Inc.  
Wayne, NJ

H. Andrew Kimrnel\*, Chairman 1988  
E. W. Ensroth Co.  
Warren, MI

Robert S. Deeds\*, Chairman 1986-1987  
METCO, Inc.  
Salt Lake City, UT

Norman T. R. Heathorn\*  
N. B. Heathorn, Inc.  
Oakland, CA

Gerald D. Hermanson\*  
Hermanson Corporation  
Renton, WA

George J. Thomas, Jr.\*  
Thomas Roofing & Sheet Metal Co., Inc.  
Atlantic City, NJ

Guillermo ("Bill") Navas, Staff  
SMACNA  
Chantilly, VA

## SPIRAL DUCT TASK FORCE

Ronald Rodgers, Chairman  
Phoenix, AZ

Phillip Gillespie  
Indianapolis, IN

Richard Graves  
Houston, TX

Spence O'Brien  
Whitter, CA

Robert Seiden  
Pittsburgh, PA

**SMACNA Technical Manuals & Standards**

*Order # Title*

1208 HVAC Systems- Duct Design, 3rd Ed., 1990

1169 HVAC Duct Design Home Study Course, 1st Ed., 1992

1039 Duct Research Destroys Design Myths, 1987 Video, 24 minutes, VHS

1052 Duct System Calculator, 1988 (Circle One) Imperial, Metric (1065)

1079 Duct Electric Heat Guide for Air Handling Systems, 2nd Ed., 1994

1195 HVAC Systems- Application, 1st Ed., 1986

1221 HVAC Systems- Testing, Adjusting & Balancing, 2nd Ed., 1993

1234 Indoor Air Quality Manual, 2nd Ed., 1993

1286 Fire, Smoke & Radiation Damper Installation Guide for HVAC Systems, 4th Ed., 1992

1156 HVAC Duct Construction Standards- Metal & Flexible, 2nd Ed., 1995

1143 HVAC Air Duct Leakage Test Manual, 1st Ed., 1985

1117 Fibrous Glass Duct Construction Standards, 6th Ed., 1992

1247 Installation Standards for Residential Heating & A/C Systems, 6th Ed., 1988

1182 HVAC Duct Systems Inspection Guide, 1st Ed., 1989

1325 Round Industrial Duct Construction Standards, 1st Ed., 1977

1299 Rectangular Industrial Duct Construction Standards, 1st Ed., 1980

1378 Thermoplastic Duct (PVC) Construction Manual, 2nd Ed., 1992

1338 Seismic Restraint Manual, 1st Ed., 1991 (w/ Appendix E, 1993)

1130 Managers' Guide for Welding, 2nd Ed., 1993

**Duct Systems Design**

ASHRAE Handbook - Fundamentals and Systems and Equipment Volumes

ASHRAE - Principles of HVAC

ASHRAE Standards 62 - Ventilation for Acceptable Indoor Air Quality

ASHRAE/IES Standard 90.1 - Energy Efficient Design of New Buildings (Except Low- Rise Residential Buildings)

Model Energy Code of the Council of American Building Officials (CABO)

Local Mechanical Codes

**Corrosion**

ASM International - Handbook of Corrosion Data (Metals)

Corrosion Resistant Materials Handbook (Metal and Non- Metals), NOYES DATA CORPORATION NACE Catalog of Publications

**Insulation**

ASHRAE - Handbooks

ASHRAE - A Practical Guide to Noise and Vibration Control in HVAC Systems

MICA - National Commercial and Industrial Insulation Standards, Endorsed by NIAC

**Structural Handbooks**

AISI Cold- Formed Steel Design Manual

AISI Steel Products Manuals

AISI Design of Light Cage Cold- Formed Stainless Steel Structural Members

Cold- Formed Steel Structure - Design, Analysis and Construction, McGraw- Hill Publisher, Wei- Wen Yu, Author

AISC Manual of Steel Construction

MFMA Guidelines for the Use of Metal Framing (Strut Channel)

AA Specifications for Aluminum Structures

AA Engineering Data for Aluminum Structures

ASCE Standard 7, Minimum Design Loads for Buildings and Other Structures

*Footnote: Associations whose acronyms are used in test are:*

AA-Aluminum Association

ACGIH-American Conference of Government industrial Hygienists

ACCA-Air Conditioning Contractors of America

ADC-Air Diffusion Council

AISC-American Institute of Steel Construction

AISI-American Iron and Steel Institute

ASCE-American Society of Civil Engineers

ASHRAE-American Society of Heating, Refrigeration and Air

Conditioning Engineers

ASTM-American Society for Testing and Materials

FHA-Federal Housing Administration

MFMA-Metal Framing Manufacturers Association

MICA-Midwest Insulation Contractors Association

NACE-National Association of Corrosion Engineers

NFPA-National Fire Protection Association

NAIMA-North American Insulation Manufacturers Association

NIAC-National Insulation and Abatement Contractors

UL-Underwriters Laboratories

**Flexible Duct**

UL Standard 181 for Factory- Made Duct Materials and Air Duct Connectors

UL Fire Residence Directory

UL Gas and Oil Equipment Directory

NFPA Standard 90A

ADC Flexible Duct Performance & Installation Standards

ADC Standard FD- 72R1 (Thermal, Friction Loss, Acoustical and Leakage Performance)

ASTM E 477 (Acoustical Performance)

ASTM E 96 Water Vapor Transmission of Materials in Sheet Form

**Duct Liner**

NFPA Standard 90A - Installation of Air Conditioning and Ventilating Systems

NFPA Standard 90B - Installation of Residence Type Warm Air Heating and Air Conditioning Systems

ASTM Standard C 1071, Standard Specifications for Thermal and Acoustical Insulation (Mineral Fiber, Duct Lining Material)

ASTM C 167 - Thickness and Density of Blanket- or Batt- Type Thermal Insulating Materials

ASTM C 553 - Mineral Fiber Blanket and Felt Insulation (Moisture Absorption)

ASTM E 84 - Test for Surface Burning Characteristics of Building Materials

ASTM C 423 - Absorption of Acoustical Materials in Reverberation Rooms

ASTM C 916 - Specification for Adhesive for Duct Thermal Insulation (Flammability, smoke development, bond strength, flash point, moisture and temperature effects, edge burning characteristics)

ASHRAE Handbook - Application Volume (Sound and Vibration Control)

ACGIH - Threshold Limited Values

Mil Spec A- 3316B - Insulation Adhesives

NAIMA - Fibrous Glass Duct Liner Standard

**Underground Duct**

Ducts in Concrete Slabs or Under Slabs

1. ACCA Manual No. 4, "Installation Techniques for Perimeter Heating and Cooling."
2. ASHRAE Systems Handbook
3. Publication 838, National Academy of Sciences National Research Council, (FHA Criteria and Test Procedures for Combustible Materials Used for Warm Air Ducts Encased in Concrete Slab Floors).
4. Minimum Property Standards, HAD, Section 615
5. ASTM Standard C- 462, Ceramic Tile Pipe
6. ASTM Standard C- 428, Asbestos Cement Pipe
7. ASTM Standard C- 14, Concrete Pipe
8. American Hot Dip Galvanizers Association Articles (based on National Bureau of Standards Tests and California Division of Highways method of Estimating Service Life).

References for Galvanized Steel in Soils

1. Zinc: Its Corrosion Resistance, The Zinc Institute
2. American Hot Dip Galvanizers Association Articles (based on National Bureau of Standards Tests and California Division of Highways method of Estimating Service Life).

*For loads on ditch conduits the following references are useful:*

- A) Section 25, Culverts, Structural Engineering Handbook, Gaylord and Gaylord, McGraw- Hill (See valuable references therein also).
- B) ASTM Standard D- 2487 (Unified Soil Classification)
- C) ASTM D- 2412 (Stiffness of Flexible Pipe)
- D) Underground Pipelines, Chapter 10, Tubular Steel Structure - Theory and Design, James F. Lincoln Arc Welding Foundation (Professor M. S. Troitsky, Concordia University, Montreal, author)



## **NOTICE TO USERS OF THIS PUBLICATION**

### **1. ACCEPTANCE**

This document or publication is prepared for voluntary acceptance and use within the limitations of application defined herein, and otherwise as those adopting it or applying it deem appropriate. It is not a safety standard. Its application for a specific project is contingent on a designer or other authority defining a specific use. SMACNA has no power or authority to police or enforce compliance with the contents of this document or publication and it has no role in any representations by other parties that specific components are, in fact, in compliance with it.

### **2. AMENDMENTS**

The Association may, from time to time, issue formal interpretations or interim amendments, which can be of significance between successive editions.

### **3. PROPRIETARY PRODUCTS**

SMACNA encourages technological development in the interest of improving the industry for the public benefit. SMACNA does not, however, endorse individual manufacturers or products.

### **4. FORMAL INTERPRETATION**

A formal interpretation of the literal text herein or the intent of the technical committee associated with the document or publication is obtainable only on the basis of written petition, addressed to the committee and sent to the Association's national office in Chantilly, Virginia, and subsequent receipt of a written response signifying the approval of the chairman of the committee. In the event that the petitioner has a substantive disagreement with the interpretation, an appeal may be filed with the Technical Resources Committee, which has technical oversight responsibility. The request must pertain to a specifically identified portion of the document that does not involve published text which provides the requested information. In considering such requests, the Association will not review or judge products or components as being in compliance with the document or publication. Oral and written interpretations otherwise obtained from anyone affiliated with the Association are unofficial. This procedure does not prevent any committee chairman, member of the committee, or staff liaison from expressing an opinion on a provision within the document, provided that such person clearly states that the opinion is personal and does not represent an official act of the Association in any way, and it should not be relied on as such. The Board of Directors of SMACNA shall have final authority for interpretation of this standard with such rules or procedures as they may adopt for processing same.

### **5. APPLICATION**

Any standards contained in this publication were developed using reliable engineering principles and research plus consultation with, and information obtained from, manufacturers, users, testing laboratories, and others having specialized experience. They are subject to revision as further experience and investigation may show is necessary or desirable. Construction and products which comply with these Standards will not necessarily be acceptable if, when examined and tested, they are found to have other features which impair the result contemplated by these requirements. The Sheet Metal and Air Conditioning Contractors' National Association and other contributors assume no responsibility and accept no liability for the application of the principles or techniques contained in this publication. Authorities considering adoption of any standards contained herein should review all federal, state, local, and contract regulations applicable to specific installations.

### **6. REPRINT PERMISSION**

Non-exclusive, royalty-free permission is granted to government and private sector specifying authorities to reproduce *only* any construction details found herein in their specifications and contract drawings prepared for receipt of bids on new construction and renovation work within the United States and its territories, provided that the material copied is unaltered in substance and that the reproducer assumes all liability for the specific application, including errors in reproduction.

### **7. THE SMACNA LOGO**

The SMACNA logo is registered as a membership identification mark. The Association prescribes acceptable use of the logo and expressly forbids the use of it to represent anything other than possession of membership. Possession of membership and use of the logo in no way constitutes or reflects SMACNA approval of any product, method, or component. Furthermore, compliance of any such item with standards published or recognized by SMACNA is not indicated by presence of the logo.



# **TABLE OF CONTENTS**

# TABLE OF CONTENTS

<b>COPYRIGHT NOTICE</b> .....	<b>II</b>
<b>FOREWORD</b> .....	<b>III</b>
<b>HVAC DUCT CONSTRUCTION STANDARDS COMMITTEE</b> .....	<b>IV</b>
<b>REFERENCES</b> .....	<b>V</b>
<b>NOTICE TO USERS</b> .....	<b>VI</b>
<b>TABLE OF CONTENTS</b> .....	<b>VII</b>
<b>LIST OF EDITION CHANGES</b> .....	<b>XIII</b>
<b>MODEL PROJECT SPECIFICATION</b> .....	<b>XV</b>
<b>CHAPTER 1 INTRODUCTION TO BASIC CONSTRUCTION</b>	
SYMBOLS FOR VENTILATION AND AIR CONDITIONING .....	1.1
1.1 DUCT SYSTEMS DESIGN .....	1.3
1.2 GENERAL PERFORMANCE REQUIREMENTS FOR ALL AIR DUCTS .....	1.3
1.3 PRESSURE VELOCITY CLASSIFICATION .....	1.4
1.4 SCOPE .....	1.4
1.5 REINFORCEMENT ARRANGEMENTS .....	1.4
DUCT PRESSURE CLASS DESIGNATION .....	FIGURE 1-1 1.5
PRESSURE CLASSIFICATION FOR DUCTWORK .....	TABLE 1-1 1.6
STATIC PRESSURE .....	TABLE 1-1S 1.6
1.6 DUCT CONSTRUCTION AND INSTALLATION STANDARDS .....	1.8
STANDARD DUCT SEALING REQUIREMENTS .....	TABLE 1-2 1.9
1.7 DUCT SEALING COMMENTARY .....	1.10
1.8 INTRODUCTION TO THE RECTANGULAR DUCT CONSTRUCTION SCHEDULES .....	1.12
READING GUIDE SUMMARY .....	1.15
1.9 RECTANGULAR DUCT REINFORCEMENT .....	1.17
1/2" WG RECTANGULAR DUCT REINFORCEMENT .....	TABLE 1-3 1.19
1" WG RECTANGULAR DUCT REINFORCEMENT .....	TABLE 1-4 1.21
2" WG RECTANGULAR DUCT REINFORCEMENT .....	TABLE 1-5 1.23
3" WG RECTANGULAR DUCT REINFORCEMENT .....	TABLE 1-6 1.25
4" WG RECTANGULAR DUCT REINFORCEMENT .....	TABLE 1-7 1.27
6" WG RECTANGULAR DUCT REINFORCEMENT .....	TABLE 1-8 1.29
10" WG RECTANGULAR DUCT REINFORCEMENT .....	TABLE 1-9 1.31



	INTERMEDIATE REINFORCEMENT .....	TABLE 1-10	1.33
	TRANSVERSE JOINT REINFORCEMENT .....	TABLE 1-11	1.35
	TRANSVERSE JOINT REINFORCEMENT .....	TABLE 1-12	1.37
	TRANSVERSE JOINT REINFORCEMENT .....	TABLE 1-13	1.39
1.10	TIE ROD INSTALLATIONS .....		1.41
1.11	COMMENTARY .....		1.42
	TIE ROD ATTACHMENTS .....	FIGURE 1-2	1.43
	TIE ROD ATTACHMENTS .....	FIGURE 1-3	1.44
	INTERNAL TIE ROD DESIGN LOAD IN POUNDS .....	TABLE 1-14	1.45
	INTERNAL TIE ROD SIZE (+) PRESSURE .....	TABLE 1-15	1.47
	INTERNAL TIE ROD SIZE (-) PRESSURE .....	TABLE 1-16	1.49
	INTERNAL RC CONDUIT SIZE (-) PRESSURE .....	TABLE 1-17	1.51
	INTERNAL EMT CONDUIT SIZE (-) PRESSURE .....	TABLE 1-18	1.53
	STEEL PIPE SIZE (-) PRESSURE .....	TABLE 1-19	1.55
	ALLOWABLE LOAD FOR ANGLES AS COLUMNS .....	TABLE 1-20	1.57
	WITH MAXIMUM UNBRACED LENGTH L		
1.12	COMMENTARY ON ALUMINUM DUCT .....		1.59
	RECTANGULAR ALUMINUM DUCT ADAPT FROM TABLES 1-21, 1-22, 1-23 ...		1.60
	3" WG (750 PA) OR LOWER		
	TRANSVERSE (GIRTH) JOINTS .....	FIGURE 1-4	1.62
1.13	TRANSVERSE JOINTS FOR RECTANGULAR DUCT .....		1.63
1.14	NOTES FOR .....	FIGURE 1-4	1.63
1.15	COMMENTS .....		1.65
	SPECIAL JOINT PROFILES .....	FIGURE 1-4A	1.66
1.16	LONGITUDINAL SEAM FOR RECTANGULAR DUCT .....		1.67
1.17	NOTES FOR .....	FIGURE 1-5	1.68
	LONGITUDINAL SEAMS-RECT. DUCT .....	FIGURE 1-5	1.68
	INSIDE STANDING SEAM-LONGITUDINAL-2" WG .....	FIGURE 1-6	1.69
	(500 PA) MAXIMUM		
	UNREINFORCED DUCT (WALL THICKNESS) .....	TABLE 1-24	1.70
	T-1 FLAT DRIVE JOINT ACCEPTED AS REINFORCEMENT ....	TABLE 1-25	1.72
	UNREINFORCED DUCT .....	FIGURE 1-7	1.74



CROSSBROKEN AND BEADED DUCT .....	FIGURE 1-8	1.75
DUCT REINFORCED ON TWO SIDES .....	FIGURE 1-9	1.76
DUCT REINFORCED ON ALL SIDES .....	FIGURE 1-10	1.77
REINFORCEMENT ATTACHMENT .....	FIGURE 1-11	1.78
DUCT OVER 120" (3048 MM) WIDE .....	FIGURE 1-12	1.79
CORNER CLOSURES SLIPS AND DRIVES .....	FIGURE 1-13	1.80
CORNER CLOSURES-FLANGES T-21 AND T-22 .....	FIGURE 1-14	1.81
CORNER CLOSURES-FLANGES T-24 AND T-25 .....	FIGURE 1-15	1.82
CORNER CLOSURES-STANDING SEAMS .....	FIGURE 1-16	1.83

**CHAPTER 2 FITTINGS AND OTHER CONSTRUCTION**

2.1	REQUIREMENTS .....	2.1
	TYPICAL SUPPLY OR RETURN DUCT .....	FIGURE 2-1 2.2
	RECTANGULAR ELBOWS .....	FIGURE 2-2 2.3
	RECTANGULAR ELBOWS (CONTINUED) .....	FIGURE 2-2 2.4
	VANES AND VANE RUNNERS .....	FIGURE 2-3 2.5
	VANE SUPPORT IN ELBOWS .....	FIGURE 2-4 2.6
	DIVIDED FLOW BRANCHES .....	FIGURE 2-5 2.7
	BRANCH CONNECTIONS .....	FIGURE 2-6 2.8
	OFFSETS AND TRANSITIONS .....	FIGURE 2-7 2.9
	OBSTRUCTIONS .....	FIGURE 2-8 2.10
	REMOTE HEATING AND COOLING COIL INSTALLATIONS .....	FIGURE 2-9 2.11
	DUCT ACCESS DOORS AND PANELS .....	FIGURE 2-10 2.12
	ACCESS DOORS-ROUND DUCT .....	FIGURE 2-11 2.14
2.2	VOLUME DAMPERS .....	2.15
2.3	NOTES FOR .....	FIGURES 2-12 AND 2-13 2.15
2.4	COMMENTARY .....	2.15
	VOLUME-DAMPERS SINGLE BLADE TYPE .....	FIGURE 2-12 2.16
	MULTIBLADE VOLUME DAMPERS .....	FIGURE 2-13 2.17
	GRILLE AND REGISTER CONNECTIONS .....	FIGURE 2-14 2.18
	CEILING DIFFUSER BRANCH DUCTS .....	FIGURE 2-15 2.19
	LINEAR DIFFUSER PLENUM .....	FIGURE 2-16 2.20
	FLEXIBLE CONNECTIONS AT FAN .....	FIGURE 2-17 2.21





	DISHWASHER VAPOR EXHAUST .....	FIGURE 2-18	2.22
2.5	HOODS .....		2.23
	FLEXIBLE DUCT LINER INSTALLATION .....	FIGURE 2-19	2.24
2.6	INSTALLATION STANDARDS FOR RECTANGULAR DUCTS USING FLEXIBLE LINER .....		2.25
2.7	COMMENTARY .....		2.26
	LINER FASTENERS .....	FIGURE 2-20	2.28
	OPTIONAL HAT SECTION .....	FIGURE 2-21	2.29
	DUCT LINER INTERRUPTION .....	FIGURE 2-22	2.30

### CHAPTER 3 ROUND, OVAL, AND FLEXIBLE DUCT

3.1	ROUND DUCT CONSTRUCTION STANDARDS .....		3.1
	MITERED ELBOWS .....	TABLE 3-1	3.2
3.2	COMMENTARY .....		3.2
	ROUND DUCT GAGE UNREINFORCED POSITIVE PRESSURE .	TABLE 3-2A	3.3
	ROUND DUCT GAGE NEGATIVE PRESSURE .....	TABLE 3-2B	3.5
	ALUMINUM ROUND DUCT GAGE SCHEDULE .....	TABLE 3-3	3.7
	SEAMS ROUND DUCT AND FITTINGS .....	FIGURE 3-1	3.8
	TRANSVERSE JOINTS-ROUND DUCT .....	FIGURE 3-2	3.9
	ROUND DUCT ELBOWS .....	FIGURE 3-3	3.10
	90 DEGREES TEES AND LATERALS .....	FIGURE 3-4	3.11
	CONICAL TEES .....	FIGURE 3-5	3.12
3.3	FLAT OVAL DUCT CONSTRUCTION STANDARDS .....		3.13
3.4	COMMENTARY .....		3.13
	FLAT OVAL DUCT CONSTRUCTION .....	TABLE 3-4	3.13
	FLAT OVAL DUCTS .....	FIGURE 3-6	3.14
3.5	FLEXIBLE DUCT INSTALLATION STANDARDS .....		3.15
	TYPES OF FLEXIBLE DUCT .....	FIGURE 3-7	3.16
3.6	SPECIFICATION FOR JOINING AND ATTACHING FLEXIBLE DUCT .....		3.17
3.7	SPECIFICATION FOR SUPPORTING FLEXIBLE DUCT .....		3.19
	FLEXIBLE DUCT SUPPORTS .....	FIGURE 3-9	3.20
	FLEXIBLE DUCT SUPPORTS .....	FIGURE 3-10	3.21
3.8	COMMENTARY .....		3.22



3.9	UNDERGROUND DUCT CONSTRUCTION STANDARDS .....	3.23
	TYPICAL UNDERSLAB DUCTS .....	FIGURE 3-11 3.24
	ANCHORS FOR DUCT ENCASEMENT .....	FIGURE 3-12 3.25
3.10	COMMENTARY .....	3.26

**CHAPTER 4 HANGERS AND SUPPORTS**

4.1	HANGING AND SUPPORTING SYSTEMS .....	4.1
4.2	COMMENTARY .....	4.1
	HANGER ATTACHMENTS TO STRUCTURES .....	FIGURE 4-1 ... 4.3
	UPPER ATTACHMENT DEVICES-TYPICAL .....	FIGURE 4-2 ... 4.4
	UPPER ATTACHMENTS-TYPICAL .....	FIGURE 4-3 ... 4.5
	RECTANGULAR DUCT HANGERS MINIMUM SIZE .....	TABLE 4-1 4.6
	MINIMUM HANGER SIZES FOR ROUND DUCT .....	TABLE 4-2 4.8
	LOWER HANGER ATTACHMENTS .....	FIGURE 4-4 4.9
	ALLOWABLE LOADS FOR TRAPEZE BARS .....	TABLE 4-3 4.10
	TRAPEZE LOAD DIAGRAM .....	FIGURE 4-4 4.12
	LARGE DUCT SUPPORT .....	FIGURE 4-6 4.13
	RISER SUPPORTS FROM-FLOOR .....	FIGURE 4-7 4.14
	SUPPORTS FROM WALL .....	FIGURE 4-8 AND TABLE 4-4 4.16
	RISER SUPPORT FROM-FLOOR .....	FIGURE 4-9 4.18
	HVAC UNIT SUSPENSION .....	FIGURE 4-10 4.19

**CHAPTER 5 EXTERIOR COMPONENTS**

5.1	INTRODUCTION .....	5.1
	LOUVERS AND SCREENS .....	FIGURE 5-1 5.2
	LOUVER FREE AREA CALCULATION .....	FIGURE 5-2 5.4
5.2	ROOFTOP EQUIPMENT INSTALLATION .....	5.5
5.3	COMMENTARY .....	5.5
	ROOFTOP DUCT INSTALLATION .....	FIGURE 5-3 5.6
	EQUIPMENT AND DUCT SUPPORT FLASHING .....	FIGURE 5-4 5.7
	RECTANGULAR GOOSENECK .....	FIGURE 5-5 5.8
	INTAKE OR EXHAUST VENTILATORS .....	FIGURE 5-6 5.9
	LARGE INTAKE OR EXHAUST VENTILATORS .....	FIGURE 5-7 5.10



## CHAPTER 6 EQUIPMENT AND CASINGS

6.1	CASING AND PLENUM CONSTRUCTION STANDARDS	6.1
	BUILT UP STANDING SEAM CASING	FIGURE 6-1 6.2
	STANDING SEAM CASINGS	FIGURE 6-2 6.4
	ALTERNATE CASING CONSTRUCTION	FIGURE 6-3 6.5
	ALTERNATE CASING PANELS	TABLE 6-1 6.6
	OVER 2" WG CASING ARRANGEMENT	FIGURE 6-4 6.8
	OVER 2" WG PRESSURE APPARATUS CASING	FIGURE 6-5 6.9
	INSIDE SEAM CASING-6" WG (1500 PA) MAX.	FIGURE 6-6 6.11
	DOUBLE WALL CASING	FIGURE 6-7 6.12
	CURB DETAIL	FIGURE 6-8 6.13
	ELIMINATORS AND DRAIN PANS	FIGURE 6-9 6.14
	PIPE PENETRATIONS OF CASINGS	FIGURE 6-10 6.15
	CASING ACCESS DOORS-2" WG (500 PA)	FIGURE 6-11 6.16
	PLENUM AND CASING ACCESS DOORS-2" WG	TABLE 6-2 6.17
	CASING ACCESS DOORS 3-10" WG (750-2500 PA)	FIGURE 6-12 6.18
6.2	COMMENTARY	6.19
6.3	CASING ARRANGEMENT	6.19

## CHAPTER 7 FUNCTIONAL CRITERIA

7.1	FUNCTIONAL CRITERIA FOR DUCTS	7.1
7.2	RECTANGULAR DUCTS	7.1
7.3	COMMENTARY	7.2
	MODELS FOR FUNCTIONAL STANDARDS	FIGURE 7-1 7.3
	TEST DUCT CONFIGURATION	FIGURE 7-2 7.4
	DEFLECTION AND LEAKAGE MEASUREMENT	FIGURE 7-3 7.5
	DUCT PERFORMANCE TEST STANDARD NO. DPTS-1995	7.6
7.4	PROCEDURE FOR RATING DUCT CONSTRUCTION METHODS	7.9
	RELATIVE TO THE SMACNA CONSTRUCTION TABLES	
7.5	NOTES ON SPECIMEN TESTING	7.9
7.6	NOISE AND VIBRATION	7.11
	TEST APPARATUS	FIGURE 7-4 7.12
	OSCILLOGRAPH TRACES	FIGURE 7-5 7.16

RELATIVE VIBRATION OF VARIOUS DUCTS .....	7.18
---	------

**APPENDICES**

GALVANIZED SHEET THICKNESS TOLERANCE .....	A.2
MANUFACTURERS STANDARD GAGE–THICKNESS–UNCOATED STEEL .....	A.3
STAINLESS STEEL SHEET THICKNESS .....	A.4
ALUMINUM SHEET THICKNESS–ALLOY 3003–H14 .....	A.5
METRIC CONVERSION CHART .....	A.6
DUCT SURFACE AREA IN SQUARE FEET PER LINEAL FOOT .....	A.7
GALVANIZED SHEET WEIGHT .....	A.8
APPROXIMATE WEIGHT–ROUND DUCT IN POUNDS PER LINEAL FOOT .....	A.10
AREA AND CIRCUMFERENCE OF CIRCLES .....	A.11
ANGLE, BAR AND CHANNEL PROPERTIES .....	A.12
2" WG NARROWSCOPE DUCT CONSTRUCTION .....	TABLE 1–5 E4 A.13
2" WG NARROWSCOPE DUCT CONSTRUCTION .....	TABLE 1–5 E5 A.14
1" WG NARROWSCOPE DUCT CONSTRUCTION .....	TABLE 1–4 E4 A.15
1" WG NARROWSCOPE DUCT CONSTRUCTION .....	TABLE 1–4 E5 A.16
TABLE 1–3, 1–4, AND 1–5 AS COMPOSITE .....	A.17
CONTRACTOR'S ANALYSIS OF SHOP STANDARDS .....	A.19
SAMPLE SHOP STANDARDS FOR 2" WG PRESSURE CLASS .....	A.20
SAMPLE SHOP STANDARDS .....	A.21
DEPENDENT VARIABLES .....	A.22
26 GAGE DUCT REINFORCEMENT .....	A.23
24 GAGE DUCT REINFORCEMENT .....	A.24
22 GAGE DUCT REINFORCEMENT .....	A.25
20 GAGE DUCT REINFORCEMENT .....	A.26
18 GAGE DUCT REINFORCEMENT .....	A.27
16 GAGE DUCT REINFORCEMENT .....	A.28
SINGLE PATH AIR SYSTEMS FIGURE .....	A.29
DUAL PATH AIR SYSTEMS FIGURE .....	A.30
TERMINOLOGY FOR CENTRAL STATION APPARATUS FIGURE .....	A.31
TYPICAL HVAC UNIT CONNECTIONS FIGURE .....	A.32
MOTOR ARRANGEMENTS FIGURE .....	A.33



FAN ROTATION AND DISCHARGE POSITIONS FIGURE ..... A.34  
TYPICAL BELT GUARDS FIGURE ..... A.35  
TYPICAL ISOLATION DEVICES FIGURE ..... A.36  
RADIATION PROTECTION AT WALL OPENINGS FOR DUCT OR PIPE ..... A.37  
RADIATION PROTECTION AT WALL OPENINGS FIGURE ..... A.39  
RADIATION PROTECTION AT WALL OPENINGS FIGURE ..... A.40  
NUMBER OF SHORT RADIUS VANES FIGURE ..... A.41  
CONSTRUCTION OF SHORT RADIUS VANES FIGURE ..... A.43  
CONTRIBUTORS TO PRECEDING DOCUMENTS ..... A.44



## LIST OF MAJOR CHANGES FROM THE FIRST EDITION

1. A list of duct manuals and standards that this edition supersedes is provided in Appendix A- 44.
2. Metrics are included.
3. Illustrations were prepared in AutoCAD® Version 12, but following an industry survey revealing limited interest, disks are not available initially.
4. The text was edited to be more reader friendly and reading aids were added.
5. Chapter 7 was revised to facilitate use by those interested in equivalent and comparable tests and ratings.
6. A model project specification for adoption of the second edition was added.
7. Table 1-1 now features static pressure only as the basis for duct construction classification; velocity levels were deleted. The default-to-one-inch-pressure-class (250 Pa) provisions were retained in case designers do not give construction pressure classes.
8. Predicted leakage rates in unsealed ducts were omitted. Advice to consult the SMACNA *HCVA Air Duct Leakage Test Manual* was entered. The *ASHRAE Fundamentals Handbook* chapter on duct design and the *SMACNA HVAC Duct Systems Design Manual* contain additional information on evaluating duct leakage. ASHRAE's energy conservation Standard 90.1 also has a useful perspective on sealing and leakage testing.
9. Reminders to designers to show all required fire, smoke, radiation and volume control dampers on contract drawings are accented.
10. Boiler breeching was omitted because mechanical codes and other specifications too often override the SMACNA details.
11. Volume damper construction is now more specific.
12. Lead radiation shielding is added in the appendix courtesy of the Lead Industries Association.

13. Air terminal runouts and supports are revised.

### KEY RECTANGULAR DUCT REVISIONS

14. Negative pressure construction is now given in 4", 6", and 10" wg (1000, 1500, and 2500 Pascal) ranges.
15. Six feet (1.8 meter) reinforcement schedules are added.
16. Reinforcement schedules were extended to 120" (3000 mm) width.
17. Tie rod alternatives are greatly expanded for both positive and negative pressures; however, tie rod use at mid-panel in lieu of external reinforcement is not yet standardized and is in "further study" status.
18. TDC® and TDF® joint systems are now rated as T-25a and T-25b joints. Laboratory tests were conducted by SMACNA. A T-24a joint was added as a modification of T-24.
19. Structural engineers assisted SMACNA in rerating joints and reinforcements based on minimum thickness rather than nominal thickness. The EI index and ratings were changed to focus more on effective EI and allowable bending moments.
20. The use of 26 gage (0.55 millimeters) was added for 4", 6" and 10" wg and expanded somewhat at lower pressures.
21. Trapeze hangar tables were expanded to cover the 120" (3 m) width range, with hanger rods 3" (76 mm) from duct sides in the 97" to 120" range.
22. The duct liner pin schedule was adjusted to be different for folded liner comers than for butted condition.
23. Infrequently used joints T-4, 8, 17, 18, 19, 20 and 23 were omitted; however, the text mentions that they may still be considered under first edition conditions.

### KEY ROUND, FLEXIBLE AND OVAL DUCT REVISIONS

24. Duct pressure classes were revised to be positive and negative at 2", 4" and 10" wg. (500,



1000 and 2500 Pa) levels with a nominal safety factor of two.

25. Designer options of specifying fittings by class (all-welded, spot or tack welded, seamed or rivet, screw or die-stamp locked) were inserted for sealed or unsealed specification in the event that allowable leakage specifications do not otherwise regulate this.
26. Crimped joint connection length was changed from 1" to 2" (51 mm).
27. Rectangular branch taps into round were added for straight or 45° lead-in entry.
28. Ribbed forms of round duct are not yet standardized, but may be considered under

equivalent performance-alternative-provisions.

29. Based on an ASHRAE test program Type 1 reinforcement of oval duct now has an internal tie rod.
30. Maximum support spacing for round flexible duct and connector was changed from 10' to 5' (1.5 meters).
31. Additional riser support diagrams are provided.
32. Hold-down anchor spacings are given for round duct to be encased in concrete.



**1.0 DUCT CONSTRUCTION**

**NOTES FOR SPECIFIER**

Ductwork and supports shall conform to the *HVAC Duct Construction Standards, Metal, and Flexible, Second Edition, 1995*. Where fittings of configurations not shown in the HVAC–DCS are shown on the contract drawings, they shall be constructed as though they were therein.

**1.1 DUCT DIMENSIONS**

Duct dimensions shown on the contract drawings are for airflow area. When ducts are accoustically lined, their dimensions shall be increased as necessary.

**1.2 DUCT PRESSURE CLASS**

Duct pressure classes are identified on the contract drawings.

*Schedule the pressure classes here by fan system number, or portion thereof, if they are ot shown on the drawings*

**1.3 DUCT SEAL CLASS**

Ducts shall be sealed as specified in the HVAC- DCS

*Review DCS pages 1- 7 to 1- 9.*

**1.4 DUCT LEAKAGE CLASS**

*Consult the HVAC- Air Duct Leakage Test Manual and select appropriate allowable leakage. If field leak tests are required, appropriate test pressures and clear scope of testing must be specified.*

**1.5 DUCT LINER**

Metal nosing shall be used on leading edges of each piece of lined duct when the velocity exceeds 4000 fpm ( 20.3 m/s) otherwise, it shall be used on the leading edge of any lined duct section that is preceded bt unlined duct.

*See duct liner text and references in the HVAC–DCS and specify the material, thickness, density, and performance characteristics desired.*

**1.6 FLEXIBLE DUCT AND CONNECTOR**

Where the specifications for connecting and supporting these in the HVAC–DCS are more stringent or restrictive, they shall supersede.

*Consult the applicable codes, The U.L. Fire Resistance Directory, references in the HVAC–DCS, the Air Diffusion Council’s Flexible Air Duct Performance and Installation Standards and identify the products and performance characteristics desired.*

**1.7 VIBRATION ISOLATION CONNECTORS**

Flexible isolation connectors shall not exceed 10 inches in length in direction of airflow and shall be made of flame retardant fabric having a flame spread rating not over 25 and a smoke developed rating not over 50.





## 1.8 PROPRIETARY PRODUCTS

Description of products from a proprietary or single-source manufacturer shall be submitted for approval along with substantiation of fitness for the service conditions that are proposed but not already identified in the project specifications.

*Consult the SMACNA Fire, Smoke, and Radiation Damper Guide and local codes for obligations to show the location of each barrier penetration protection device on contract drawing. Review the commentary in Section 2.3 of these standards for obligations to show all air volume control devices on the contract drawings when they are not specified to be integral with hvac units or air terminal units. Also specify the size and location of all access doors and access panels to be used in ductwork.*



**CHAPTER 1**

**INTRODUCTION TO BASIC  
CONSTRUCTION**

SYMBOL MEANING	SYMBOL	SYMBOL MEANING	SYMBOL
POINT OF CHANGE IN DUCT CONSTRUCTION (BY STATIC PRESSURE CLASS)		SUPPLY GRILLE (SG)	
DUCT (1ST FIGURE, SIDE SHOWN 2ND FIGURE, SIDE NOT SHOWN)		RETURN (RG) OR EXHAUST (EG) GRILLE (NOTE AT FLR OR CLG)	
ACOUSTICAL LINING DUCT DIMENSIONS FOR NET FREE AREA		SUPPLY REGISTER (SR) (A GRILLE + INTEGRAL VOL. CONTROL)	
DIRECTION OF FLOW		EXHAUST OR RETURN AIR INLET CEILING (INDICATE TYPE)	
DUCT SECTION (SUPPLY)		SUPPLY OUTLET. CEILING, SQUARE (TYPE AS SPECIFIED) INDICATE FLOW DIRECTION	
DUCT SECTION (EXHAUST OR RETURN)		SUPPLY OUTLET. CEILING, SQUARE (TYPE AS SPECIFIED) INDICATE FLOW DIRECTION	
INCLINED RISE (R) OR DROP (D) ARROW IN DIRECTION OF AIR FLOW		TERMINAL UNIT. (GIVE TYPE AND OR SCHEDULE)	
TRANSITIONS: GIVE SIZES. NOTE F.O.T. FLAT ON TOP OR F.O.B. FLAT ON BOTTOM IF APPLICABLE		COMBINATION DIFFUSER AND LIGHT FIXTURE	
STANDARD BRANCH FOR SUPPLY & RETURN (NO SPLITTER)		DOOR GRILLE	
WYE JUNCTION		SOUND TRAP	
VOLUME DAMPER MANUAL OPERATION		FAN & MOTOR WITH BELT GUARD & FLEXIBLE CONNECTIONS	
AUTOMATIC DAMPERS MOTOR OPERATED		VENTILATING UNIT (TYPE AS SPECIFIED)	
ACCESS DOOR (AD) ACCESS PANEL (AP)		UNIT HEATER (DOWNBLAST)	
FIRE DAMPER: SHOW ◀ VERTICAL POS. SHOW ◆ HORIZ. POS.		UNIT HEATER (HORIZONTAL)	
SMOKE DAMPER		UNIT HEATER (CENTRIFUGAL FAN) PLAN	
FIRE & SMOKE DAMPER - SMOKE DAMPER - RADIATION DAMPER -		THERMOSTAT	
TURNING VANES		POWER OR GRAVITY ROOF VENTILATOR - EXHAUST (ERV)	
FLEXIBLE DUCT FLEXIBLE CONNECTION		POWER OR GRAVITY ROOF VENTILATOR - INTAKE (SRV)	
GOOSENECK HOOD (COWL)		POWER OR GRAVITY ROOF VENTILATOR - LOUVERED	
BACK DRAFT DAMPER		LOUVERS & SCREEN	

### SMACNA SYMBOLS FOR VENTILATION & AIR CONDITIONING



SYMBOL MEANING	SYMBOL	SYMBOL MEANING	SYMBOL
POINT OF CHANGE IN DUCT CONSTRUCTION (BY STATIC PRESSURE CLASS)		SUPPLY GRILLE (SG)	
DUCT (1ST FIGURE, SIDE SHOWN 2ND FIGURE, SIDE NOT SHOWN)		RETURN (RG) OR EXHAUST (EG) GRILLE (NOTE AT FLR OR CLG)	
ACOUSTICAL LINING DUCT DIMENSIONS FOR NET FREE AREA		SUPPLY REGISTER (SR) (A GRILLE + INTEGRAL VOL. CONTROL)	
DIRECTION OF FLOW		EXHAUST OR RETURN AIR INLET CEILING (INDICATE TYPE)	
DUCT SECTION (SUPPLY)		SUPPLY OUTLET. CEILING, SQUARE (TYPE AS SPECIFIED) INDICATE FLOW DIRECTION	
DUCT SECTION (EXHAUST OR RETURN)		SUPPLY OUTLET. CEILING, SQUARE (TYPE AS SPECIFIED) INDICATE FLOW DIRECTION	
INCLINED RISE (R) OR DROP (D) ARROW IN DIRECTION OF AIR FLOW		TERMINAL UNIT. (GIVE TYPE AND OR SCHEDULE)	
TRANSITIONS: GIVE SIZES. NOTE F.O.T. FLAT ON TOP OR F.O.B. FLAT ON BOTTOM IF APPLICABLE		COMBINATION DIFFUSER AND LIGHT FIXTURE	
STANDARD BRANCH FOR SUPPLY & RETURN (NO SPLITTER)		DOOR GRILLE	
WYE JUNCTION		SOUND TRAP	
VOLUME DAMPER MANUAL OPERATION		FAN & MOTOR WITH BELT GUARD & FLEXIBLE CONNECTIONS	
AUTOMATIC DAMPERS MOTOR OPERATED		VENTILATING UNIT (TYPE AS SPECIFIED)	
ACCESS DOOR (AD) ACCESS PANEL (AP)		UNIT HEATER (DOWNBLAST)	
FIRE DAMPER: SHOW —▲ VERTICAL POS. SHOW —◆ HORIZ. POS.		UNIT HEATER (HORIZONTAL)	
SMOKE DAMPER		UNIT HEATER (CENTRIFUGAL FAN) PLAN	
FIRE & SMOKE DAMPER -		THERMOSTAT	
SMOKE DAMPER - RADIATION DAMPER -		POWER OR GRAVITY ROOF VENTILATOR - EXHAUST (ERV)	
TURNING VANES		POWER OR GRAVITY ROOF VENTILATOR - INTAKE (SRV)	
FLEXIBLE DUCT FLEXIBLE CONNECTION		POWER OR GRAVITY ROOF VENTILATOR - LOUVERED	
GOOSENECK HOOD (COWL)		LOUVERS & SCREEN	
BACK DRAFT DAMPER			

## SMACNA SYMBOLS FOR VENTILATION & AIR CONDITIONING

### 1.1 DUCT SYSTEMS DESIGN

A duct system is an assembly whose primary function is to convey air between specified points. ASHRAE categorizes duct systems as either single path or dual path. Systems should be designed using accepted engineering practice and data such as that in the four ASHRAE Handbooks and the SMACNA *HVAC Duct Systems Design* manual. A duct system may contain ducts under positive and negative pressure. Air velocities will vary within the system. At coils and filters, the velocity may vary from below 1000 fpm (5.08 m/s) to over 3000 fpm (15.24 m/s). Velocity in duct mains and branches can be at constant (high or low) or varying levels. With the many available systems sizing methods (*e.g.*, equal friction, static regain, velocity reduction, total pressure) and system types, performance cannot be economically optimized unless the designer selects construction details appropriate for the given pressure and velocity.

Generally speaking, duct strength, deflection, and leakage are more functions of pressure than of velocity. In conventional systems, noise, vibration, and friction loss are more related to velocity than to pressure.

Because total pressure is less downstream than upstream, a duct construction pressure classification equal to the fan outlet pressure (or to the fan total static pressure rating) cannot economically be imposed on the entire duct system.

Pressure in ducts near room air terminals is nearly always below 1/2" water gage (125 Pa).

For a clear interpretation of requirements for ducts and for economical attainment of performance objectives, it is **ESSENTIAL THAT CONTRACT PLANS IDENTIFY THE PORTION OF EACH DUCT SYSTEM TO BE CONSTRUCTED FOR A PARTICULAR PRESSURE CLASSIFICATION OR THAT THE ENTIRE SYSTEM BE ASSIGNED A PRESSURE CLASSIFICATION.**

### 1.2 GENERAL PERFORMANCE REQUIREMENTS FOR ALL AIR DUCTS

In fulfilling the function of moving air, the duct assembly must satisfy certain fundamental performance

criteria. Elements of the assembly are sheets, reinforcements, seams, and joints. Theoretical and/or practical limits for the following criteria must be considered for the duct assembly and its elements.

1. Dimensional stability (shape deformation and strength).
2. Containment of the air being conveyed (leakage control).
3. Vibration (fatigue and appearance).
4. Noise (generation, transmission, or attenuation).
5. Exposure (to damage, weather, temperature extremes, flexure cycles, wind, corrosive atmospheres, biological contamination, flow interruption or reversal, underground or other encasement conditions, combustion, or other in-service conditions).
6. Support (alignment and position retention).
7. Seismic restraint.
8. Thermal conductivity (heat gain or loss and condensation control).

In establishing limitations for these factors, consideration must be given to effects of the pressure differential across the duct wall, airflow friction losses, air velocities, infiltration or exfiltration, as well as the inherent strength characteristics of the duct components. Construction methods that economically achieve the predicted and desired performance must be determined and specified. To the extent that functional requirements for ducts are not identified by test or rating criteria, the construction details here represent acceptable practice in the industry except in special service conditions. Where other construction details are needed to meet the special needs of a particular system design, the designer should comply with appropriate construction standards.

### 1.3 PRESSURE-VELOCITY CLASSIFICATION

The terms “low” and “high” as applied to velocity and pressure are vague and are no longer used. The designer must select a numerical static pressure class or classes which satisfy the requirements of the particular system. Table 1–1S defines operating pressure in relation to duct pressure class.

### 1.4 SCOPE

The construction described in this manual is related to heating, cooling, ventilating, and air conditioning systems.

Although some detail and discussion of hood exhaust and dishwasher exhaust is included, systems carrying particulate, corrosive fumes, or flammable vapors or systems serving industrial processes are not covered. However, some detail here may be suitable for such service. Duct systems for residences are not ordinarily subject to the provisions in this document. NFPA Standard 90B, the SMACNA *Installation Standards for Heating, Air Conditioning and Solar Systems*, the *One and Two Family Dwelling Code*, and local codes normally have provisions for construction of ducts with different details and service than those shown here.

### 1.5 REINFORCEMENT ARRANGEMENTS

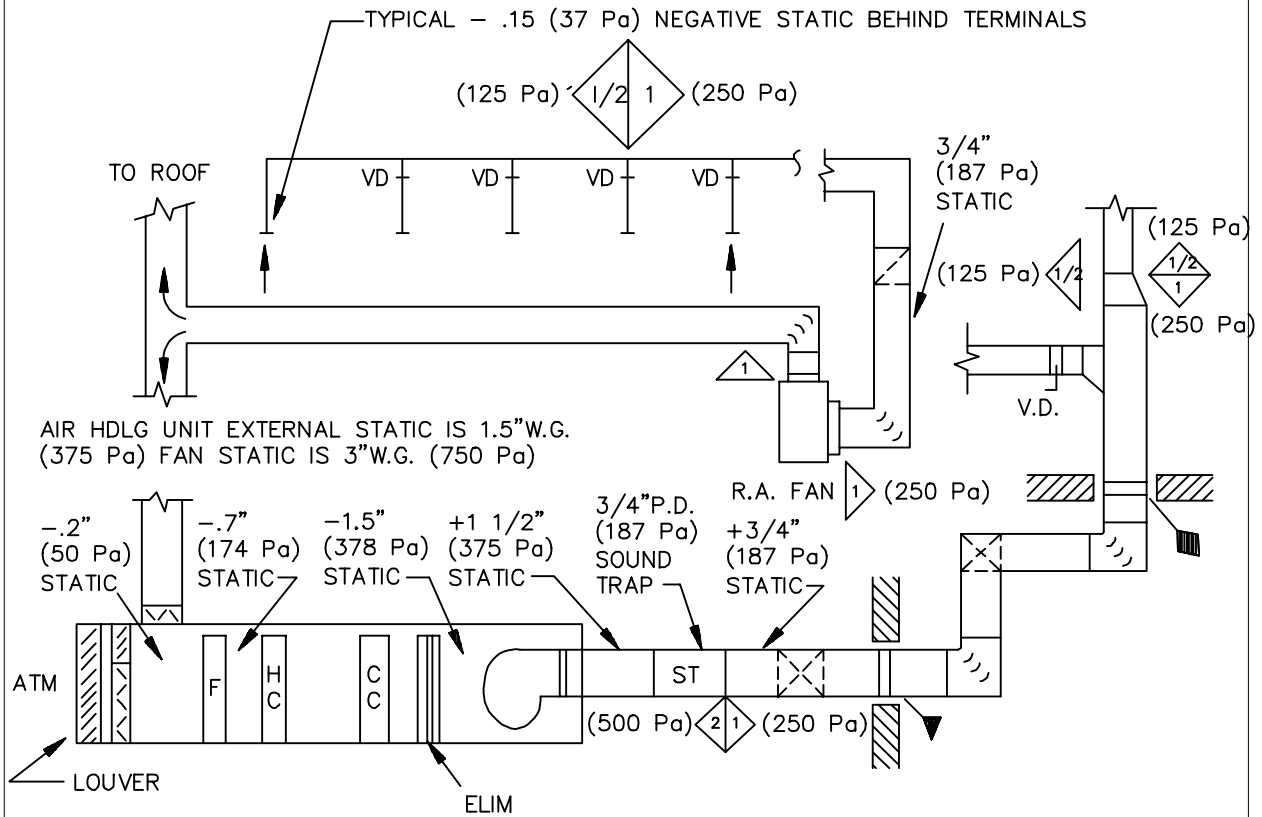
The basic elements of duct construction consist of duct wall(s), transverse joints, and reinforcements at, or between, joints and supports. All of these form an

integrated combination for each pressure class and duct size. Each size in a pressure class has a minimum duct wall thickness and a minimum specification for joints, reinforcements, etc. An element from a higher pressure class or larger duct size may be substituted in a construction of a lower pressure class or smaller duct size. This is generally acceptable because the substituted element will exceed the minimum requirements. However, using some oversized elements does not justify underdesigning other elements in the composite assembly unless the overall resulting construction can be shown to meet the minimum standards.

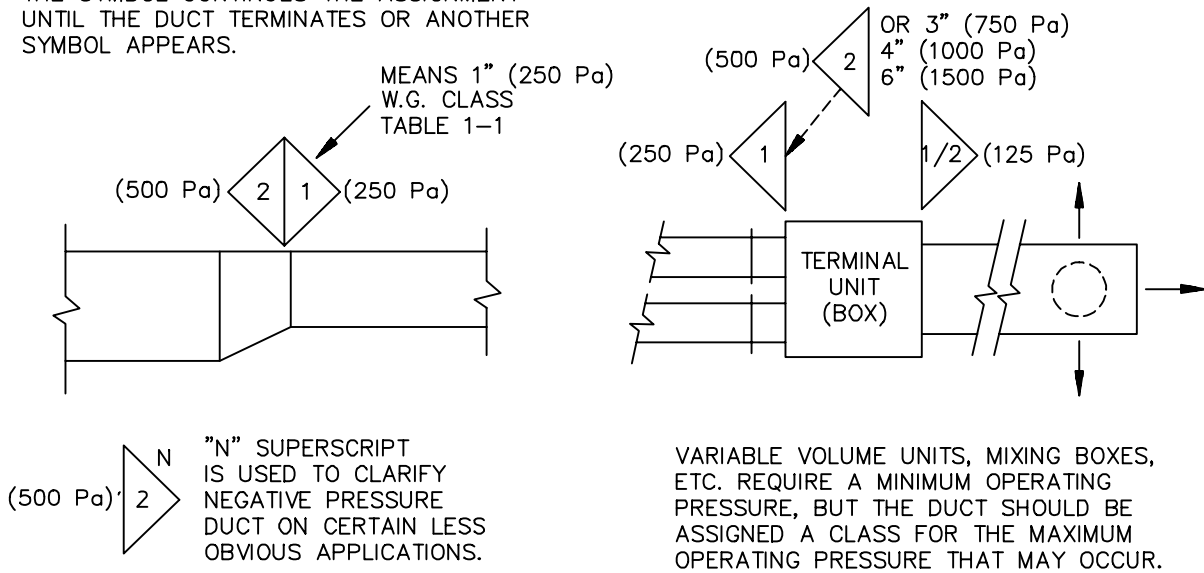
For example, substituting a stronger reinforcement member does not necessarily permit a larger reinforcement interval; the minimum requirements for each element in the system must continue to be met. For certain duct widths and reinforcement intervals, duct wall deflection is not affected by the strength and rigidity of joints or reinforcements.

The designer must apply construction standards appropriate for the requirements and scope of each project. Fabricators and installers must select features from the joint, seam, reinforcement, and support options that will result in a composite assembly that will conform to the performance criteria identified in this manual. Experience in construction is valuable; no book can provide all the detail and knowledge necessary to select, fabricate, and install a workable assembly. Careless selection and poor workmanship weaken construction integrity. However, the contractor’s obligation to make suitable selections does not mean the contractor must make up for the designer who writes a negligent specification.

SAMPLE SITUATION WITH A TERMINAL REQUIRING .15" (37 Pa) STATIC, A BRANCH DAMPER REQUIRING .15" (37 Pa) STATIC, DUCT DESIGNED FOR .1" LOSS/100 FT (25 Pa/30 m) AND FITTING LOSSES EQUAL TO STRAIGHT DUCT LOSS THE CIRCUIT CAN BE 100 L.F. (30 m) LONG BEFORE 1/2" (125 Pa) LOSS IS EXCEEDED.



THE NUMBER ASSIGNS PRESSURE CLASS WHICH WILL ACCOMODATE MAXIMUM OPERATING PRESSURE IN THE DUCT SUBSECTION. THE SYMBOL CONTINUES THE ASSIGNMENT UNTIL THE DUCT TERMINATES OR ANOTHER SYMBOL APPEARS.



**FIGURE 1-1 DUCT PRESSURE CLASS DESIGNATION**

**TABLE 1-1  
PRESSURE CLASSIFICATION  
FOR DUCTWORK**

STATIC PRESSURE CLASS [INCHES (Pa) WG]	+1/2"	-1/2"	+1"	-1"	+2"	-2"	+3"	-3"	+4"	-4"	+6"	-6"	+10"	-10"
Rectangular Style	A	A	STD	STD	STV	A	A	A	A	A	A	A	A	A
Round Style					STV	STD			A	A			A	A
Flat Oval Style			STD		STV		A		A		A			
Flexible Style	A	A	STD	STD	STV		A		A		A		A	

**NOTES FOR TABLE 1-1:**

1. "STD" denotes standard (nonvariable volume) air duct construction requirements (regardless of actual velocity level) for compliance with this document for all cases in which the designer does not designate the pressure classification for the duct system independent of fan static rating. "STV" denotes the standard construction classification for variable volume ducts for compliance with this document when the designer does not designate a class for this application. See S1.4 on Page 1-8.
2. "A" denotes other pressure classes for which construction or installation details are given in this document and are AVAILABLE for designation in contract documents prepared by designers.
3. See Section S1.9 for sealing requirements related to duct pressure class.
4. The pressure class number in Tables 1-1 and 1-1S denotes construction suitable for a maximum level not less than the maximum operating pressure in the portion of the system receiving the classification from the designer.

Text references for ducts:

- a. Rectangular ..... page 1-12
- b. Round ..... page 3-2
- c. Flat oval ..... page 3-13
- d. Flexible ..... page 3-15
- e. Duct liner ..... page 2-24

**TABLE 1-1S  
STATIC PRESSURE**

Duct Pressure Class		Operating Pressure
(in.)	(Pa)	
1/2" wg	125	Up to 1/2" wg
1" wg	250	Over 1/2" up to 1" wg
2" wg	500	Over 1" up to 2" wg
3" wg	750	Over 2" up to 3" wg
4" wg	1000	Over 3" up to 4" wg
6" wg	1500	Over 4" up to 6" wg
10" wg	2500	Over 6" up to 10" wg

5. Designer selection of duct construction pressure class is acknowledgment of acceptable design velocity level and pressure level including any overpressure or underpressure conditions that may occur during normal and special modes of operation.
6. The designation of a pressure class pertains to straight duct and duct fittings except for equipment and special components inserted into the ductwork system; such items are governed by separate specifications in the contract documents.

**PRECAUTIONS FOR TABLE 1-1:**

1. The construction is, as indicated elsewhere in this manual, qualified by freedom from structural failure; however, accidental overpressure that could occur must be provided for at the design stage by overpressure relief (such as fail safe features, replaceable relief panels, controlled failure points, etc.)





2. Field tests (if ever used) to test structural adequacy should not exceed 125% of rated pressure. The assignment of a pressure class number less than the numerical value of the anticipated operating pressure involves risk.
3. Leakage test pressure should not exceed duct pressure class level.
4. Short-cycle pressure changes in duct systems can cause temporary noise. This is normally acceptable at system start-up and shutdown. To reduce or eliminate this noise, the designer must specify shorter-interval bracing, diagonal bracing, lagging, or other control means.



## 1.6 DUCT CONSTRUCTION AND INSTALLATION STANDARDS

### S1.0 General Requirements

S1.1 These construction and installation specifications and illustrations include:

- a. single-prescription method requirements,
- b. optional alternatives, and
- c. performance requirements for specific items that are different in detail from the generalized illustrations.

S1.2 These standards are not meant to exclude any products or methods that can be demonstrated to be equivalent in performance for the application. Substitutions based on sponsor demonstrated adequacy and approval of the regulating authority are recognized

S1.3 These requirements presume that the designers have prepared contract drawings showing the size and location of ductwork, including permissible fitting configurations. Where area change, direction change, divided flow, or united flow fittings other than those illustrated here are shown on the contract drawings, are not of proprietary manufacture, and are defined with friction loss coefficients in either the SMACNA *HVAC Duct System Design* manual or the ASHRAE *Fundamentals Handbook* chapter on duct design, such fittings shall be fabricated with materials, assembly techniques, and sealing provisions given here.

S1.4 EACH DUCT SYSTEM SHALL BE CONSTRUCTED FOR THE SPECIFIC DUCT PRESSURE CLASSIFICATIONS SHOWN ON THE CONTRACT DRAWINGS. WHERE NO PRESSURE CLASSES

ARE SPECIFIED BY THE DESIGNER, THE 1" WATER GAGE (250 Pa) PRESSURE CLASS IS THE BASIS OF COMPLIANCE WITH THESE STANDARDS, REGARD-LESS OF VELOCITY IN THE DUCT, EXCEPT WHEN THE DUCT IS VARIABLE VOLUME: ALL VARIABLE VOLUME DUCT UPSTREAM OF VAV BOXES HAS A 2" WG (500 Pa) BASIS OF COMPLIANCE WHEN THE DESIGNER DOES NOT GIVE A PRESSURE CLASS.

S1.5 No specification or illustration in this manual obliges a contractor to supply any volume control dampers, fire dampers, smoke dampers, or fittings that are not shown on contract drawings.

S1.6 Where dimensions, sizes, and arrangements of elements of duct assembly and support systems are not provided in these standards the contractor shall select configurations suitable for the service.

S1.7 The contractor shall follow the application recommendations of the manufacturer of all hardware and accessory items and select them to be consistent with the duct classification and services.

S1.8 Unless otherwise specified steel sheet and strip used for duct and connectors shall be G-60 coated galvanized steel of lockforming grade conforming to ASTM A653 and A924 standards. Minimum yield strength for steel sheet and reinforcements is 30,000 psi (207 kPa).

S1.9 Where sealing is required in Table 1-2 or in other tables or illustrations in this manual, it means the following:

- a. the use of adhesives, gaskets, tape systems, or combinations of these to close openings in the surface of the ductwork and

TABLE 1-2		
STANDARD DUCT SEALING REQUIREMENTS		
SEAL CLASS	Sealing Requirements	Applicable Static Pressure Construction Class
A	Class A: All Transverse joints, longitudinal seams, and duct wall penetrations	4" wg and up (1000 Pa)
B	Class B: All Transverse joints and longitudinal seams only	3" wg (750 Pa)
C	Class C: Transverse joints only	2" wg (500 Pa)
In addition to the above, any variable air volume system duct of 1" (250 Pa) and 1/2" wg (125 Pa) construction class that is upstream of the VAV boxes shall meet Seal Class C.		

field-erected plenums and casings through which air leakage would occur or the use of continuous welds.

- b. the prudent selection and application of sealing methods by fabricators and installers, giving due consideration to the designated pressure class, pressure mode (positive or negative), chemical compatibility of the closure system, potential movement of mating parts, workmanship, amount and type of handling, cleanliness of surfaces, product shelf life, curing time, and manufacturer-identified exposure limitations.
- c. that these provisions apply to duct connections to equipment and to apparatus but are not for equipment and apparatus.
- d. that where distinctions are made between seams and joints, a seam is defined as joining of two longitudinally (in the direction of air-flow) oriented edges of duct surface material occurring between two joints. Helical (spiral) lock seams are exempt from sealant requirements. All other duct wall connections are deemed to be joints. Joints include but are not limited to girth joints, branch and subbranch intersections, so-called duct collar tap-ins, fitting subsections, louver and air terminal connections to ducts, access door and access panel frames and jambs, and duct, plenum, and casing abutments to building structures.

e. unless otherwise specified by the designer, that sealing requirements do not contain provisions to:

1. resist chemical attack;
2. be dielectrically isolated;
3. be waterproof, weatherproof, or ultra-violet ray resistant;
4. withstand temperatures higher than 120°F (48°C) or lower than 40°F (4.4°C);
5. contain atomic radiation or serve in other safety-related construction;
6. be electrically grounded;
7. maintain leakage integrity at pressures in excess of their duct classification;
8. be underground below the water table;
9. be submerged in liquid;
10. withstand continuous vibration visible to the naked eye;
11. be totally leakfree within an encapsulating vapor barrier; and
12. create closure in portions of the building structure used as ducts, such as ceiling plenums, shafts, or pressurized compartments;



- f. the requirements to seal apply to both positive and negative pressure modes of operation.
- g. externally insulated ducts located outside of buildings shall be sealed before being insulated, as though they were inside. If air leak sites in ducts located outside of buildings are exposed to weather, they shall receive exterior duct sealant. An exterior duct sealant is defined as a sealant that is marketed specifically as forming a positive air-and watertight seal, bonding well to the metal involved, remaining flexible with metal movement, and having a service temperature range of  $-30^{\circ}\text{F}$  ( $-34^{\circ}\text{C}$ ) to  $175^{\circ}\text{F}$  ( $79^{\circ}\text{C}$ ). If exposed to direct sunlight, it shall also be ultraviolet ray-and ozone-resistant or shall, after curing, be painted with a compatible coating that provides such resistance. The term sealant is not limited to adhesives or mastics but includes tapes and combinations of open-weave fabric or absorbent strips and mastics.

## 1.7 DUCT SEALING COMMENTARY

Ducts must be sufficiently airtight to ensure economical and quiet performance of the system. It must be recognized that airtightness in ducts cannot, and need not, be absolute (as it must be in a water piping system). Codes normally require that ducts be reasonably airtight. Concerns for energy conservation, humidity control, space temperature control, room air movement, ventilation, maintenance, etc., necessitate regulating leakage by prescriptive measures in construction standards. Leakage is largely a function of static pressure and the amount of leakage in a system is significantly related to system size. Adequate airtightness can normally be ensured by a) selecting a static pressure, construction class suitable for the operating condition, and b) sealing the ductwork properly.

The designer is responsible for determining the pressure class or classes required for duct construction and for evaluating the amount of sealing necessary to achieve system performance objectives. It is recommended that all duct constructed for the 1" (250 Pa) and 1/2" (125 Pa) pressure class meet Seal Class C. However, because designers sometimes deem leakage in unsealed ducts not to have adverse effects, the sealing of all ducts in the 1" (250 Pa) and 1/2" (125 Pa) pressure class is not required by this construction manual. Designers occasionally exempt the following from sealing requirements: small systems, residential occupancies, ducts located directly in the zones they serve, ducts that have short runs from volume control

boxes to diffusers, certain return air ceiling plenum applications, etc.. When Seal Class C is to apply to all 1" (250 Pa) and 1/2" (125 Pa) pressure class duct, the designer must require this in the project specification. The designer should review the *HVAC Air Duct Leakage Test Manual* for estimated and practical leakage allowances.

Seven pressure classes exist [1/2" (125 Pa), 1" (250 Pa), 2" (500 Pa), 3" (750 Pa), 4" (1000 Pa), 6" (1500 Pa) and 10" (2500 Pa) wg]. If the designer does not designate pressure class for duct construction on the contract drawings, the basis of compliance with the SMACNA HVAC *Duct Construction Standards* is as follows: 2" (500 Pa) wg for all ducts between the supply fan and variable volume control boxes and 1" (250 Pa) wg for all other ducts of any application.

Some sealants can adversely affect the release function of breakaway connections to fire dampers; consult the damper manufacturer for installation restrictions.

### 1.7.1 Leakage Tests

There is no need to verify leakage control by field testing when adequate methods of assembly and sealing are used. Leakage tests are an added expense in system installation. It is not recommended that duct systems constructed to 3" (750 Pa) wg class or lower be tested because this is generally not cost effective. For duct systems constructed to 4" (1000 Pa) wg class and higher, the designer must determine if any justification for testing exists. If it does, the contract documents must clearly designate the portions of the system(s) to be tested and the appropriate test methods. ASHRAE energy conservation standards series 90 text on leakage control generally requires tests only for pressures in excess of 3" (750 Pa).

The *HVAC Duct Leakage Test Manual* provides practical and detailed procedures for conducting leakage tests.

Apparent differences of about ten percent between fan delivery and sum of airflow measurements at terminals do not necessarily mean poor sealing and excess leakage. Potential accuracy of flow measurements should be evaluated.

Otherwise, open access doors, unmade connections, missing end caps, or other oversights contribute to such discrepancies. When air terminals are at great distances from fans (over 500 feet (152m)), more effective sealing is probably required to avoid diminished system performance.

Schools, shopping centers, airports, and other buildings may use exposed ductwork. Selecting sealing systems for such ducts may involve more attention to the final appearance of the duct system than with ducts in concealed spaces.

Certain types of paint may form reliable seals, particularly for small cracks and holes. Further research and confirmation is needed in this area.

Longstanding industry acceptance of so-called low pressure duct systems without sealants may have left some contractors (and designers) with little or no experience with sealing. The contractor should carefully select construction details consistent with sealing requirements, the direction of the air pressure, and familiar sealing methods. The cost of restoring systems not receiving the required sealing or not being properly sealed can greatly exceed the modest cost of a proper application. Contractors using slip and drive connection systems must control connector length and notch depth on rectangular duct ends to facilitate sealing. Failure to do so will compromise seal effectiveness. Round duct joints are normally easier to seal than other types. However, with proper attention to joint selection, workmanship, and sealant application, almost any joint can achieve low leakage. The mere presence of sealant at a connection, however, does not ensure low leakage. Applying sealant in a spiral lock-seam can result in poor seam closure and less satisfactory control. No single sealant is the best for all applications. Selecting the most appropriate sealant depends primarily on the basic joint design and on application conditions such as joint position, clearances, direction of air pressure in service, etc.

The listing of certain duct products by recognized test laboratories may be based on the use of a particular joint sealing product. Such a component listing only reflects laboratory test performance and does not necessarily mean that the closure method can routinely be successful for the contractor or that it will withstand in-service operation of the system on a long-term basis.

### 1.7.2 Liquids

Many manufacturers produce liquid sealants specifically for ducts. They have the consistency of heavy syrup and can be applied either by brush or with a cartridge gun or powered pump. Liquid sealants normally contain 30 to 60 percent volatile solvents; therefore, they shrink considerably when drying. They are recommended for slip-type joints where the sealant fills a small space between the overlapping pieces of

metal. Where metal clearances exceed 1/16 inch (1.6 mm), several applications may be necessary to fill the voids caused by shrinkage or runout of the sealant. These sealants are normally brushed on to round slip joints and pumped into rectangular slip joints.

### 1.7.3 Mastics

Heavy mastic sealants are more suitable as fillets, in grooves, or between flanges. Mastics must have excellent adhesion and elasticity. Although not marketed specifically for ductwork, high quality curtain wall sealants have been used for this application. Oil-base caulking and glazing compounds should not be used.

### 1.7.4 Gaskets

Durable materials such as soft elastomer butyl or extruded forms of sealants should be used in flanged joints. For ease of application, gaskets should have adhesive backing or otherwise be tacky enough to adhere to the metal during joint assembly. The choice of open cell or closed cell rubber gaskets depends on the amount and frequency of compression and on the elastic memory.

### 1.7.5 Tapes

Nothing in this standard is intended to unconditionally prohibit the use of pressure sensitive tapes. Several such closures are listed as components of systems complying with UL Standard 181 tests. There are no industry recognized performance standards that set forth peel adhesion, shear adhesion, tensile strength, temperature limits, accelerated aging, etc., which are quality control characteristics specifically correlated with metal duct construction service. However, the SMACNA *Fibrous Glass Duct Construction Standards* illustrate the closure of a fibrous duct to metal duct with a tape system. The variety of advertised products is very broad. Some test results for tapes are published in the product directories of the Pressure Sensitive Tape Council located in Chicago, IL.

The shelf life of tapes may be difficult to identify. It may be only six months or one year. Although initial adhesion may appear satisfactory, the aging characteristics of these tapes in service is questionable. They tend to lose adhesion progressively at edges or from exposures to air pressure, flexure, the drying effects at the holes or cracks being sealed, etc. The tape's adhesive may be chemically incompatible with the substrate, as is apparently the case with certain non-metal flexible ducts. Application over uncured sealant may have failures related to the release of volatile



solvents. Sea air may have different effects on rubber, acrylic, silicone-based (or other) adhesives.

Tapes of a gum-like consistency with one or two removable waxed liners have become popular for some applications. They are generally known as the peel and seal variety and have been used between flanges and on the exterior of ducts. Such tapes are typically of thicknesses several times that of tapes traditionally known as the pressure sensitive type. Some may have mesh reinforcement. Others may have metal or non-metal backing on one surface.

### 1.7.6 Heat Applied Materials

Hot melt and thermally activated sealants are less widely known but are used for ductwork. The hot melt type is normally a shop application. Thermally activated types use heat to either shrink-fit closures or to expand compounds within joint systems.

### 1.7.7 Mastic and Embedded Fabric

There are several combinations of woven fabrics (fibrous glass mesh, gauze, canvas, etc.) and sealing compounds (including lagging adhesive) that appear better suited for creating and maintaining effective seals than sealant alone. Glass Fabric and Mastic (GFM) used for fibrous glass duct appears to adhere well to galvanized steel.

### 1.7.8 Surface Preparation

Surfaces to receive sealant should be clean, meaning free from oil, dust, dirt, rust, moisture, ice crystals, and other substances that inhibit or prevent bonding. Solvent cleaning is an additional expense. Surface primers are now available, but their additional cost may not result in measurable long-term benefits.

### 1.7.9 Sealant Strength

No sealant system is recognized as a substitute for mechanical attachments. Structural grade adhesive systems are being developed to replace spot welded and soldered connections of metals. They have lap shear strengths of 1000 (6895) to 5000 psi (34475 KPa) or more. SMACNA is not able to comprehensively define their characteristics at this time; however, authorities are encouraged to monitor their development progress and consider their use.

### 1.7.10 Shelf Life

The shelf life of all sealant products may be one year or less; often it is only six months. The installer is cautioned to verify that the shelf life has not been exceeded.

### 1.7.11 Safety Considerations

Sealant systems may be flammable in the wet, partially cured, or cured state.

USE LIQUIDS AND MASTICS IN WELL VENTILATED AREAS AND OBSERVE PRINTED PRECAUTIONS OF MANUFACTURERS.

The contractor should carefully consider the effects of loss of seal and fire potential when welding on or near sealed connections. NFPA Standard 90A requires adhesives to have a flame spread rating not over 25 and a smoke developed rating not over 50.

## 1.8 INTRODUCTION TO THE RECTANGULAR DUCT CONSTRUCTION SCHEDULES

### 1.8.1 Rectangular Table Reading Guide

1. Determine pressure class assigned by the designer.
2. Go to the reinforcement schedule for the duct pressure class. Table 1–4 is used in this review.
3. The greater duct dimension determines the gage for all sides. Reinforcement may be different on sides with unequal dimension.
4. The duct side will either *qualify for flat type joint connections* because the duct wall gage is thick enough to control reflection without needing reinforcement *or will require an alphabet letter code reinforcement* that is suited for the width, the wall thickness and a maximum spacing interval.
  - a. The gage of duct not requiring reinforcement is in column 2. *See Figure 1-7.*
  - b. Duct reinforcement options are in columns 3 to 10: Read horizontally right from the *greater duct dimension* in column 1 and vertically *under a reinforcement interval spacing* (in columns 3 to 10) *of your choice.*

*The number in the cell is minimum duct gage; the letter code is type of joint or inter-*



*mediate reinforcement, whichever you choose.* This applies for joint-to-joint, joint-to-intermediate, or intermediate-to-intermediate intervals. If, for example, you are using 5' (1.5 m) joint spacing and do not want to use between-joint reinforcements stay in the 5' (1.5 m) column (column 6) until it becomes "Not Designed"; then you go to column 9 to find the joint rating and the intermediate (between-joint) bracing and the potentially lighter gage duct wall permitted with 2-1/2' (0.75 m) reinforcement spacing.

5. Having found the gage for the wide side, check column 2 to see if that gage is exempt from reinforcement on the short side. If it is not, find which column (of 3 to 10) this gage in; there find the *maximum* spacing in the column heading and the prescribed joint (or reinforcement) size (letter code) listed in the gage.

If the maximum short side reinforcement spacing thus found exceeds a joint spacing that you are committed to, go to the column with the joint spacing to find the joint size. Even though the duct gage listed at this width-spacing cell may be less, the joint rating cannot be less than at this cell.

6. Beading and crossbreaking are not substitutes for reinforcement. These are not required for any of the following conditions: liner or external insulation is used; width is less than 19"; duct pressure class is over 3" wg; duct gage is over 20 (1.0 mm); unbraced panel area is 10 square feet (0.93 square meters) or less. Otherwise, one or the other must be used.
7. Within the pressure limits given for specific forms, choices for reinforcement are:
  - a. use of flat drive (T-1) as Class A per Table 1-18;
  - b. use of any flat connector backed up by a Table 1-10 (intermediate type) member;
  - c. use of any appropriately rated joint or intermediate member from Tables 1-10 through 1-13;
  - d. downsizing certain joints, joint backup members or intermediates as tie rod options allow.

In the table, an entry such as H-18G means that the H reinforcement size may be downsized to a G per section 1.10 if an internal tie rod is used. This does not apply for joints that require tie rods on both sides of the joint. In some schedules, only the tie rod construction is given. Kt-18 is an example.

8. You may also use larger reinforcements than specified. In some cases, you must use a larger size than Tables 1-3 to 1-10 call for because some prescribed sizes are observed as minimum.
9. *In some cases*, a flange is rolled (formed) on the end of a duct section and *the minimum gage in the joint rating table will override* a lighter gage of the duct wall that is indicated in the Tables 1-3 through 1-12. *Then the duct wall must be increased* above that needed for the reinforcement spacing and interval in order to meet the joint requirements.
10. Due to infrequent use, some of the joints in the first edition were omitted. The T numbers of those remaining were not changed for this edition. Authorities can be petitioned to allow use of the omitted joints based on the first edition requirements.
11. Reinforcement requirements are given in rigidity class (both in alphabet letter and EI coding) and also by prescribed sizes. The EI code is modulus of elasticity times the effective moment of inertia times 100,000 (ten to the 5th power).
 

The HVAC-DCS Text makes provision for use of equivalent substitutions. Use Chapter 7 to evaluate these.
12. Positive pressure reinforcements for service over 3" wg (750 Pa) generally require end ties outside of the duct unless internal tie rods are used. *See Figure 1-11.* Negative pressure reinforcements attachments to the duct wall are generally at closer intervals than on positive pressure service.
13. For ducts over certain widths only tie rod construction is indicated in order to limit the size of reinforcements. The table entry Kt-16, for example, designates 16 gage duct with K class joints and intermediates having tie rods or straps at intervals not exceeding 60 inches (1524 mm). *See Figure 1-12.*



Very large ducts may require internal hangers as shown in Figure 4- 8 or may require other internal supports to provide shape retention. Such internal supports should be illustrated on the contract drawings.

14. Tie rods at mid panel are not currently classified as reinforcements by SMACNA due to insufficient testing and unpredictable service life.
15. Consult the Narrowscope tables and the Composite tables in the appendix for other study assistance.

The rectangular duct construction standards provide the following options for constructing ducts: a) those unreinforced and joined by flat type connections only, b) those joined by flat type joint connectors backed by a qualified reinforcement, c) those joined by an upright connector that meets reinforcement requirements alone or in conjunction with an incorporated reinforcement, and d) in sizes over 48" (1.2 m) width, those using tie rods that permit the use of smaller reinforcements. Not all options exist at all sizes and all static pressure classes. The options are provided to correlate performance with economy and the preference of fabricators and specifiers. SMACNA does not validate equivalency.



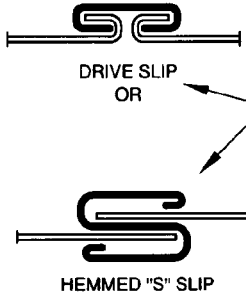
## READING GUIDE SUMMARY

**Example:** 54" x 18" duct, 5 ft joint spacing. On 54" sides use F joints on 22 ga. On 18" sides flat slips or drives qualify per column 2.

**Example:** 54" x 30" duct, 22 gage. Use F at 5 ft. on 54". On 30" use D at 5 ft. or E at 10 ft. If you put joints on the 30" side at 5 ft. spacing, they must be D rated.

**Comment:** If the table requires a letter code, all joints on that side must qualify for the minimum code letter related to the minimum gage and the spacing.

Use Drive Slip or Hemmed "S" Slip on duct gage in column 2



Duct Gage	26 to 22	20	18	16	
Minimum Flat Slip and Drive Gage	24	22	20	18	

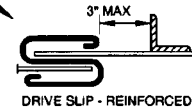
Spacing refers to letter code: use joint-to-joint, joint-to-intermediate or intermediate-to-intermediate. Columns 3 to 10 are alternatives.

The drive slip is accepted as being A rated up to 20" length.

Joint Option: Backup member qualifies Hemmed "S" Slip - Reinforced or Drive Slip - Reinforced for letter code when selected from Table 1-10.



OR



1" W.G. STATIC POS. OR NEG.	TABLE 1-4 RECTANGULAR DUCT REINFORCEMENT									
	NO REINFORCEMENT REQUIRED	REINFORCEMENT CODE FOR DUCT GAGE NO.								
		REINFORCEMENT SPACING OPTIONS								
DUCT DIMENSION		10'	8'	6'	5'	4'	3'	2 1/2'	2'	
(1)	(2)	(3)	(4)	(5)	(6)	(7)	(8)	(9)	(10)	
10" dn	26 ga.	NOT REQUIRED								
11, 12"	26 ga.	NOT REQUIRED								
13, 14"	24 ga.	B-26	B-26	B-26	B-26	B-26	A-26	A-26	A-26	
15, 16"	22 ga.	B-24	B-26	B-26	B-26	B-26	B-26	B-26	A-26	
17, 18"	22 ga.	B-24	B-26	B-26	B-26	B-26	B-26	B-26	B-26	
19, 20"	20 ga.	D-24	C-26	C-26	C-26	C-26	B-26	B-26	B-26	
21, 22"	18 ga.	C-24	C-24	C-26	C-26	C-26	B-26	B-26	B-26	
23, 24"	18 ga.	C-24	C-24	C-26	C-26	C-26	C-26	B-26	B-26	
25, 26"	18 ga.	D-22	C-24	C-26	C-26	C-26	C-26	C-26	B-26	
27, 28"	16 ga.	D-22	D-24	D-26	C-26	C-26	C-26	C-26	C-26	
29, 30"	16 ga.	E-22	D-24	D-26	D-26	C-26	C-26	C-26	E-26	
31-36"		E-20	E-22	E-24	D-24	D-26	C-26	B-26	C-26	
37-42"		F-18	F-20	E-24	E-24	E-26	D-26	D-26	C-26	
43-48"		G-18	G-18	F-20	F-22	E-24	E-26	E-26	D-26	
49-54"		H-16	H-18	G-20	F-22	F-24	E-24	E-24	E-24	
55-60"		H-16	G-20	G-22	F-24	F-24	E-24	E-24	E-24	
61-72"		NOT DESIGNED								
73-84"		NOT DESIGNED								
85-96"		NOT DESIGNED								
97-106"		NOT DESIGNED								
109-120"		NOT DESIGNED								

TABLE 1-11  
(Option)  
TRANSVERSE JOINT

MINIMUM RIGIDITY CLASS	T-10 STANDING S	
	H x T	WT LF
A	0.5	Use B
B	1.0	1 x 26 ga.
C	1.9	1 x 22 ga.
D	2.7	1 x 1/8 x 20 ga.
E	6.5	1 1/8 x 18 ga.
F	12.8	Use G
G	15.8	1 5/8 x 18 ga.
H	22	
I	60	
J	80	
K	103	
L	207	

TABLE 1-10  
(Option)  
INTERMEDIATE

REINF. CLASS	EP	ANGLE	
		H x T (MIN)	WT LF
A	0.5	Use C	
B	1.0	Use C	
C	1.9	C1 x 18 ga. C3/4 x 1/8	0.40 0.59
D	2.7	H3/4 x 1/8 C1 x 1/8	0.57 0.80
E	6.5	C1 1/4 x 1/2 ga. H 1 x 1/8	0.9 0.8
F	12.8	H 1 1/4 x 1/8	1.02
G	15.8	1 1/2 x 1/8	1.23
H	22 (+) 26.7 (-)	1 1/2 x 3/16 2 x 1/8	1.78 1.65
I	60	C2 x 3/16 2 1/2 x 1/8	2.44 2.1
J	80	H2 x 3/16 C2 x 1/4 2 1/2 x 1/8 (+)	3.2 2.1
K	103	2 1/2 x 3/16	3.1
L	207	H2 1/2 x 1/4	4.1

C angle is cold rolled.  
H angle is hot rolled.

See page 1-15. Circles in the Table denotes only column numbers. For column 2, see Fig. 1-7. For Columns 3 through 9, see Introduction to Schedules. The number in the box is minimum duct gage; the alphabet letter is the minimum reinforcement grade for joints and intermediates occurring at a maximum spacing interval in the column heading. A listing such as H18G means that the H may be downsized to G with a tie rod. At higher pressures and large widths, a reinforcement such as Jt means that only tie rod members are given.

The tables can be investigated to suit a preference for each of several features:

- a. Look for a preferred duct gage under each reinforcement spacing and find the associated code and maximum duct dimensions.
- b. Look for a preferred joint or intermediate reinforcement size in Tables 1–10 to 1–14.
- c. Preference for a particular sheet or coil stock size will dictate reinforcement intervals (maximum and subdivisions).

Sometimes, if a project calls for small amounts of ductwork in many size ranges or pressure classes, it may be more economical to select heavier constructions than are required, so that fewer variations are needed.

The duct construction tables define relationships between static pressure, width, wall thickness, reinforcement spacing, and reinforcement strength so that ducts have adequate strength and acceptable deflection limits. The greater dimension of a duct determines the duct gage for all four sides. This applies to reinforced and unreinforced ducts.

The first step in determining construction requirements is to locate the table with the applicable static pressure.

### 1.8.2 Unreinforced Duct

(Fig. 1- 7)

Duct sides having a gage listed in the second column of Tables 1–3 to 1–9 do not require reinforcement. These are summarized in Table 1–17. Flat type joints may be used at any spacing. Flat slips and drives must not be less than two gages lower than the duct gage or below 24 gage (0.70 mm).

The T–1 drive slip connection provides sufficient rigidity to be treated as Class A reinforcement within the limits of Table 1–18. This gives the appearance of increasing the range of unreinforced duct sizes.

### 1.8.3 Reinforced Duct

(Figs. 1- 9, 1- 10, 1- 11)

In the Reinforcement Spacing columns of Tables 1–3 through 1–9, across from each duct width, each cell shows that duct width's minimum duct gage as a number and its minimum reinforcement grade as a letter.

The arrow indicates that the right most value continues to the end of the row because the minimum duct gage and reinforcement grade remain the same for shorter spacings. Any cell within a row is an acceptable selection for that duct width. Reinforcement spacings of 10 feet (3.0 m) to 2 feet (0.61 m) are alternative choices. *See* appendices 13 to 17 for discussion of variables that affect choices.

First investigate the duct side with the greater dimension because this side dictates the duct gage. Then find the smaller duct dimension in the first column, and on the same horizontal line locate the duct gage of the wide side. If the duct gage is in the second column, no reinforcement is required on that side; otherwise, the minimum reinforcement code is the letter listed under the spacing used. The actual duct gage may occur in a column giving allowable spacing greater than will be used. In such a case the minimum reinforcement grade is that associated with the actual spacing.

### 1.8.4 Transverse Joint and Intermediate Reinforcement

(Table 1–10; Fig. 1- 11)

The reinforcement spacing in Tables 1–3 to 1–9 denotes distance between two joints or two intermediate reinforcements or from a joint to an intermediate member. Any joint or reinforcement member having a corresponding letter code in Tables 1–12 through 1–16 may be used to comply.

The letter code for reinforcement corresponds to a stiffness index number (EI). This is the modulus of elasticity multiplied by a moment of inertia that is based on the contributing elements of the connector, the reinforcement, the duct wall, or combinations of these. Unless other evidence of adequate strength and rigidity is presented, equivalent construction must meet the EI index associated with the code letter.

In some cases (for example, pocket locks and standing seams), the metal in the duct counts in the joint qualification. A minimum gage of duct that is heavier than the duct gage shown in Tables 1–3 through 1–9 may be indicated by the joint specifications in Tables 1–12 and 1–13.

Flat slips or drives (or any flat joint shown) may be used at one of the spacing limits, provided that a backup member (of the intermediate type) is used with them; the joint is then rated by the backup member taken from Table 1–10.

Tie rod duct construction described on pages 1–27 through 1–30 is also an alternative. For certain ducts



of dimension greater than 48" (1.2 m), alternative sizes of reinforcement using tie rods is depicted in the tables. An entry such as H-18G indicates that on 18 gage (1.3 mm) duct, the reinforcement code for either joint of intermediate stiffener is H class, but G class may be substituted if an available tie rod alternative is selected.

For ducts over 120" (4.72 m) width, only tie rod construction is indicated in order to limit the size of reinforcements. The table entry Ht-18, for example, designates 18 gage duct with H class joints and intermediates having tie rods or straps at intervals not exceeding 60 inches (1524 mm). See Figure 1- 12. Very large ducts may require internal hangers as shown in Figure 4- 8 or may require other internal supports to provide shape retention. Such internal supports should be illustrated on the contract drawings. Other construction that meets the functional criteria in Section VII may be provided.

#### 1.8.4.1 Sample Uses of Table 1-4 (At 1" WG (250 Pa))

Example 1, 18" x 12" (457 x 305 mm) duct:

If the duct is of 22 gage (0.85 mm), the second column shows that it may be unreinforced.

If the duct is of 24 gage (0.70 mm), the 12" (305 mm) side may be unreinforced, but grade B joints are required at 10 feet (3 m) maximum spacing on the 18" (457 mm) sides. However, Table 1-18 allows the T-1 drive slip (alone) to be used on the 18" (457 mm) sides. Any joint used on the 18" side must meet grade B regardless of joint spacing.

If the duct is of 26 gage (0.55 mm), the 12" (305 mm) side may be unreinforced, but on the 18" (457 mm) sides, the maximum reinforcement spacing is 8 feet (2.4 m) and the minimum size is grade B. By Table 1-18, the T-1 drive slip is acceptable as grade A (up to 20" (508 mm) width and 8 feet (2.4 m) spacing). Substitution of C or D for B would still not permit a reinforcement spacing greater than 8 feet (2.4 m) because the minimum gage associated with 10 feet (3 m) spacing is 24 (0.70 mm).

Example 2, 30" x 18" (762 x 457 mm) duct:

The choices for the 30" (762 mm) side are: 16 ga (1.61 mm) for unreinforced; E on 22 ga (0.85 mm) at 10 feet (3 m); D on 24 ga (0.70 mm) at

8 feet (2.4 m), or D on 26 ga (0.55 mm) at 6 feet (1.8 m) max. or C at 4 feet (1.2 m) max. For the 18" (457 mm) side, the choices are the same as outlined in Example 1 for 18" (457 mm) width.

Example 3, 54" x 30" (1372 x 762 mm) duct, with 5 feet (1.5 m) joint spacing preselected:

For 54" (1372 mm) width, F code is required if 22 ga (0.85 mm) is selected. 24 ga (0.70) duct may be used with 5 feet (1.5 m) joint spacing but an E rated intermediate (between E rated joints) would be added (effectively changing the reinforcement spacing to 2-1/2 feet (0.76 m)).

For the 30" (762 mm) side: Grade D is required (for 5 feet (1.5 m) maximum spacing) on any duct gage less than 16 (1.61 mm).

If you did not have the 5 feet (1.5 m) joint limitation and it was economical to do so, 16 ga (1.61 mm) duct unreinforced on the 30" (762 mm) sides and G joints at 10 feet (3 m) spacing on 54" (1372 mm) sides is acceptable.

Example 4, 72" x 72" (100 x 188 mm), with 5' (1.5 m) joint spacing and no intermediate reinforcing use 18 ga (1.31 mm) duct with H rated joints or G rated joints with tie rods added (Gt) or use 24 ga (0.70 mm) with 21/2 feet (0.75 m) spacing and F ratings.

This introduction does not review all aspects of construction. It is an overview. Certain other limitations will appear later in the text and tables. For example, certain joints have been assigned maximum pressure classes. However, other limits may be acceptable if they can be shown to result in equivalent construction. See the appendix for other useful tables and commentary.

Consult NFPA Standard 90B and other codes and specifications applicable for use of materials thinner than 26 gage (0.55 mm) in residential work.

## 1.9 RECTANGULAR DUCT REINFORCEMENT

S1.10 Unless otherwise specified or allowed, rectangular ductwork shall be constructed in accordance with Tables 1-3 through 1-13 and with details associated with them.

S1.11 The duct gage tables are based on G-60 coated galvanized steel of lockforming grade conforming to ASTM Standards A653 and A924. Uncoated steel, prepainted steel,



steel with metal coating such as aluminum or aluminum–zinc compounds, and stainless steel may be used if a minimum corresponding base thickness and material strength is provided. Lockforming grades of such material must be used.

The use of alternative materials requires specification or approval by a designer. The surface conditions, hardness, ductility, corrosion resistance, and other characteristics of these materials must be judged acceptable by the designer for the planned service.

Specifications that refer to use of material that is two gages heavier mean two numbers separated in a series that uses both odd and even number progression; *e.g.*, 18 is two gages heavier than 20 on Appendix pages A.2 and A.3.

- S1.12 Unless otherwise specified, reinforcement may be uncoated steel or galvanized steel.
- S1.13 A reinforcement code classification (letter and El index) higher than indicated must be substituted when the tables do not provide the specific construction details for a lower classification. A higher rated construction member may also be substituted for convenience.
- S1.14 Joint spacing on unreinforced ducts is unlimited. On ducts that require reinforcement,

joint spacing is unrestricted except that the joint itself must qualify for the minimum reinforcement code associated with the reinforcement spacing.

- S1.15 Duct sides that are 19" (483 mm) and over and are 20 gage (1.00 mm) or less, with more than 10 square feet (0.93 square m) of unbraced panel area, shall be crossbroken or beaded as indicated in Figure 1-8 unless they are lined or externally insulated. Ducts that are of heavier gage, smaller dimensions, and smaller panel area and those that are lined or externally insulated are not required to have crossbreaking or beading.
- S1.16 Fittings shall be reinforced like sections of straight duct. On size change fittings, the greater fitting dimension determines the duct gage. Where fitting curvature or internal member attachments provide equivalent rigidity, such features may be credited as reinforcement.
- S1.17 Duct wall thickness, joints, seams, and reinforcements must be coordinated to provide proper assembly.
- S1.18 Other construction that meets the functional criteria in Section VII or is as serviceable as that produced by the construction tables may be provided.



1/2" WG STATIC POS. OR NEG.	TABLE 1-3 RECTANGULAR DUCT REINFORCEMENT								
	NO REINFORCE- MENT REQUIRED	REINFORCEMENT CODE FOR DUCT GAGE NO.							
		REINFORCEMENT SPACING OPTIONS							
DUCT DIMENSION		10'	8'	6'	5'	4'	3'	2 1/2'	2'
①	②	③	④	⑤	⑥	⑦	⑧	⑨	⑩
10"dn.	26 ga.	NOT REQUIRED							
11, 12"	26 ga.								
13, 14"	26 ga.								
15, 16"	26 ga.								
17, 18"	26 ga.								
19, 20"	24 ga.	B-26	B-26	B-26	B-26	B-26	B-26	A-26	A-26
21, 22"	22 ga.	B-26	B-26	B-26	B-26	B-26	B-26	B-26	A-26
23, 24"	22 ga.	C-26	C-26	C-26	B-26	B-26	B-26	B-26	B-26
25, 26"	20 ga.	C-26	C-26	C-26	C-26	B-26	B-26	B-26	B-26
27, 28"	18 ga.	C-24	C-26	C-26	C-26	C-26	B-26	B-26	B-26
29, 30"	18 ga.	C-24	C-26	C-26	C-26	C-26	B-26	B-26	B-26
31-36"	16 ga.	D-22	D-24	C-26	C-26	C-26	C-26	C-26	B-26
37-42"	NOT DESIGNED	E-20	E-24	D-24	D-26	C-26	C-26	C-26	C-26
43-48"		E-20	E-22	E-24	E-26	D-26	D-26	C-26	C-26
49-54"		F-18	F-20	E-22	E-26	E-26	E-26	D-26	C-26
55-60"		G-18	F-20	F-22	E-24	E-24	E-26	E-26	D-26
61-72"		H-16	H-18	F-20	F-22	F-24	E-24	E-24	E-24
73-84"		I-16G	H-18G	H-22G	G-24	F-24	F-24	F-24	
85-96"		I-16G	I-18G	H-20G	H-22G	G-22	F-22	F-22	
97-108"		I-18G	I-18G	H-18G	H-18G	G-18			
109-120"		I-18G	H-18G	H-18G					

See page 1-15. Circle in the Table denotes only column numbers. For column 2, see Fig. 1-7. For column 3 through 9, see Introduction to Schedules. The number in the box is minimum duct gage; the alphabet letter is the minimum reinforcement grade for joints and intermediates occurring at a maximum spacing interval in the column heading. A letter to the right of the gage gives a tie rodged reinforcement alternative. A "t" compels use of tie rod(s) for the reinforcement listing. For beading or crossbreaking see Fig. 1-8.



125 Pa WG STATIC POS. OR NEG.	TABLE 1-3M RECTANGULAR DUCT REINFORCEMENT								
	NO REINFORCE- MENT REQUIRED	REINFORCEMENT CODE AND DUCT THICKNESS (mm)							
		REINFORCEMENT SPACING OPTIONS (m)							
DUCT DIMENSION		3.0	2.4	1.8	1.5	1.2	0.90	0.75	0.60
① (mm)	② (mm)	③	④	⑤	⑥	⑦	⑧	⑨	⑩
250 dn.	0.55	NOT REQUIRED							
251, 300	0.55								
301, 350	0.55								
351, 400	0.55								
401, 450	0.55								
451, 500	0.70	B-0.55	B-0.55	B-0.55	B-0.55	B-0.55	B-0.55	A-0.55	A-0.55
501, 550	0.85	B-0.55	B-0.55	B-0.55	B-0.55	B-0.55	B-0.55	B-0.55	A-0.55
551, 600	0.85	C-0.55	C-0.55	C-0.55	B-0.55	B-0.55	B-0.55	B-0.55	B-0.55
601, 650	1.00	C-0.55	C-0.55	C-0.55	C-0.55	B-0.55	B-0.55	B-0.55	B-0.55
651, 700	1.31	C-0.70	C-0.55	C-0.55	C-0.55	C-0.55	B-0.55	B-0.55	B-0.55
701, 750	1.31	C-0.70	C-0.55	C-0.55	C-0.55	C-0.55	B-0.55	B-0.55	B-0.55
751, 900	1.61	D-0.85	D-0.70	C-0.55	C-0.55	C-0.55	C-0.55	C-0.55	B-0.55
901, 1000	NOT DESIGNED	E-1.00	E-0.70	D-0.70	D-0.55	C-0.55	C-0.55	C-0.55	C-0.55
1001, 1200		E-1.00	E-0.85	E-0.70	E-0.55	D-0.55	D-0.55	C-0.55	C-0.55
1201, 1300		F-1.31	F-1.00	E-0.85	E-0.55	E-0.55	E-0.55	D-0.55	C-0.55
1301, 1500		G-1.31	F-1.00	F-0.85	E-0.70	E-0.70	E-0.55	E-0.55	D-0.55
1501, 1800		H-1.61	H-1.31	F-1.00	F-0.85	F-0.70	E-0.70	E-0.70	E-0.70
1801, 2100			I-1.61G	H-1.31G	H-0.85G	G-0.70	F-0.70	F-0.70	F-0.70
2101, 2400			I-1.61G	I-1.31G	H-1.00G	H-0.85G	G-0.85	F-0.85	F-0.85
2401, 2700					I-1.31G	I-1.31G	H-1.31G	H-1.31G	G-1.31
2701, 3000							H-1.31G	H-1.31G	H-1.31G

See page 1-15. Circle in the Table denotes only column numbers. For column 2, see Fig. 1-7. For column 3 through 9, see Introduction to Schedules. The number in the box is minimum duct gage; the alphabet letter is the minimum reinforcement grade for joints and intermediates occurring at a maximum spacing interval in the column heading. A letter to the right of the gage gives a tie rodged reinforcement alternative. A "t" compels use of tie rod(s) for the reinforcement listing. For beading or crossbreaking see Fig. 1-8.



1" WG STATIC POS. OR NEG.	TABLE 1-4 RECTANGULAR DUCT REINFORCEMENT								
	NO REINFORCE- MENT REQUIRED	REINFORCEMENT CODE FOR DUCT GAGE NO.							
		REINFORCEMENT SPACING OPTIONS							
DUCT DIMENSION		10'	8'	6'	5'	4'	3'	2 1/2'	2'
①	②	③	④	⑤	⑥	⑦	⑧	⑨	⑩
10"dn	26 ga.	NOT REQUIRED							
11, 12"	26 ga.								
13, 14"	24 ga.	B-26	B-26	B-26	B-26	B-26	A-26	A-26	A-26
15, 16"	22 ga.	B-24	B-26	B-26	B-26	B-26	B-26	B-26	A-26
17, 18"	22 ga.	B-24	B-26	B-26	B-26	B-26	B-26	B-26	B-26
19, 20"	20 ga.	C-24	C-26	C-26	C-26	C-26	B-26	B-26	B-26
21, 22"	18 ga.	C-24	C-24	C-26	C-26	C-26	B-26	B-26	B-26
23, 24"	18 ga.	C-24	C-24	C-26	C-26	C-26	C-26	B-26	B-26
25, 26"	18 ga.	D-22	D-24	C-26	C-26	C-26	C-26	C-26	B-26
27, 28"	16 ga.	D-22	D-24	D-26	C-26	C-26	C-26	C-26	C-26
29, 30"	16 ga.	E-22	D-24	D-26	D-26	C-26	C-26	C-26	C-26
31-36"	NOT DESIGNED	E-20	E-22	E-24	D-24	D-26	C-26	C-26	C-26
37-42"		F-18	F-20	E-22	E-24	E-26	D-26	D-26	C-26
43-48"		G-16	G-18	F-20	F-22	E-24	E-26	E-26	D-26
49-54"		H-16	H-18	G-20	F-22	F-24	E-24	E-24	E-24
55-60"			H-18	G-20	G-22	F-24	F-24	E-24	E-24
61-72"				H-18G	H-18G	H-22G	F-24	F-24	F-24
73-84"				I-16G	I-18G	I-20G	H-22G	H-22G	G-22
85-96"					I-16H	I-18H	I-20G	H-20G	H-22G
97-108"						I-18G	I-18G	I-18G	I-18G
109-120"							I-18H	I-18H	I-18G

See page 1-15. Circle in the Table denotes only column numbers. For column 2, see Fig. 1-7. For column 3 through 9, see Introduction to Schedules. The number in the box is minimum duct gage; the alphabet letter is the minimum reinforcement grade for joints and intermediates occurring at a maximum spacing interval in the column heading. A letter to the right of the gage gives a tie rodged reinforcement alternative. A "t" compels use of tie rod(s) for the reinforcement listing. For beading or crossbreaking see Fig. 1-8.



250 Pa WG STATIC POS. OR NEG.	TABLE 1-4M RECTANGULAR DUCT REINFORCEMENT								
	NO REINFORCE- MENT REQUIRED	REINFORCEMENT CODE AND DUCT THICKNESS (mm)							
		REINFORCEMENT SPACING OPTIONS (m)							
DUCT DIMENSION		3.0	2.4	1.8	1.5	1.2	0.90	0.75	0.60
① (mm)	② (mm)	③	④	⑤	⑥	⑦	⑧	⑨	⑩
250 dn.	0.55	NOT REQUIRED							
251, 300	0.55								
301, 350	0.7	B-0.55	B-0.55	B-0.55	B-0.55	B-0.55	A-0.55	A-0.55	A-0.55
351, 400	0.85	B-0.70	B-0.55	B-0.55	B-0.55	B-0.55	B-0.55	B-0.55	A-0.55
401, 450	0.85	B-0.70	B-0.55	B-0.55	B-0.55	B-0.55	B-0.55	B-0.55	B-0.55
451, 500	1	C-0.70	C-0.55	C-0.55	C-0.55	C-0.55	B-0.55	B-0.55	B-0.55
501, 550	1.31	C-0.70	C-0.70	C-0.55	C-0.55	C-0.55	B-0.55	B-0.55	B-0.55
551, 600	1.31	C-0.70	C-0.70	C-0.55	C-0.55	C-0.55	C-0.55	B-0.55	B-0.55
601, 650	1.31	D-0.85	D-0.70	C-0.55	C-0.55	C-0.55	C-0.55	C-0.55	B-0.55
651, 700	1.61	D-0.85	D-0.70	D-0.55	C-0.55	C-0.55	C-0.55	C-0.55	C-0.55
701, 750	1.61	E-0.85	D-0.70	D-0.55	D-0.55	C-0.55	C-0.55	C-0.55	C-0.55
751, 900	NOT DESIGNED	E-1.00	E-0.85	E-0.70	D-0.70	D-0.55	C-0.55	C-0.55	C-0.55
901, 1000		F-1.31	F-1.00	E-0.85	E-0.70	E-0.55	D-0.55	D-0.55	C-0.55
1001, 1200		G-1.61	G-1.31	F-1.00	F-0.85	E-0.70	E-0.55	E-0.55	D-0.55
1201, 1300		H-1.61	H-1.31	G-1.00	F-0.85	F-0.70	E-0.70	E-0.70	E-0.70
1301, 1500			H-1.31	G-1.00	G-0.85	F-0.70	F-0.70	E-0.70	E-0.70
1501, 1800				H-1.31G	H-1.31G	H-0.85G	F-0.70	F-0.70	F-0.70
1801, 2100				I-1.61G	I-1.31G	I-1.00G	H-0.85G	H-0.85G	G-0.85
2101, 2400					I-1.61H	I-1.31H	I-1.00G	H-1.00G	H-0.85G
2401, 2700						I-1.31H	I-1.31G	I-1.31G	I-1.31G
2701, 3000							I-1.31H	I-1.31H	I-1.31G

See page 1-15. Circle in the Table denotes only column numbers. For column 2, see Fig. 1-7. For column 3 through 9, see Introduction to Schedules. The number in the box is minimum duct gage; the alphabet letter is the minimum reinforcement grade for joints and intermediates occurring at a maximum spacing interval in the column heading. A letter to the right of the gage gives a tie rodged reinforcement alternative. A "t" compels use of tie rod(s) for the reinforcement listing. For beading or crossbreaking see Fig. 1-8.





2" WG STATIC POS. OR NEG.	TABLE 1-5 RECTANGULAR DUCT REINFORCEMENT								
	NO REINFORCE- MENT REQUIRED	REINFORCEMENT CODE FOR DUCT GAGE NO.							
		REINFORCEMENT SPACING OPTIONS							
		10'	8'	6'	5'	4'	3'	2 1/2'	2'
DUCT DIMENSION									
①	②	③	④	⑤	⑥	⑦	⑧	⑨	⑩
10"dn	26 ga.	NOT REQUIRED							
11, 12"	24 ga.		B-26	B-26	B-26	B-26	B-26	B-26	B-26
13, 14"	22 ga.		B-24	B-26	B-26	B-26	B-26	B-26	B-26
15, 16"	20 ga.	C-22	C-24	C-24	C-26	C-26	C-26	B-26	B-26
17, 18"	20 ga.	C-22	C-24	C-24	C-26	C-26	C-26	C-26	B-26
19, 20"	18 ga.	C-20	C-22	C-24	C-26	C-26	C-26	C-26	C-26
21, 22"	16 ga.	D-20	D-22	D-24	D-26	C-26	C-26	C-26	C-26
23, 24"	16 ga.	E-20	E-22	D-24	D-26	D-26	C-26	C-26	C-26
25, 26"	NOT DESIGNED	E-20	E-22	E-24	D-26	D-26	C-26	C-26	C-26
27, 28"		F-18	E-20	E-22	E-24	D-26	D-26	C-26	C-26
29, 30"		F-18	F-20	E-22	E-24	E-26	D-26	D-26	C-26
31-36"		G-16	G-18	F-20	F-22	E-24	E-26	D-26	D-26
37-42"			H-16	G-18	G-20	F-24	E-24	E-26	E-26
43-48"			I-16	H-18	H-20	G-22	F-24	F-24	E-24
49-54"				I-16G	H-18G	H-20G	G-24	F-24	F-24
55-60"				I-16G	I-18G	H-18G	G-22	G-24	F-24
61-72"					J-16H	I-18G	H-22G	H-22G	H-24
73-84"						I-18G	I-20G	I-22G	I-22G
85-96"						J-18H	I-18H	I-20H	I-22H
97-108"							K-18H	J-18H	I-18H
109-120"							K-18I	J-18I	

See page 1-15. Circle in the Table denotes only column numbers. For column 2, see Fig. 1-7. For column 3 through 9, see Introduction to Schedules. The number in the box is minimum duct gage; the alphabet letter is the minimum reinforcement grade for joints and intermediates occurring at a maximum spacing interval in the column heading. A letter to the right of the gage gives a tie rodged reinforcement alternative. A "t" compels use of tie rod(s) for the reinforcement listing. For beading or crossbreaking see Fig. 1-8.



500 Pa	TABLE 1-5M RECTANGULAR DUCT REINFORCEMENT								
	STATIC POS. OR NEG.	NO REINFORCE- MENT REQUIRED	REINFORCEMENT CODE FOR DUCT THICKNESS (mm)						
			REINFORCEMENT SPACING OPTIONS (m)						
DUCT DIMENSION		3.0	2.4	1.8	1.5	1.2	0.90	0.75	0.60
① (mm)	② (mm)	③	④	⑤	⑥	⑦	⑧	⑨	⑩
250 dn.	0.55	NOT REQUIRED							
251, 300	0.70		B-0.55	B-0.55	B-0.55	B-0.55	B-0.55	B-0.55	B-0.55
301, 350	0.85		B-0.70	B-0.55	B-0.55	B-0.55	B-0.55	B-0.55	B-0.55
351, 400	1.00	C-0.85	C-0.70	C-0.70	C-0.55	C-0.55	C-0.70	B-0.55	B-0.70
401, 450	1.00	C-0.85	C-0.70	C-0.70	C-0.55	C-0.55	C-0.55	C-0.55	B-0.70
451, 500	1.31	C-1.00	C-0.85	C-0.70	C-0.55	C-0.55	C-0.55	C-0.55	C-0.55
501, 550	1.61	D-1.00	D-0.85	D-0.70	D-0.55	C-0.55	C-0.55	C-0.55	C-0.55
551, 600	1.61	E-1.00	E-0.85	D-0.70	D-0.55	D-0.55	C-0.55	C-0.55	C-0.55
601, 650		E-1.00	E-0.85	E-0.70	D-0.55	D-0.55	C-0.55	C-0.55	C-0.55
651, 700		F-1.31	E-1.00	E-0.85	E-0.70	D-0.55	D-0.55	C-0.55	C-0.55
701, 750		F-1.31	F-1.00	E-0.85	E-0.70	E-0.55	D-0.55	D-0.55	C-0.55
701, 900		G-1.61	G-1.31	F-1.00	F-0.85	E-0.70	E-0.55	D-0.55	D-0.55
901, 1000			H-1.61	G-1.31	G-1.00	F-0.70	E-0.70	E-0.55	E-0.55
1001, 1200			I-1.61	H-1.31	H-1.00	G-0.85	F-0.70	F-0.70	E-0.70
1201, 1300				I-1.61G	H-1.31G	H-1.00G	G-0.70	F-0.70	F-0.70
1301, 1500				I-1.61G	H-1.31G	H-1.31G	G-0.85	G-0.70	F-0.70
1501, 1800					I-1.61H	I-1.31G	H-0.85G	H-0.85G	H-0.70
1801, 2100						J-1.31G	I-1.00G	I-0.85G	I-0.85G
2101, 2400						J-1.31I	I-1.31H	I-1.00H	J-1.00H
2401, 2700							K-1.31H	J-1.31H	I-1.31H
2701, 3000								K-1.31I	J-1.31I

See page 1-15. Circle in the Table denotes only column numbers. For column 2, see Fig. 1-7. For column 3 through 9, see Introduction to Schedules. The number in the box is minimum duct gage; the alphabet letter is the minimum reinforcement grade for joints and intermediates occurring at a maximum spacing interval in the column heading. A letter to the right of the gage gives a tie rodged reinforcement alternative. A "t" compels use of tie rod(s) for the reinforcement listing. For beading or crossbreaking see Fig. 1-8.



3" WG STATIC POS. OR NEG.	TABLE 1-6 RECTANGULAR DUCT REINFORCEMENT								
	NO REINFORCE- MENT REQUIRED	REINFORCEMENT CODE FOR DUCT GAGE NO.							
		REINFORCEMENT SPACING OPTIONS							
DUCT DIMENSION		10'	8'	6'	5'	4'	3'	2 1/2'	2'
①	②	③	④	⑤	⑥	⑦	⑧	⑨	⑩
10"dn	24 ga.	NOT REQUIRED		B-26	B-26	B-26	B-26	B-26	B-26
11, 12"	22 ga.		B-24	B-24	B-26	B-26	B-26	B-26	B-26
13, 14"	20 ga.		C-22	C-24	C-24	C-26	C-26	B-26	B-26
15, 16"	18 ga.		C-22	C-24	C-24	C-26	C-26	C-26	C-26
17, 18"	18 ga.		D-22	D-24	C-24	C-26	C-26	C-26	C-26
19, 20"	16 ga.	D-18	D-20	D-22	D-24	D-24	C-26	C-26	C-26
21, 22"	16 ga.	E-18	E-20	E-22	D-24	D-24	D-26	C-26	C-26
23, 24"	16 ga.	E-18	E-18	E-22	E-24	E-24	D-26	D-26	C-26
25, 26"		F-18	F-18	E-22	E-24	E-24	D-26	D-26	C-26
27, 28"		F-16	F-18	F-20	F-22	E-24	E-26	D-26	D-26
29, 30"		G-16	G-18	F-20	F-22	E-24	E-26	E-26	D-26
31-36"			H-16G	H-18G	G-20	F-22	F-24	E-26	E-26
37-42"				H-18G	H-20G	G-22	F-24	F-24	E-26
43-48"				I-16G	I-18G	H-20	G-22	G-24	F-24
49-54"					I-18G	I-18G	H-22G	G-24	G-24
55-60"					I-16G	I-18G	H-20G	H-22G	G-24
61-72"						J-16H	I-20G	I-22G	I-24G
73-84"							J-18H	I-20H	I-22G
85-96"							K-18I	J-18I	I-20H
97-108"								L-18I	K-18I
109-120"								L-18I	L-18I

See page 1-15. Circle in the Table denotes only column numbers. For column 2, see Fig. 1-7. For column 3 through 9, see Introduction to Schedules. The number in the box is minimum duct gage; the alphabet letter is the minimum reinforcement grade for joints and intermediates occurring at a maximum spacing interval in the column heading. A letter to the right of the gage gives a tie rodged reinforcement alternative. A "t" compels use of tie rod(s) for the reinforcement listing. For beading or crossbreaking see Fig. 1-8.



750 Pa	TABLE 1-6M RECTANGULAR DUCT REINFORCEMENT									
	STATIC POS. OR NEG.	NO REINFORCE- MENT REQUIRED	REINFORCEMENT CODE FOR DUCT THICKNESS (mm)							
			REINFORCEMENT SPACING OPTIONS (m)							
DUCT DIMENSION		3.0	2.4	1.8	1.5	1.2	0.90	0.75	0.60	
① (mm)	② (mm)	③	④	⑤	⑥	⑦	⑧	⑨	⑩	
250 dn.	0.70	NOT RE- QUIRED	A-.55	B-.55	B-.55	B-.55	B-.55	B-.55	B-.55	
251, 300	0.85		B-.70	B-.70	B-.55	B-.55	B-.55	B-.55	B-.55	
301, 350	1.00		C-.85	C-.70	C-.70	C-.55	C-.55	B-.55	B-.55	
351, 400	1.31		C-.85	C-.70	C-.70	C-.55	C-.55	C-.55	C-.55	
401, 450	1.31		D-.85	D-.70	C-.70	C-.55	C-.55	C-.55	C-.55	
451, 500	1.61	D-1.31	D-1.00	D-.85	D-.70	D-.70	C-.55	C-.55	C-.55	
501, 550	1.61	E-1.31	E-1.00	E-.85	D-.70	D-.70	D-.55	C-.55	C-.55	
551, 600	1.61	E-1.31	E-1.31	E-.85	E-.70	E-.70	D-.55	D-.55	C-.55	
601, 650	NOT DESIGNED	F-1.31	F-1.31	E-.85	E-.70	E-.70	D-.55	D-.55	C-.55	
651, 700		F-1.61	F-1.31	F-1.00	F-.85	E-.70	E-.55	D-.55	D-.55	
701, 750		G-1.61	G-1.31	F-1.00	F-.85	E-.70	E-.55	E-.55	D-.55	
751, 900		H-1.61	H-1.31G	G-1.00	F-.85	F-.70	E-.55	E-.55		
901, 1000		I-1.61G	I-1.31G	H-1.00G	G-.85	F-.70	F-.70	E-.55		
1001, 1200		I-1.31G	I-1.31G	H-.85G	G-.70	G-.70	G-.70			
1201, 1300		I-1.61H	I-1.31G	H-1.00G	H-.85G	G-.70	G-.70			
1301, 1500		J-1.61H	I-1.00G	I-.85G	I-.70G	I-.70G	I-.70G			
1501, 1800		J-1.31H	I-1.00H	I-.85G	I-.70G	I-.70G	I-.70G			
1801, 2100		K-1.31I	J-1.31I	I-1.00H	I-.70G	I-.70G	I-.70G			
2101, 2400		L-1.31I	K-1.31H	I-.70G	I-.70G	I-.70G	I-.70G			
2401, 2700		L-1.31I	L-1.31I	I-.70G	I-.70G	I-.70G	I-.70G			
2701, 3000		L-1.31I	L-1.31I	I-.70G	I-.70G	I-.70G	I-.70G			

See page 1-15. Circle in the Table denotes only column numbers. For column 2, see Fig. 1-7. For column 3 through 9, see Introduction to Schedules. The number in the box is minimum duct gage; the alphabet letter is the minimum reinforcement grade for joints and intermediates occurring at a maximum spacing interval in the column heading. A letter to the right of the gage gives a tie rodged reinforcement alternative. A "t" compels use of tie rod(s) for the reinforcement listing. For beading or crossbreaking see Fig. 1-8.



4" WG STATIC NEGATIVE	TABLE 1-7 RECTANGULAR DUCT REINFORCEMENT									
	NO REINFORCE- MENT REQUIRED	REINFORCEMENT CODE FOR DUCT GAGE NO.								
		REINFORCEMENT SPACING OPTIONS								
DUCT DIMENSION		10'	8'	6'	5'	4'	3'	2 1/2'	2'	
①	②	③	④	⑤	⑥	⑦	⑧	⑨	⑩	
8" dn.	24 ga.	NOT REQUIRED		B-26	B-26	B-26	B-26	B-26	B-26	
9, 10'	22 ga.	NOT REQUIRED		B-24	B-26	B-26	B-26	B-26	B-26	
11, 12"	20 ga.	B-22	B-22	C-24	C-26	C-26	C-26	B-26	B-26	
13, 14"	18 ga.	C-20	C-22	C-22	C-24	C-26	C-26	C-26	C-26	
15, 16"	18 ga.	C-18	D-20	D-22	D-24	D-26	C-26	C-26	C-26	
17, 18"	16 ga.	D-18	D-20	D-22	D-24	D-26	C-26	C-26	C-26	
19, 20"	NOT DESIGNED	E-18	E-20	E-22	E-24	D-24	D-26	C-26	C-26	
21, 22"		E-18	E-18	E-20	E-24	E-24	D-26	D-26	C-26	
23, 24"		F-18	F-18	F-20	E-22	E-24	E-26	D-26	D-26	
25, 26"		G-18	G-18	F-20	F-22	E-22	E-26	E-26	D-26	
27, 28"		H-16G	G-18	F-20	F-22	F-24	E-26	E-26	D-26	
29, 30"		H-16G	G-18G	G-18	G-22	F-24	E-26	E-26	E-26	
31-36"					H-18G	H-20	G-22	F-24	F-26	E-26
37-42"					I-16G	I-18G	H-20G	G-22	G-24	F-26
43-48"						I-18G	I-18G	H-22G	H-24G	G-24
49-54"						I-16H	I-18G	I-20G	H-22G	H-24G
55-60"						J-16I	I-16H	I-20G	I-22G	H-24G
61-72"								J-18H	I-20H	I-22G
73-84"								K-16I	J-18I	I-20H
85-96"									K-18I	J-20I
97-108"								L-18I	L-18I	
109-120"								L-16J	L-16J	

See page 1-15. Circle in the Table denotes only column numbers. For column 2, see Fig. 1-7. For column 3 through 9, see Introduction to Schedules. The number in the box is minimum duct gage; the alphabet letter is the minimum reinforcement grade for joints and intermediates occurring at a maximum spacing interval in the column heading. A letter to the right of the gage gives a tie rodged reinforcement alternative. A "t" compels use of tie rod(s) for the reinforcement listing. For beading or crossbreaking see Fig. 1-8.



1000 Pa WG STATIC POS. OR NEG.	TABLE 1-7M RECTANGULAR DUCT REINFORCEMENT								
	NO REINFORCE- MENT REQUIRED	REINFORCEMENT CODE FOR DUCT GAGE NO. (mm)							
		REINFORCEMENT SPACING OPTIONS (m)							
DUCT DIMENSION		3.00	2.40	1.80	1.50	1.20	0.90	0.75	0.60
① (mm)	② (mm)	③	④	⑤	⑥	⑦	⑧	⑨	⑩
200 dn.	0.70	NOT REQUIRED		B-0.55	B-0.55	B-0.55	B-0.55	B-0.55	B-0.55
230, 250	0.85			B-0.70	B-0.55	B-0.55	B-0.55	B-0.55	B-0.55
251, 300	1.00	B-0.85	B-0.85	C-0.70	C-0.55	C-0.55	C-0.55	B-0.55	B-0.55
301, 350	1.31	C-1.00	C-0.85	C-0.85	C-0.70	C-0.55	C-0.55	C-0.55	C-0.55
351, 400	1.31	C-1.31	D-1.00	D-0.85	D-0.70	D-0.55	C-0.55	C-0.55	C-0.55
401, 450	1.61	D-1.31	D-20	D-0.85	D-0.70	D-0.55	C-0.55	C-0.55	C-0.55
451, 500	NOT DESIGNED	E-1.31	E-20	E-0.85	E-0.70	D-0.70	D-0.55	C-0.55	C-0.55
501, 550		E-1.31	E-1.31	E-1.00	E-0.70	E-0.70	D-0.55	D-0.55	C-0.55
551, 600		F-1.13	F-1.31	F-1.00	E-0.85	E-0.70	E-0.55	D-0.55	D-0.55
601, 650		G-1.31	G-1.31	F-1.00	F-0.85	E-70	E-0.55	E-0.55	D-0.55
651, 700		H-1.61	G-1.31	F-1.00	F-0.85	F-0.70	E-0.55	E-0.55	D-0.55
701, 750		H-1.61	G-1.31	G-1.31	G-0.85	F-0.70	E-0.55	E-0.55	E-0.55
751, 900				H-1.31G	H-1.00	G-0.85	F-0.70	F-0.55	E-0.55
901, 1000				I-1.61G	I-1.31G	H-1.00G	G-0.85	G-0.70	F-0.55
1001, 1200					I-1.31G	I-1.31G	H-0.85G	H-0.70G	G-0.704
1201, 1300					I-1.61H	I-1.31G	I-1.00G	H-0.85G	H-0.70G
1301, 1500					J-1.61I	I-1.61H	I-1.00G	I-0.85G	H-0.70G
1501, 1800							J-1.31H	I-1.00H	I-0.85G
1801, 2100						K-1.61I	J-1.31I	I-1.00H	
2101, 2400							K-1.31I	J-20I	
2401, 2700							L-1.31I	L-1.31I	
2701, 3000							L-16J	L-16J	

See page 1-15. Circle in the Table denotes only column numbers. For column 2, see Fig. 1-7. For column 3 through 9, see Introduction to Schedules. The number in the box is minimum duct gage; the alphabet letter is the minimum reinforcement grade for joints and intermediates occurring at a maximum spacing interval in the column heading. A letter to the right of the gage gives a tie rodged reinforcement alternative. A "t" compels use of tie rod(s) for the reinforcement listing. For beading or crossbreaking see Fig. 1-8.



6" WG STATIC NEGATIVE	TABLE 1-8 RECTANGULAR DUCT REINFORCEMENT								
	NO REINFORCE- MENT REQUIRED	REINFORCEMENT CODE FOR DUCT GAGE NO.							
		REINFORCEMENT SPACING OPTIONS							
DUCT DIMENSION		10'	8'	6'	5'	4'	3'	2 1/2'	2'
①	②	③	④	⑤	⑥	⑦	⑧	⑨	⑩
8"dn.	24 ga.	NOT REQUIRED			C-26	C-26	B-26	B-26	B-26
9, 10'	20 ga.			B-22	C-24	C-24	B-26	B-26	B-26
11, 12"	18 ga.	C-20	C-20	C-22	C-24	C-24	C-26	C-26	C-26
13, 14"	18 ga.	C-18	C-18	D-20	D-22	C-24	C-26	C-26	C-26
15, 16"	16 ga.	D-18	D-18	D-20	D-22	D-24	D-26	C-26	C-26
17, 18"	NOT DESIGNED	E-18	E-18	E-20	E-22	E-24	D-26	D-26	C-26
19, 20"		F-16	F-18	F-20	E-22	E-24	D-24	D-26	D-26
21, 22"		F-16	F-18	F-18	F-22	F-24	E-24	E-26	D-26
23, 24"			G-18	G-18	F-22	F-22	E-24	E-26	E-26
25, 26"			H-16G	G-18	G-20	F-22	F-24	E-24	E-24
27, 28"			H-16G	H-18G	H-20G	G-22	F-24	F-24	E-24
29, 30"				H-18G	H-18G	G-22G	F-24	F-24	F-24
31-36"				I-16H	I-18H	H-20G	H-22G	G-24	G-22
37-42"					I-16H	I-18G	H-20G	H-22G	H-22
43-48"						I-18H	I-18H	I-22G	I-22G
49-54"						J-16H	I-18H	I-20G	I-22G
55-60"							J-18H	I-20H	I-22G
61-72"							K-16I	J-18I	J-20H
73-84"								L-16J	K-18I
85-96"								It-16	L-18J
97-108"								Jt-16	L-18
109-120"							Jt-16	Kt-16	

See page 1-15. Circle in the Table denotes only column numbers. For column 2, see Fig. 1-7. For column 3 through 9, see Introduction to Schedules. The number in the box is minimum duct gage; the alphabet letter is the minimum reinforcement grade for joints and intermediates occurring at a maximum spacing interval in the column heading. A letter to the right of the gage gives a tie rodged reinforcement alternative. A "t" compels use of tie rod(s) for the reinforcement listing. For beading or crossbreaking see Fig. 1-8.



1500 Pa WG STATIC POS. OR NEG.	TABLE 1-8M RECTANGULAR DUCT REINFORCEMENT								
	NO REINFORCE- MENT REQUIRED	REINFORCEMENT CODE FOR DUCT GAGE NO. (mm)							
		REINFORCEMENT SPACING OPTIONS (m)							
DUCT DIMENSION		3.0	2.4	1.8	1.5	1.2	0.90	0.75	0.60
① (mm)	② (mm)	③	④	⑤	⑥	⑦	⑧	⑨	⑩
200 dn.	24 ga.	NOT REQUIRED			C-0.55	C-0.55	B-0.55	B-0.55	B-0.55
230, 250	20 ga.			B-0.85	C-0.70	C-0.70	B-0.55	B-0.55	B-0.55
251, 300	18 ga.	C-1.00	C-1.00	C-0.85	C-0.70	C-0.70	C-0.55	C-0.55	C-0.55
301, 350	18 ga.	C-1.00	C-1.00	D-1.00	D-0.85	C-0.70	C-0.55	C-0.55	C-0.55
351, 400	16 ga.	D-1.31	D-1.31	D-1.00	D-0.85	D-0.70	D-0.55	C-0.55	C-0.55
401, 450	NOT DESIGNED	E-1.31	E-1.31	E-1.00	E-0.85	E-0.70	D-0.55	D-0.55	C-0.55
451, 500		F-1.61	F-1.31	F-1.00	E-0.85	E-0.70	D-0.70	D-0.55	D-0.55
501, 550		F-1.61	F-1.31	F-1.00	F-0.85	F-0.70	E-0.70	E-0.55	D-0.55
551, 600			G-1.31	G-1.00	F-0.85	F-0.85	E-0.70	E-0.70	E-0.70
601. 650			H-1.61G	G-1.31	G-1.00	F-0.85	F-0.70	E-0.70	E-0.55
651, 700			H-1.61G	H-1.31G	H-1.00G	G-0.85	F-0.70	F-0.70	E-0.70
701, 750				H-1.31G	H-1.31G	G-0.85	F-0.70	F-0.70	E-0.70
750, 900				I-1.61H	I-1.31H	H-1.00G	H-0.85G	G-0.70	F-0.70
901, 1000					I-1.61H	I-1.31G	H-1.00G	H-0.85G	G-0.85
1001, 1200						I-1.31H	I-1.31H	I-0.85G	H-0.85G
1201, 1300						J-1.61H	I-1.31H	I-1.00G	I-0.85G
1301, 1500							J-1.31H	I-1.00H	I-0.85G
1501, 1800							K-1.61I	J-1.31I	J-1.00H
1801, 2100								L-1.61J	K-1.31I
2101, 2400								It-1.61	L-1.31J
2401, 2700								Jt-1.61	L-1.31
2700, 3000							Jt-1.61	Kt-1.31	

See page 1-15. Circle in the Table denotes only column numbers. For column 2, see Fig. 1-7. For column 3 through 9, see Introduction to Schedules. The number in the box is minimum duct gage; the alphabet letter is the minimum reinforcement grade for joints and intermediates occurring at a maximum spacing interval in the column heading. A letter to the right of the gage gives a tie rodged reinforcement alternative. A "t" compels use of tie rod(s) for the reinforcement listing. For beading or crossbreaking see Fig. 1-8.





10" WG STATIC NEGATIVE	TABLE 1-9 RECTANGULAR DUCT REINFORCEMENT								
	NO REINFORCE- MENT REQUIRED	REINFORCEMENT CODE FOR DUCT GAGE NO.							
		REINFORCEMENT SPACING OPTIONS							
DUCT DIMENSION		10'	8'	6'	5'	4'	3'	2 1/2'	2'
①	②	③	④	⑤	⑥	⑦	⑧	⑨	⑩
8"dn.	22 ga.	NOT REQUIRED		C-20	C-24	C-26	C-26	C-26	C-26
9, 10"	18 ga.			C-20	C-22	C-24	C-26	C-26	C-26
11, 12"	16 ga.	C-18		D-20	D-22	D-24	C-26	C-26	C-26
13, 14"	16 ga.	D-18		D-20	D-22	C-24	C-26	C-26	C-26
15, 16"		E-16		D-20	D-22	D-24	D-26	C-26	C-26
17, 18"		F-16		E-20	E-22	E-24	D-26	D-26	C-26
19, 20"		G-16		F-20	E-22	E-24	D-24	D-26	D-26
21, 22"				H-18G	G-18	G-20	F-24	F-24	E-26
23, 24"				H-18G	H-18G	H-20G	G-24	F-24	F-26
25, 26"				I-16G	H-18G	H-20G	G-22	F-24	E-24
27, 28"				I-16G	I-18G	H-20G	H-22G	G-24	F-24
29, 30"					I-16G	I-18G	H-22G	H-24G	G-24
31-36"					J-16H	I-18H	I-20G	H-22G	H-24G
37-42"						J-16I	I-18G	I-20H	I-22G
43-48"		NOT DESIGNED					J-18I	I-18H	I-22H
49-54"							K-16I	J-18H	I-20H
55-60"							L-16I	K-18I	J-20I
61-72"								L-16I	L-18I
73-84"									L-16J
85-96"									Lt-16J
97-108"									Lt-16
109-120"									Lt-16

See page 1-15. Circle in the Table denotes only column numbers. For column 2, see Fig. 1-7. For column 3 through 9, see Introduction to Schedules. The number in the box is minimum duct gage; the alphabet letter is the minimum reinforcement grade for joints and intermediates occurring at a maximum spacing interval in the column heading. A letter to the right of the gage gives a tie rodged reinforcement alternative. A "t" compels use of tie rod(s) for the reinforcement listing. For beading or crossbreaking see Fig. 1-8.

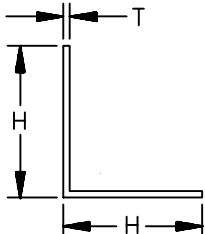
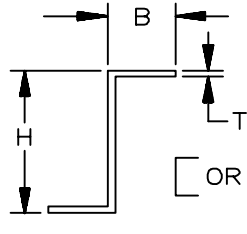
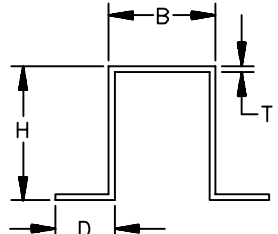


2500 PA	TABLE 1-9M RECTANGULAR DUCT REINFORCEMENT								
	WG STATIC POS. OR NEG.	NO REINFORCE- MENT REQUIRED	REINFORCEMENT CODE FOR DUCT GAGE NO. (mm)						
			REINFORCEMENT SPACING OPTIONS (m)						
			3.0	2.4	1.8	1.5	1.2	0.90	0.75
① (mm)	② (mm)	③	④	⑤	⑥	⑦	⑧	⑨	⑩
200 dn.	22 ga.	NOT REQUIRED			C-0.70	C-0.70	C-0.55	C-0.55	C-0.55
230, 250	18 ga.			C-1.00	C-0.85	C-0.70	C-0.55	C-0.55	C-0.55
251, 300	16 ga.		C-1.31	D-1.00	D-0.85	D-0.70	C-0.55	C-0.55	C-0.55
301, 350			D-1.31	E-1.31	E-1.00	D-0.85	D-0.70	D-0.55	C-0.55
351, 400			E-1.61	E-1.31	E-1.00	E-0.85	E-0.70	D-0.70	D-0.55
401, 450			F-1.61	F-1.31	F-1.00	F-1.00	E-0.70	E-0.70	D-0.55
451, 500			G-1.61	G-1.31	G-1.31	F-1.00	F-0.85	E-0.70	E-0.70
501, 550				H-1.31G	G-1.31	G-1.00	F-0.85	F-0.70	E-0.70
551, 600				H-1.31G	H-1.31G	H-1.00G	G-0.85	F-0.70	F-0.70
601, 650				I-1.61G	H-1.31G	H-1.00G	G-0.85	F-0.70	F-0.70
651, 700				I-1.61G	I-1.31G	H-1.31G	H-0.85G	G-0.70	F-0.70
701, 750					I-1.61G	I-1.31G	H-0.85G	H-0.70G	G-0.70
751, 900					J-1.61H	I-1.31H	I-1.00G	H-0.85G	H-0.70G
901, 1000						J-1.61I	I-1.31G	I-1.00H	I-0.85G
1001, 1200							J-1.31I	I-1.31H	I-0.85H
1201, 1300							K-1.61I	J-1.31H	I-1.00H
1301, 1500							L-1.61I	K-1.31I	J-1.00I
1501, 1800								L-1.61I	L-1.00I
1801, 2100									L-1.61J
2101, 2400									Lt-1.61J
2401, 2700									Lt-1.61
2701, 3000									Lt-1.61
			NOT DESIGNED						

See page 1-15. Circle in the Table denotes only column numbers. For column 2, see Fig. 1-7. For column 3 through 9, see Introduction to Schedules. The number in the box is minimum duct gage; the alphabet letter is the minimum reinforcement grade for joints and intermediates occurring at a maximum spacing interval in the column heading. A letter to the right of the gage gives a tie rodged reinforcement alternative. A "t" compels use of tie rod(s) for the reinforcement listing. For beading or crossbreaking see Fig. 1-8.



**TABLE 1-10 INTERMEDIATE REINFORCEMENT**

REINF. CLASS	 <b>ANGLE</b>		 <b>CHANNEL OR ZEE</b>		 <b>HAT SECTION</b>		
	El*	H x T (MIN)	WT LF	H x B x T (MIN)	WT LF	H x B x D x T (MIN)	WT LF
<b>A</b>	0.43	Use C		Use B		Use F	
<b>B</b>	1.0	Use C		3/4 x 1/2 x 20 ga.	0.24	Use F	
<b>C</b>	1.9	C1 x 16 ga. C3/4 x 1/8	0.40 0.57	3/4 x 1/2 x 18 ga. 1 x 3/4 x 20 ga.	0.31	Use F	
<b>D</b>	2.7	H3/4 x 1/8 C1 x 1/8	0.57 0.80	1 x 3/4 x 18 ga.	0.45	Use F	
<b>E</b>	6.5	C1 1/4 x 12 ga. H1 x 1/8	0.90	2 x 1 1/8 x 20 ga.	0.60	Use F	
<b>F</b>	12.8	H1 1/4 x 1/8	1.02	1 1/2 x 3/4 x 18 ga.	0.54	1 1/2 x 3/4 x 5/8 x 18 ga. 1 1/2 x 1 1/2 x 3/4 x 20 ga.	0.90 0.83
<b>G</b>	15.8	1 1/2 x 1/8	1.23	1 1/2 x 3/4 x 16 ga.	0.66	1 1/2 x 3/4 x 5/8 x 18 ga.	0.80
<b>H</b>	22 (+) 26.4 (-)	1 1/2 x 3/16 2 x 1/8	1.78 1.65	1 1/2 x 3/4 x 1/8	1.31	1 1/2 x 1 1/2 x 3/4 x 18 ga. 2 x 1 x 3/4 x 20 ga.	1.08 0.90
<b>I</b>	69	C2 x 3/16 2 1/2 x 1/8	2.44 2.10	2 x 1 1/8 x 12 ga. 3 x 1 1/8 x 16 ga.	1.60 1.05	2 x 1 x 3/4 x 16 ga.	1.44
<b>J</b>	80	H2 x 3/16 C2 x 1/4 2 1/2 x 1/8 (+)	2.44 3.20 2.10	2 x 1 1/8 x 1/8.	1.85	2 x 1 x 3/4 x 12 ga. 2 1/2 x 2 x 3/4 x 18 ga.	2.45 1.53
<b>K</b>	103	2 1/2 x 3/16	3.10	3 x 1 1/8 x 12 ga.	2.00	2 1/2 x 2 x 3/4 x 16 ga. 3 x 1 1/2 x 3/4 x 16 ga.	1.88 2.00
<b>L</b>	207	H2 1/2 x 1/4	4.10	3 x 1 1/8 x 1/8	2.29	2 1/2 x 2 x 3/4 x 1/8 3 x 1 1/2 x 3/4 x 12 ga.	3.70 3.40

See page 1-15. \*Effective El is number listed times 10<sup>6</sup> before adjustment for bending moment capacity. Plus (+) or minus (-) is a pressure mode restriction. Both modes are accepted when neither is given. C and H denote cold formed and hot rolled ratings; when neither is listed, either may be used. See tie rod options elsewhere.



**TABLE 1 - 10M INTERMEDIATE REINFORCEMENT**

REINF. CLASS		ANGLE		CHANNEL OR ZEE		HAT SECTION	
		H x T (MIN)	KG LM	H x B x T (MIN)	KG LM	H x B x D x T (MIN)	KG LM
A	0.12	Use C		Use B		Use F	
B	0.29	Use C		19.1 x 12.7 x 1.00	0.36	Use F	
C	0.55	25 x 1.61 C 19.1 x 3.2 C	0.60 0.85	19.1 x 12.7 x 1.31	0.46	Use F	
D	0.78	19.1 x 3.2 H 25 x 3.2 C	0.85 1.19	25 x 19.1 x 1.31	0.67	Use F	
E	1.9	31.8 x 2.75 C 25 x 3.2 C	1.34 1.19	51 x 28.6 x 1	0.89	Use F	
F	3.7	31.8 x 3.2 H	1.52	38.1 x 19.1 x 1.31	0.80	38.1 x 19.1 x 15.9 x 1.31 38.1 x 38.1 x 19.1 x 1.00	1.34 1.24
G	4.5	38.1 x 3.2	1.83	38.1 x 19.1 x 1.61	0.98	38.1 x 19.1 x 15.9 x 1.31	1.19
H	6.3 (+) 7.6 (-)	38.1 x 4.8 51 x 3.2	2.64 2.46	38.1 x 19.1 x 3.2	1.95	38.1 x 38.1 x 19.1 x 1.31 51 x 25 x 19.1 x 1.00	1.61 1.34
I	20	51 x 4.8 C 63.5 x 3.2	3.63 3.13	51 x 28.6 x 2.75 76.2 x 28.6 x 1.61	2.38 1.56	51 x 25 x 19.1 x 1.61	2.14
J	23	51 x 4.8 H 51 x 6.4 C 63.5 x 3.2 (+)	3.63 4.76 3.13	51 x 28.6 x 3.2	2.75	51 x 25 x 19.1 x 2.75 63.5 x 51 x 19.1 x 1.31	3.65 2.28
K	30	63.5 x 4.8	4.61	76.2 x 28.6 x 2.75	2.98	63.5 x 51 x 19.1 x 1.61 76.2 x 38.1 x 19.1 x 1.61	2.80 2.98
L	60	63.5 x 6.4 H	6.10	76.2 x 28.6 x 3.2	3.40	63.5 x 51 x 19.1 x 3.2 76.2 x 38.1 x 19.1 x 2.75	5.51 5.06

See page 1-15. \* Effective E1 is number listed times 10<sup>5</sup> before adjustment for bending moment capacity. Plus (+) or minus (-) is a pressure mode restriction. Both modes are accepted when neither is given. C and denote cold formed and hot rolled ratings; when neither is listed, either may be used. See tie rod options elsewhere.



**TABLE 1-11 TRANSVERSE JOINT REINFORCEMENT**

REINF. CLASS	T-2 STANDING DRIVE SLIP		T-10 STANDING S		T-11 STANDING S		T12 STANDING S		T-13 STANDING S  T-14 STANDING S	
	EP*	H x T	WT	H x T	WT	H x T	WT	H x T	H x T x HR	WT
		LF	LF	LF	LF	LF	LF	LF	LF	LF
A	0.43	Use B		Use B		1/2 x 26 ga.	0.5	Use B		Use D
B	1.0	1 1/8 x 26 ga.	0.4	1 x 26 ga.	0.6	1/2 x 22 ga. 1 x 26 ga.	0.6	1 x 26 ga.	0.7	Use D
C	1.9	1 1/8 x 22 ga.	0.6	1 x 22 ga.	0.8	1 x 22 ga.	0.8	1 x 24 ga.	0.8	Use D
D	2.7	1 1/8 x 18 ga.	0.8	1 1/8 x 20 ga. 1 x 22 ga. (+)	0.9	1 x 20 ga. 1 x 22 ga. (+)	0.9	1 1/2 x 22 ga.	1.0	1 5/8 x 24 ga. 1 1/2 x 1/8 Bar
E	6.5	NOT GIVEN		1 1/8 x 18 ga.	1.0	1 x 18 ga. (+)	1.0	1 x 18 ga. 1 1/2 x 20 ga.	1.2	Use F
F	12.8			Use G				Use G		1 5/8 x 22 ga. 1 1/2 x 1/8 Bar
G	15.8			1 5/8 x 18 ga.	1.3			1 1/2 x 18 ga.	1.3	1 5/8 x 20 ga. 1 1/2 x 1/8 Bar
H	22(+) 26.4 (-)									1 5/8 x 18 ga. 1 1/2 x 1/8 Bar
I	69									2 1/8 x 20 ga. 2 x 2 x 1/8 Angle
J	80				NOT GIVEN					2 1/8 x 20 ga. 2 x 2 x 3/16 Angle
K	103									
L	207									NOT GIVEN

See page 1-15. \*Effective EI is number listed times 10<sup>5</sup> before adjustment for bending moment capacity. Plus (+) or minus (-) is a pressure mode restriction. Both modes are accepted when neither is given. Joints T-2 and T-10 through T-14 are restricted to 30" length at 4" w.g., to 36" length at 3" w.g. and are not recommended for service above 4" w.g.



**TABLE 1-11M TRANSVERSE JOINT REINFORCEMENT**

REINF. CLASS	T-2 STANDING DRIVE SLIP		T-10 STANDING S		T-11 STANDING S		T-12 STANDING S		T-13 T-14 STANDING S		
	EI*	H x T (mm)	KG LM	H x T (mm)	KG LM	H x T (mm)	KG LM	H x T (mm)	KG LM	H x T + HR (mm)	KG LM
A	0.13	Use B		Use B		12.7 x 0.55	0.74	Use D		Use D	
B	0.31	28.6 x 0.55	0.6	25 x 0.55	0.9	12.7 x 0.85 25 x 0.55	0.9	25 x 0.55	1.0	Use D	
C	0.57	28.6 x 0.85	0.9	25 x 0.85	1.2	25 x 0.70	1.2	25 x 0.70	1.2	Use D	
D	0.81	28.6 x 1.31	1.2	28.6 x 1.00 25 x 0.85 (+)	1.3	25 x 1.00	1.3	Use E		41.3 x 0.70 (-) 38.1 x 3.2 Bar	2.1
E	2	NOT GIVEN		28.6 x 1.31	1.5	NOT GIVEN		25 x 1.31	1.8	Use F	
F	4			Use G				Use G		41.3 x 0.85 38.1 x 3.2 Bar	2.2
G	5			41.3 x 1.31	1.9			38.1 x 1.0	1.9	41.3 x 1.0 38.1 x 3.2 Bar	2.6
H	7			41.3 x 1.31 38.1 x 3.2 Bar	3.0						
I	21			54 x 1.0 51 x 51 x 3.2 Angle	4.3						
J	24			54 x 1.0 51 x 51 x 4.76 Angle	5.5						
K	31			NOT GIVEN							
L	62										

See page 1-15. \* Effective EI is number listed in kiloNewton-meters square (kN-m<sup>2</sup>) before adjustment for bending moment capacity. Plus (+) or minus (-) is a pressure mode restriction. Both modes are accepted when neither is given. Joints T-2 and T-10 through T-14 are restricted to 1000 Pa to 914 mm.

**TABLE 1-12 TRANSVERSE JOINT REINFORCEMENT**

REINF. CLASS	T-22 COMPANION ANGLES		T-24 FLANGED		T-24a FLANGED		T-25a FLANGED		SLIP-ON FLANGE
	EI*	H x T	WT	T (Nom.)	WT	H x T (Nom.)	T (Nom.)	WT	
			LF		LF			LF	
A	0.43	Use E		Use D		Use D		Use D	
B	1.0	Use E		Use D		Use D		Use D	
C	1.9	Use E		Use D		Use D		Use D	
D	2.7	Use E		26 ga.	0.5	1 x 22 ga.	0.4	26 ga.	0.5
E	6.5	C 1 x 1/8	1.7	24 ga.	0.6	Use F		24 ga.	0.6
F	12.8	H 1 x 1/8	1.7	22 ga.	0.7	1 1/2 x 20 ga.	0.6	22 ga.	0.7
G	15.8	1 1/4 x 1/8	2.1	22 ga. (R) 20 G	1.0	1 1/2 18 ga.	0.8	22 ga. (R) 20 G	1.0
H	22 (+) 26.4 (-)	C 1 1/2 x 1/8 (+) H 1/2 x 1/8 (-)	2.6	+ 18 ga.	1.1	SEE TIE ROD TEXT		+ 18 ga.	1.1
I	69	1 1/2 x 1/4	3.7	20 ga. (R)	1.0			20 ga. (R)	1.0
J	80	1 1/2 x 1/4 (+) 2 x 1/8	4.7	18 ga (R)	1.1			18 ga. (R)	1.1
K	103	2 x 3/16	5	18 ga. (R)	1.1			18 ga. (R)	1.1
L	207	H 2 x 1/4	6.5	18 ga. (R)	1.1			18 ga. (R)	1.1

**Consult  
Manufacturers for  
ratings.**

See page 1-15. \* Effective E1 is number listed times 10<sup>5</sup> before adjustment for bending moment capacity. Plus (+) or minus (-) is a pressure mode restriction. Both modes are accepted when neither is given. For T-22, see tie rod downsized options in Tables 1-3 to 1-9; one rod for two angles. R means Tie Rodded. Accepted Pressure Mode for T-24a is (+) or (-) 2" wg maximum. See Figures 1-2, 1-3, 1-16, and tie rod text.



**TABLE 1-12M TRANSVERSE JOINT REINFORCEMENT**

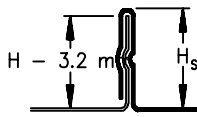
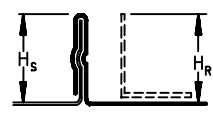
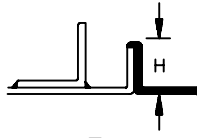
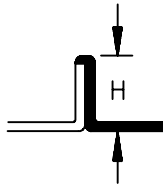
REINF. CLASS	T-22 COMPANION ANGLES		T-24 FLANGED		T-24a FLANGED		T-25a FLANGED		T-25b FLANGED		SLIP-ON FLANGE	
	EI*	H x T	KG LM	T (Nom.)	KG LM	H X T (Nom.)	KG LM	T (Nom.)	KG LM			
A	0.12	Use E		Use D		Use D		Use D			Consult Manufacturers for ratings.	
B	0.29	Use E		Use D		Use D		Use D				
C	0.55	Use E		Use D		Use D		Use D				
D	0.78	Use E		0.55		25 x 0.85	0.6	0.55				
E	1.90	25 x 3.2		0.70	0.9	Use F		0.70	0.9			
F	3.70	H 25 x 3.2		0.85	1.0	38.1 x 1.00	0.9	0.85	1.0			
G	4.50	31.8 x 3.2		0.85 (R) 1.00	1.5	38.1 x 1.31	1.2	0.85 (R) 1.00	1.5			
H	6.3 (+) 7.6 (-)	C (+) H 38.1 x 3.2		1.31	1.6	SEE TIE ROD TEXT		1.31	1.6			
I	20	38.1 x 6.4		1.00 (R)	1.5				1.00 (R)	1.5		
J	23	38.1 x 6.4 (+) 51 x 3.2		1.31 (R)	1.6				1.31 (R)	1.6		
K	30	51 x 4.8		1.31 (R)	1.6				1.31 (R)	1.6		
L	60	51 x 6.4		1.31 (R)	1.6				1.31 (R)	1.6		

See page 1-15. \* Effective EI is number listed times 10<sup>5</sup> before adjustment for bending moment capacity. Plus (+) or minus (-) is a pressure mode restriction. Both modes are accepted when neither is given. C and H denote cold formed and hot rolled ratings; when neither is listed, either may be used. See tie rod options elsewhere.





**TABLE 1- 13 TRANSVERSE JOINT REINFORCEMENT**

MINIMUM RIGIDITY CLASS	T15 STANDING SEAM		STANDING SEAM OR WELDED FLANGE REINFORCED						T- 21 WELDED FLANGE	
										
	T15 STANDING SEAM		STANDING SEAM OR WELDED FLANGE REINFORCED						T- 21 WELDED FLANGE	
			26 TO 22 GA. DUCT			20 TO 16 GA. DUCT				
	EI*	H <sub>S</sub> x T	WT	ANGLE	WT	H <sub>S</sub>	H <sub>S</sub> x T (MIN)	WT	H <sub>S</sub> x T	WT
			LF	H <sub>R</sub> X T	LF			LF		LF
A	0.43	1/2 x 24 ga.	0.2	↑	1.0		↑		1/2 x 22 ga.	0.1
B	1.0	3/4 x 24 ga.	0.3						1/2 x 16 ga.	0.2
C	1.9	Use D	0.5						3/4 x 18 ga.	0.3
D	2.7	3/4 x 16 ga. 1 x 20 ga.	0.3	1"	1.0				1 1/4 x 18 ga. (+) 1 1/4 x 22 ga. (*)	0.4
E	6.5	1 x 16 ga.	0.7	1"	1.4	1"	1 x 1 x 1/8	1.0	1 1/4 x 16 ga. 1 1/2 x 20 ga. (+)	0.5
F	12.8	1 1/2 x 18 ga. (*)	0.8	Use G	1.8	1 1/4"	1 1/4 x 1 1/4 x 12 ga.	1.7	1 1/2 x 16 ga. (+)	0.6
G	15.8	1 1/2 x 18 ga. (+)	0.8	1 1/2"	2.0	1 1/2"	1 1/4 x 1 1/4 x 1/8	2.4	SEE T•21a AND TIE ROD OPTIONS	
H	22 (+) 26.4 (*)bn	SEE T•16 AND TIE ROD OPTIONS		1 1/2"	2.7	1 1/2"	1 1/2 x 1 1/2 x 3/16	2.6		
I	69			1 1/2"		1 1/2"	2 x 2 x 1/8	2.7		
J	80			Use K	3.5	1 1/2"	2 x 2 x 3/16	3.5		
K	103			1 1/2"	4.1	1 1/2"	2 1/2 x 2 1/2 x 3/16	4.1		
L	207			Not Given						

See page 1•15. \* Effective EI is number listed times 10<sup>5</sup> before adjustment for bending moment capacity. Plus (+) or minus (-) is a pressure mode restriction. Both mode are accepted when neither is given. C and H denote cold formed and hot rolled ratings; when neither is listed, either may be used. See tie rod options elsewhere.

**TABLE 1- 13M TRANSVERSE JOINT REINFORCEMENT**

REINF. CLASS	STANDING SEAM OR WELDED FLANGE REINFORCED										T- 21 WELDED FLANGE
	T- 15 STANDING SEAM			0.55 to 0.85 DUCT (mm)					1.00 to 1.61 DUCT (mm)		
	$H_S \times T$	KG LM	$H_S$ (mm)	ANGLE $H_R \times T$	KG LM	$H_S$ (mm)	ANGLE $H_R \times T$ (MIN) (mm)	KG LM	$H_S \times T$ (mm)	KG LM	
A	0.12	12.7 x 0.70	0.3		Use D			Use E		12.7 x 0.85	0.1
B	0.29	19.1 x 0.70	0.4		Use D			Use E		19.1 x 1.61	0.3
C	0.55	Use D			Use D			Use E		19.1 x 1.31	0.4
D	0.78	19.1 x 1.61 25 x 1.0	0.5 0.7	25	25 x 25 x 1.61	1.5		Use E		25 x 1.3 (+) 31.8 x 0.85 (+)	0.6 0.4
E	1.9	25 x 1.61	1.0	25	25 x 3.2	2.1	25	25 x 3.2	2.1	31.8 x 1.61 38.1 x 1.0 (+)	0.7
F	3.7	38.1 x 1.31 (*)	1.2		Use G		31.8	31.8 x 2.8	2.5	38.1 x 1.61 (+)	0.9
G	4.5	38.1 x 1.31 (+)	1.2	38.1	38.1 x 3.2	3.0	38.1	38.1 x 3.2	3.6	SEE T•21a AND TIE ROD OPTIONS	
H	6.3 (+) 7.6 (*)	SEE T•16 AND TIE ROD OPTIONS		38.1	51 x 3.2	4.0	38.1	38.1 x 4.8	3.9		
I	20			38.1	51 x 3.8	5.2	38.1	51 x 3.2	4.0		
J	23				Use K		38.1	51 x 4.8	5.2		
K	30			38.1	63.5 x 4.8	6.1	38.1	63.5 x 4.8	6.1		
L	60				Not Given			Not Given			

See page 1- 15. \* Effective E1 is number listed in kiloNewton• meters square (kN•m<sup>2</sup>) before adjustment for bending moment capacity. Plus (+) or minus (-) is a pressure mode restriction. Both mode are accepted when neither is given. C and H denote cold formed and hot rolled ratings; when neither is listed, either may be used. See tie rod options elsewhere.



## 1.10 TIE ROD INSTALLATIONS

**S1.19** Internal ties shall be one of the methods shown in Figures 1- 2 and 1- 3. The restraining member and its connections shall be capable of sustaining a load equal to 75% of the duct construction pressure class load applied as 5.2 pounds per square foot per inch of water gage (101.63 Kg per square meter per kPa) over an area equal to the width of the duct times the reinforcement interval. When more than one tie rod is used at a cross-section of the duct, the design load may be proportionately reduced. For Tables 1-3 through 1-9, duct sizes over 20" (508 mm) have tie rod construction alternatives in many instances.

### S1.19.1 INTERMEDIATE REINFORCEMENT AND JOINT TIE ROD LOADS

The steel tie rod design load Tables 1-14 and 1-14M give the load for both positive and negative pressure service on ducts of 48" (1200 mm) through 120" (3000 mm) at each pressure class.

### S1.19.2 TIE ROD ALTERNATIVES

A tie rod may be attached to any intermediate angle, channel, or zee by Figure 1- 2(A), (B), (C), or (F). When one of these backs up a joint, the attachment options are the same. The attachment of a tie rod member that reinforces a joint is allowed for joints T-3, T-6a, T-8a, T-14, T-16, T-21, T-24, and T-25.

The attachment of tie rods or tie straps as in Figure 1-30 by welding, bolting, riveting, or screwing within one inch (25 mm) of each side of joints T-15, T-21, and the T-24 and T-25 series. Each tie rod may be sized for one half of the load in Table 1-14.

**S1.19.3** Only one tie rod is required for joint T-22. Only one tie rod is required on negative pressure for joints T-15, T-21, T-24, T-25 using Figure 1- 2(G). On 18 gage (1.31 mm) duct with 2" wg (500 Pa) positive pressure a single tie rod for T-21, the pocket side of T-15 or pinned flanges of T-24 and T-25 is accepted as G rating up to 96" (2400 mm).

**S1.19.4** For positive pressure service, several alternatives are available for compliance with Tables 1-14 and 1-14M. Partially or fully threaded tie rod from Tables 1-15 and 1-15M may be used by size readout or the allowable load data may be used for sizing calculations at 150% of the loads in Tables 1-15 and

1-15M. One half inch (12.7 mm) RC conduit may be used. Thinwall (EMT) conduit may be used with these size and load limits applying for Tables 1 through 14: 900 lbs (400 Kg) for 1/2" (12.1 mm); 1340 lbs (600 Kg) for 3/4" (19.1 mm); 1980 lbs (900 Kg) for 1" (25 mm). 1" x 1/8" (25 x 3 mm) strap may be used provided that weld stress does not exceed 13,600 psi (93772 kPa) and that any bolts are sized per Tables 1-15 and 1-15M as minimums.

**S1.19.5** For negative pressure rods, tubing, pipe, or angles are alternatives. The selection steps are as follows:

Step 1: Find the design load for the pressure class and duct width in Table 1-14.

Step 2A: For rods, from Table 1-16 for the length to be used, select a size to meet the load from Table 1-14 or calculate the size needed to limit the compression stress to that associated with a maximum length to radius of gyration ratio ( $L/r_g$ ) or;

Step 2B: For rigid conduit (RC), select from Table 1-17 the smallest size of the length that satisfies the load from Table 1-14 or;

Step 2C: For EMT conduit, select from Table 1-18 the smallest size for the length that satisfies the load from Table 1-14 or;

Step 2D: For pipe, select from Table 1-19 the smallest size for the length that satisfies the load from Table 1-14 or;

Step 2E: For angles, select from Table 1-20 the smallest size for the length that satisfies the load from Table 1-14.

**S1.20** Holes made in the duct wall for tie rod passage shall be of minimum size and shall be sealed in accordance with the provisions of Sections 1.8 and 1.9. Except as limited by joint specifications and certain mandatory uses, tie rod alternatives are indicated in Tables 1-3 through 1-9 for reinforcement sizes listed to the right of duct wall thickness. G denotes the size with tie rod on 22 gage in H-22G nomenclature.

**S1.21** Tie rods shall be galvanized steel. All internal ties, whether of rod, tube, pipe, or angle



for shall be of material having the same nature and corrosion resistance as the duct wall material. Concealed components shall not be subject to nor cause galvanic corrosion. Tie straps, used on positive pressure only, shall be 1" x 1/8" (25 x 3.2 mm) minimum galvanized steel and the smallest edge shall face the airflow.

- S1.22 When the internal ties are integrated with supports such as those in Figure 4- 8, they shall be selected to be suitable for additional duty.
- S1.23 Up to 120" (3048 mm) width ties shall be spaced at even intervals of duct width not exceeding 60" (1524 mm). The use of ties does not void the need to attach reinforcements to the duct wall, however, when ties occur outside the duct, as on two-sided or four-sided reinforcements at positive 4" wg (1000 Pa) and over, the attachment within two inches of the corner is not required. Refer to Figure 1- 11.
- S1.24 Ties shall be attached so that they will not loosen or detach for the selected duct pressure service class nor for an occasional 50% over pressure temporary condition. Threaded inserts placed in pipes and tubes shall be secure at 200% of Table 1–14 design load.
- S1.25 When ties occur in two directions in the same vicinity, they shall either be prevented

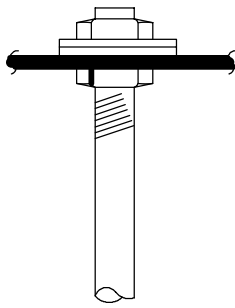
from contacting or be permanently fastened together.

- S1.26 Refer to Figures 1- 2, 1- 3, 1- 12, and 4- 8 for basic tie rod application details on medium and large size ducts.
- S1.27 Ties may be structural components of the duct and used as part of the suspension system for ducts over 96" (2438 mm) in width, provided that the hanger load is directly transmitted to a trapeze or duct reinforcement member beneath the duct.
- S1.28 The construction of ducts of widths greater than 120" (30488 mm) involves the use of tie rods on joints and intermediate reinforcement at intervals not exceeding 60" (1.5 m) for 6" wg (1500 Pa) or less. For 10" wg (2500 Pa) the maximum interval is 48" (1.2 m). See Figure 1- 12 for construction schedules.

#### 1.11 COMMENTARY

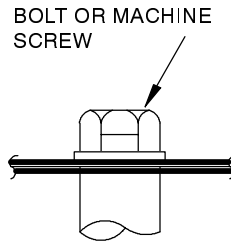
Smaller reinforcements than would otherwise be required can be used when a tie rod is placed in the duct so as to lock reinforcements on opposite sides of the duct together to restrain their bending. Ties can be attached to intermediate reinforcements or to joint-backup-reinforcements or to certain joints able to withstand the forces involved. The term "tie rod" applies to a variety of galvanized steel shapes (*i.e.*, rod, pipe, tube, and angles) or to the use of 1" x 1/8" (25 x 3.2 mm) galvanized steel straps. The duct dimension defines tie rod length. Duct size and weight and operating pressure determine tie rod size, shape and internal geometry. Pipes and angles were not sized for positive pressure because other options seemed more economical; they may be used.





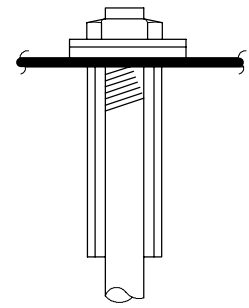
ROD WITH INTERNAL AND EXTERNAL NUTS

(A)



TUBING OR CONDUIT WITH THREADED INSERTS

(B)

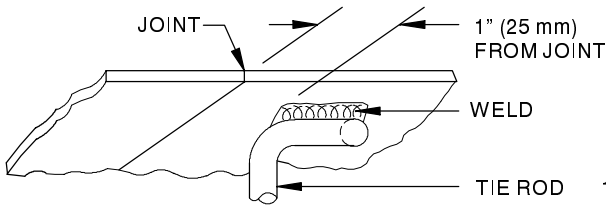


TUBING ENCASED ROD

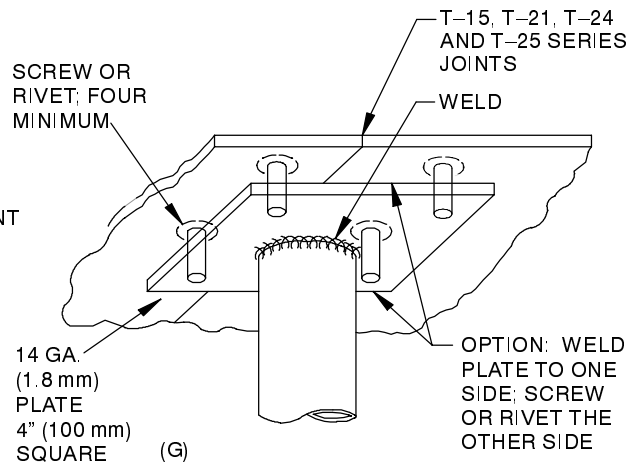
(C)

PIPE, TUBING OR CONDUIT WITHOUT THREADED INSERTS MAY BE BRAZED OR WELDED TO THE DUCT WALL.

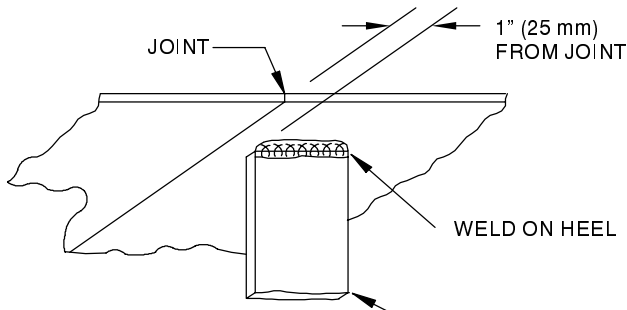
IN GENERAL THESE ARE ALTERNATIVES. FOR SPECIFIC LIMITS SEE TEXT AND FIGURE 1-3.



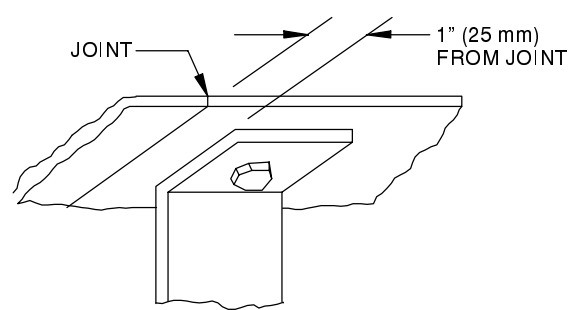
(D)



(G)

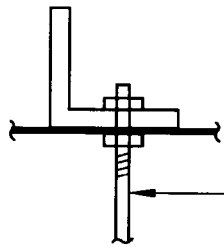


(E)



(F)

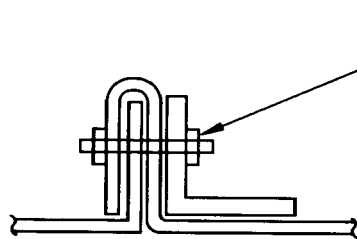
FIGURE 1-2 TIE ROD ATTACHMENTS



TIE INTO INTERMEDIATE TYPE REINFORCEMENT BACKING UP  
T-3, T-6A, T-8A, T-14, T-16,  
T-21, T-24 AND T-25

TIE ROD  
FIGURE 1-2A, B, C OR F

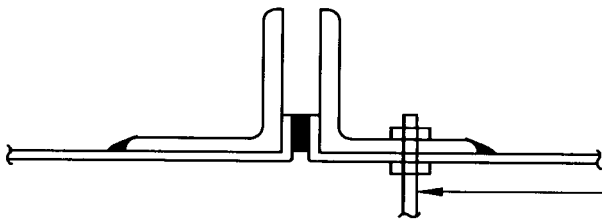
(A)



FASTENERS

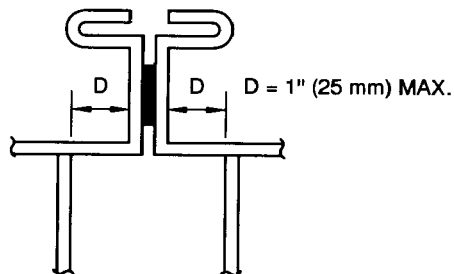
ON NEGATIVE PRESSURES  
OF 4" W.G. (1000 PA) OR  
MORE T-16 AND T-21A  
REINFORCEMENT MUST FASTEN  
TO THE FLANGES. BOLT AT  
8" (200 mm) MAX. INTERVALS

(B)



ONLY ONE TIE AT JOINT T-22

(C)



TIE INTO EACH DUCT SECTION  
END ON JOINTS T-21, T-24,  
AND T-25 UNLESS ANGLE  
OR ZEE BACKUP IS USED.

(D)

SEE TIE ROD TEXT AND SEE ALTERNATIVES ON FIGURE 1-2.

**FIGURE 1-3 TIE ROD ATTACHMENTS**

<b>TABLE 1-14 INTERNAL TIE ROD DESIGN LOAD IN POUNDS</b>																
<b>STATIC PRESSURE CLASS WG''</b>									<b>STATIC PRESSURE CLASS WG''</b>							
W	RS	1/2"	1"	2"	3"	4"	6"	10"	RS	1/2"	1"	2"	3"	4"	6"	10"
48"	6'	47	94	188	282	396	564	940	3'	24	47	94	141	198	282	470
	5'	39	78	156	234	312	468	780	2.5'	20	39	78	117	156	234	390
	4'	33	62	124	186	372	372	620	2'	15	31	62	93	124	186	310
54"	6'	53	105	210	315	630	630	1050	3'	26	53	105	158	210	316	525
	5'	44	88	176	264	528	528	880	2.5'	22	44	88	132	176	264	440
	4'	35	70	140	210	420	420	700	2'	17	35	70	105	140	210	350
60"	6'	59	117	234	351	468	702	1170	3'	34	59	117	176	234	351	585
	5'	49	98	195	294	390	588	980	2.5'	25	49	98	147	195	294	490
	4'	39	78	156	234	312	468	780	2'	20	39	78	167	156	234	390
72"	6'	70	140	280	420	560	840	1400	3'	35	70	140	310	280	620	700
	5'	59	117	234	351	468	702	1170	2.5'	30	59	117	177	234	354	590
	4'	47	94	188	282	376	564	940	2'	23	47	94	142	188	284	470
84"	6'	82	164	328	492	656	984	1640	3'	41	82	164	246	328	492	820
	5'	68	137	274	411	548	822	1370	2.5'	34	68	137	205	274	410	680
	4'	55	109	218	327	436	654	1090	2'	27	55	109	164	218	328	546
96"	6'	94	188	366	564	792	1128	1880	3'	47	94	188	282	396	564	940
	5'	78	156	312	468	624	936	1560	2.5'	39	78	156	234	312	468	780
	4'	62	125	250	375	500	750	1250	2'	31	62	125	187	250	374	620
108"	6'	105	211	422	633	844	1266	2110	3'	52	105	210	315	420	630	1053
	5'	88	176	352	528	704	1056	1760	2.5'	44	88	176	264	352	528	880
	4'	70	140	280	420	560	840	1400	2'	35	70	140	210	288	420	700
120"	6'	117	234	468	702	936	1404	2334	3'	59	117	234	351	468	702	1170
	5'	98	195	390	585	780	1170	1950	2.5'	49	98	195	294	390	588	975
	4'	78	156	312	468	624	936	1560	2'	39	78	156	234	312	468	780

See tie rod text and figures. "W" is width. "RS" is reinforcement spacing . The load basis is 75% of the pressure load on an are equal to width times reinforcement spacing. If more than one tie is used, the load is proportional. Applicable for positive and negative pressure.



**TABLE 1–14M INTERNAL TIE ROD DESIGN LOAD IN KILOGRAMS**

STATIC PRESSURE CLASS Pa									STATIC PRESSURE CLASS Pa								
W (mm)	RS (mm)	125	250	500	750	1000	1500	2500	RS (mm)	125	250	500	750	1000	1500	2500	
1200	1.8	21	42	85	128	179	255	426	0.90	10	21	42	64	89	128	213	
	1.5	17	35	70	106	141	212	353	0.75	9	17	35	53	70	106	177	
	1.2	15	28	56	84	168	168	241	0.60	6	14	28	42	56	84	140	
1330	1.8	24	47	95	142	285	285	476	0.90	11	24	47	71	95	142	238	
	1.5	20	40	80	119	239	239	399	0.75	10	20	40	59	80	119	199	
	1.2	161	31	63	96	190	190	317	0.60	7	15	31	47	63	95	158	
1500	1.8	26	53	106	159	212	318	530	0.90	15	26	53	80	106	159	265	
	1.5	22	44	88	133	176	266	444	0.75	11	22	44	66	88	133	222	
	1.2	17	35	70	106	141	212	353	0.60	9	17	35	75	70	106	177	
1800	1.8	31	63	127	190	254	381	635	0.90	15	31	63	140	127	281	317	
	1.5	26	53	106	159	212	318	530	0.75	13	26	53	80	106	160	267	
	1.2	21	42	95	128	170	264	426	0.60	10	21	42	64	85	128	213	
2100	1.8	37	74	148	223	297	446	743	0.90	18	37	74	111	148	223	372	
	1.5	30	69	124	186	248	372	621	0.75	15	30	62	93	124	186	308	
	1.2	25	49	98	128	197	296	494	0.60	12	25	49	74	98	148	247	
2400	1.8	42	85	166	255	359	511	852	0.90	21	42	85	128	179	255	426	
	1.5	35	70	141	212	283	424	707	0.75	17	35	70	106	141	212	353	
	1.2	28	56	113	170	226	340	567	0.60	14	28	56	84	113	170	281	
2700	1.8	47	95	191	287	382	574	957	0.90	23	47	95	142	190	287	477	
	1.5	40	80	169	239	319	479	798	0.75	20	40	80	119	147	239	399	
	1.2	31	63	127	190	254	381	635	0.60	15	31	63	95	130	190	317	
3000	1.8	53	106	212	318	424	636	1058	0.90	26	53	106	159	212	318	530	
	1.5	44	88	177	265	353	530	884	0.75	22	44	88	133	177	265	442	
	1.2	35	70	141	212	283	424	707	0.60	17	35	70	106	141	212	353	

See tie rod text and figures. “W” is width. “RS” is reinforcement spacing . The load basis is 75% of the pressure load on an area equal to width times reinforcement spacing. If more than one tie is used, the load is proportional. Applicable for positive and negative pressure.





TABLE 1-15 INTERNAL TIE ROD SIZE (+) PRESSURE																	
STATIC PRESSURE CLASS WG''									STATIC PRESSURE CLASS WG''								
W	RS	1/2"	1"	2"	3"	4"	6"	10"	RS	1/2"	1"	2"	3"	4"	6"	10"	
48"	6'						5/16	3/8	3'								
	5'							5/16	2.5'								
	4'							5/16	2'								
54"	6'					5/16	5/16	3/8	3'							5/16	
	5'					5/16	5/16	3/8	2.5'								
	4'							5/16	2'								
60"	6'						5/16	3/8	3'							5/16	
	5'						5/16	3/8	2.5'							5/16	
	4'							5/16	2'								
72"	6'					5/16	3/8	7/16	3'						5/16	5/16	
	5'						5/16	3/8	2.5'							5/16	
	4'						5/16	3/8	2'								
84"	6'				5/16	5/16	3/8	1/2	3'						5/16	3/8	
	5'					5/16	3/8	7/16	2.5'							5/16	
	4'						5/16	3/8	2'							5/16	
96"	6'				5/16	3/8	3/8	1/2	3'						5/16	3/8	
	5'					5/16	3/8	7/16	2.5'							5/16	
	4'					5/16	5/16	7/16	2'							5/16	
108"	6'				5/16	3/8	7/16	5/8	3'						5/16	3/8	
	5'				5/16	5/16	3/8	1/2	2.5'						5/16	3/8	
	4'					5/16	3/8	7/16	2'							5/16	
120"	6'				5/16	3/8	7/16	5/8	3'						5/16	7/16	
	5'				5/16	5/16	3/8	7/8	2.5'						5/16	3/8	
	4'					5/16	3/8	3/8	2'							5/16	

Notes: 1/4" diameter is used in all blank cells in the table.

W is width. RS is reinforcement spacing.

Whenever tie rod exceeds 36", 3/8" diameter is the minimum size.

When duct width is between listed sizes, selection must be made for the larger W.

Allowable load on galvanized steel rods for Positive Pressure Service:

DIA.	LOAD (LBS)	DIA.	LOAD (LBS)
1/4"	480	7/16"	1600
5/16"	780	1/2"	2130
3/8"	1170	5/8"	3380

This assumes that threaded connections carry the load. If rod(s) are welded to lugs on the duct wall, weld stress must be limited to 13,600 PSI.



**TABLE 1–15M INTERNAL TIE ROD SIZE (+) PRESSURE**

STATIC PRESSURE CLASS Pa									STATIC PRESSURE CLASS Pa								
W (mm)	RS (mm)	125	250	500	750	1000	1500	2500	RS (mm)	125	250	500	750	1000	1500	2500	
1200	1.8						7.9	9.5	0.90 0.75 0.60								
	1.5							7.9									
	1.2							7.9									
1350	1.8					7.9	7.9	9.5	0.90 0.75 0.60							7.9	
	1.5					7.9	7.9	9.5									
	1.2							7.9									
1500	1.8						7.9	9.5	0.90 0.75 0.60							7.9	
	1.5						7.9	9.5								7.9	
	1.2							7.9									
1800	1.8					7.9	9.5	11.1	0.90 0.75 0.60						7.9	7.9	
	1.5						7.9	9.5								7.9	
	1.2						7.9	9.5									
2100	1.8				7.9	7.9	9.5	12.7	0.90 0.75 0.60						7.9	9.5	
	1.5					7.9	9.5	11.1								7.9	
	1.2						7.9	9.5									7.9
2400	1.8				7.9	9.5	9.5	12.7	0.90 0.75 0.60						7.9	9.5	
	1.5					7.9	9.5	11.1								7.9	
	1.2					7.9	7.9	11.1									7.9
2700	1.8				7.9	9.5	11.1	15.9	0.90 0.75 0.60						7.9	9.5	
	1.5				7.9	7.9	9.5	12.7							7.9	9.5	
	1.2					7.9	9.5	11.1									7.9
3000	1.8				7.9	9.5	11.1	15.9	0.90 0.75 0.60						7.9	11.1	
	1.5				7.9	7.9	9.5	11.1							7.9	9.5	
	1.2					7.9	9.5	9.5									7.9

Notes: 6.4 diameter is used in all blank cells in the table.

W is width. RS is reinforcement spacing.

Whenever tie rod exceeds 0.9m, 9.5mm diameter is the minimum size.

When duct width is between listed sizes, selection must be made for the larger W.

Allowable load on galvanized steel rods for Positive Pressure Service:

DIA. (mm)	LOAD (kg)	DIA. (mm)	LOAD (kg)
6.4	217	11.1	725
7.9	353	12.7"	966
9.5	530	15.9	1533

This assumes that threaded connections carry the load. If rod(s) are welded to lugs on the duct wall, weld stress must be limited to 93772 kPa



TABLE 1-16 INTERNAL TIE ROD SIZE (–) PRESSURE							
ROD SPEC	L=	≤-12"	13-18"	19-24"	25-30"	31-36"	37-42"
5/16"-18		125	X				
3/8"-16		232	X				
1/2"-12		824	330	X			
5/8"-11		2143	902	541	X		
3/4"-10			2004	1336	X		
7/8"-9				1845	1384	1107	X
1"-8					2420	1815	1452

Note: Rod specification is diameter and threads per inch. Allowable stress  $\sigma_a$  for steel rod is:

$\sigma_a$	9500	6000	4000	3000	2400
$L/r_g$	≤100	101-125	126-150	151-175	176-200

The table gives maximum allowable load in pounds; see Table 1-14 for assumed loads for various width, pressure, and reinforcement spacing combinations. X means the size is not acceptable at this greater length.



TABLE 1-16M INTERNAL TIE ROD SIZE (-) PRESSURE							
ROD SPEC	L=	≤350 (mm)	330-457 (mm)	482-610 (mm)	635-762 (mm)	787-914 (mm)	940-1066 (mm)
7.9-0.71		56	X				
9.5-0.63		105	X				
12.7-0.47		373	149	X			
15.9-0.43		972	409	245	X		
19.1-0.39			909	606	X		
22.2-0.35				836	627	502	X
25-0.31					1097	823	658

Note: Rod specification is diameter and threads per inch. Allowable stress  $\sigma_a$  for steel rod is:

oa	65502	41370	27580	20685	16548
L/r <sub>g</sub>	≤100	101-125	126-150	151-175	176-200

The table gives maximum allowable load in pounds; see Table 1-14 for assumed loads for various width, pressure, and reinforcement spacing combinations. X means the size is not acceptable at this greater length.



TABLE 1-17 INTERNAL RC CONDUIT SIZE (-) PRESSURE												
COMPRESSED STRESS ALLOWED (PSI)												
				9000	8000	7000	6000	5200	4700	4200	3700	
		$r_g$	$L/r_g=$	130	140	150	160	170	180	190	200	
DIA	TYPE											
1/2"	RC	0.263	LEN.	34"	36"	38"	42"	44"	46"	50"	52"	
			LBS.	2160	1920	1680	1440	1248	1128	1008	888	
3/4"	RC	0.335	LEN.	44"	46"	50"	54"	56"	60"	64"	66"	
			LBS.	2844	2528	2212	1896	1643	1448	1327	1169	
1"	RC	0.423	LEN.				68"	72"	76"	80"	84"	
			LBS.				2820	2444	2209	1974	1739	
1" 1/4	RC	0.542	LEN.							102"	108"	
			LBS.							2680	2361	
1 1/2"	RC	0.625	LEN.								118"	124"
			LBS.								3208	2827
2"	RC	0.79	LEN.									150"
			LBS.									3781

**Notes:**

The table gives maximum length and maximum load; see Table 1-14 for assumed loads. Blank spaces are not economical

RIGID CONDUIT (RC) DATA					
DIA	RIGID CONDUIT			WEIGHT	(+ ) PRESSURE LBS LOAD AT 15,000 PSI
	O.D."	t"	A in <sup>2</sup>	LBS/FT	
1/2"	0.84	0.104	0.240	0.80	3600
3/4"	1.05	0.107	0.316	1.08	4740
1"	1.31	0.126	0.470	1.60	-
1 1/4"	1.66	0.133	0.638	2.08	-
1 1/2"	1.90	0.138	0.764	2.54	-
2"	2.37	0.146	1.022	3.44	-



TABLE 1-17M INTERNAL RC CONDUIT SIZE (-) PRESSURE											
COMPRESSED STRESS ALLOWED (kPa)											
				62055	55160	48265	41370	35854	32406	28959	25511
$r_g$	$L/r_g=$	130	140	150	160	170	180	190	200		
DIA	TYPE										
(mm)		(mm)	LEN.								
12.7	RC	6.7	LEN.	863	914	965	1066	1117	1168	1270	1320
			kg.	980	871	762	653	566	511	457	402
19.1	RC	8.5	LEN.	1117	1168	1270	1371	1422	1524	1625	1676
			kg.	1290	1146	1003	860	745	673	602	530
25	RC	10.7	LEN.				1727	1828	1930	2032	2133
			kg.				1279	1108	1002	872	788
31.8	RC	13.8	LEN.							2590	2743
			kg.							1202	1070
38.1	RC	15.9	LEN.							2997	3150
			kg.							1455	1282
50.8	RC	20.1	LEN.								3810
			kg.								1715

**Notes:**

The table gives maximum length and maximum load; see Table 1-14M for assumed loads. Blank spaces are not economical. Length (LEN) is in mm.

RIGID CONDUIT (RC) DATA					
DIA	RIGID CONDUIT			WEIGHT	(+ ) PRESSURE kg load at 103425 kPa
	O.D."	t"	A in <sup>2</sup>	kg/m	
(mm)	(mm)	(mm)	(sq. mm)		
12.7	21.3	2.6	155	1.19	1633
19.1	26.7	2.7	204	1.61	2150
25	33.3	3.2	303	2.38	-
31.8	42.2	3.4	416	3.1	-
38.1	48.3	3.5	493	3.78	-
50.8	60.2	3.7	659	5.12	-

**Notes:**

F<sub>y</sub> (RC) = 206850 kPa yield strength and D and t are nominal.



TABLE 1-18 INTERNAL EMT CONDUIT SIZE (–) PRESSURE											
COMPRESSED STRESS ALLOWED (PSI)											
				9000	8000	7000	6000	5200	4700	4200	3700
		$r_g$	$L/r_g=$	130	140	150	160	170	180	190	200
DIA	TYPE										
1/2"	EMT	0.235	LEN.	30"	32"	34"	36"	40"	42"	44"	46"
			LBS.	792	704	616	528	458	414	370	325
3/4"	EMT	0.309	LEN.	40"	42"	46"	48"	52"	54"	58"	62"
			LBS.	1206	1072	938	804	697	630	563	496
1"	EMT	0.371	LEN.	48"	52"	54"	58"	62"	66"	70"	74"
			LBS.	1782	1584	1386	1188	1030	930	831	732
1 1/4"	EMT	0.511	LEN.	66"	72"	76"	82"	86"	92"	96"	102"
			LBS.	2655	2360	2065	1770	1534	1386	1239	1091
1 1/2"	EMT	0.592	LEN.	76"	82"	88"	94"	100"	106"	112"	118"
			LBS.	3078	2736	2394	2052	1778	1607	1436	1265
2"	EMT	0.754	LEN.		106"	112"	120"	128"	136"	142"	150"
			LBS.		3480	3045	2610	2262	2044	1827	1609

**Notes:**

The table gives maximum length and maximum load; see Table 1-14 for assumed loads. Blank spaces are not economical

EMT CONDUIT DATA				
DIA	EMT CONDUIT			WEIGHT
	O.D."	t"	A in <sup>2</sup>	LBS/FT
1/2"	0.71	0.042	0.088	0.29
3/4"	0.92	0.049	0.134	0.45
1"	1.16	0.057	0.198	0.65
1 1/4"	1.51	0.065	0.295	0.96
1 1/2"	1.74	0.065	0.342	1.11
2"	2.2	0.065	0.435	1.41



TABLE 1–18M INTERNAL EMT CONDUIT SIZE (–) PRESSURE											
COMPRESSED STRESS ALLOWED (kPa)											
				62055	55260	48265	41370	35854	32406	28959	25511
		$r_g$	$L/r_g=$	130	140	150	160	170	180	190	200
DIA	TYPE										
(mm)	(mm)										
12.7	EMT	5.9	LEN.	762	813	864	914	1016	1067	1118	1168
			kg.	359	319	279	239	207	187	167	147
19.1	EMT	7.8	LEN.	1016	1067	1168	1219	1321	1372	1473	1575
			kg.	547	486	425	364	316	285	255	225
25	EMT	9.4	LEN.	1219	1321	1422	1473	1575	1676	1778	1880
			kg.	808	718	628	538	467	421	377	332
31.8	EMT	12.9	LEN.	1676	1829	1930	2083	2184	2337	2438	2591
			kg.	1204	1070	936	802	695	628	562	494
38.1	EMT	15	LEN.	1930	2083	2235	2388	2540	2692	2845	2997
			kg.	1396	1241	1086	930	806	729	651	573
50.8	EMT	19.1	LEN.		2692	2845	3048	3251	3454	3607	3810
			kg.		1578	1381	1183	1026	927	828	729

**Notes:**

The table gives maximum length and maximum load; see Table 1–14 for assumed loads. Blank spaces are not economical

EMT CONDUIT DATA				
DIA	EMT CONDUIT			WEIGHT
	O.D.”	t”	A in <sup>2</sup>	kg/m
(mm)	(mm)	(mm)	(sq. mm)	
12.7	18	1.1	57	0.43
19.1	23.4	1.2	86	0.67
25	29.5	1.4	128	0.97
31.8	38.4	1.7	190	1.4
38.1	44.5	1.7	221	1.7
50.8	55.9	1.7	281	2.1

**Notes:**

F<sub>y</sub> (EMT) = 241325 kPa yield strength and D and t are nominal.





TABLE 1-19 STEEL PIPE SIZE (-) PRESSURE													
				ALLOWABLE STRESS ALLOWED (PSI)									
				10,000	9000	8000	7000	6000	5200	4700	4200	3700	
DIA.	SCHEDULE	$r_g$	$L/r_g=$	120	130	140	150	160	170	180	190	200	
1/4"	10S	0.169	LEN.	20	22	24	25	27	29	30	32	34	
			LBS.	970	873	776	679	582	504	456	407	359	
	40	0.153	LEN.	20	21	23	24	26	28	29	31	33	
			LBS.	1250	1125	1000	875	750	650	588	525	462	
3/8"	10S	0.217	LEN.	26	28	30	32	35	37	39	41	43	
			LBS.	1240	1116	992	868	744	645	583	521	459	
	40	0.209	LEN.	25	27	29	31	33	35	38	40	42	
			LBS.	1670	1503	1336	1169	1002	868	785	701	618	
1/2"	10S	0.269	LEN.	32	35	38	40	43	46	48	51	54	
			LBS.	1970	1773	1576	1379	1182	1024	926	827	729	
	40	0.261	LEN.	31	34	36	39	42	44	47	49	52	
			LBS.	2500	2250	2000	1750	1500	1300	1175	1050	925	
3/4"	5S	0.349	LEN.	42	45	49	52	56	59	63	66	70	
			LBS.	2010	1809	1608	1407	1206	1045	945	844	744	
	10S	0.343	LEN.	41	44	48	51	55	58	61	65	68	
			LBS.	2520	2268	2016	1764	1512	1310	1184	1058	932	
	40	0.334	LEN.	40	43	47	50	53	57	60	63	67	
			LBS.	3340	3006	2672	2338	2004	1737	1570	1402	1236	
	1"	5S	0.443	LEN.	NOT GIVEN			66	71	75	80	84	88
				LBS.				3100	2658	2304	2082	1860	1639
10S		0.428	LEN.	64				68	73	77	81	85	
			LBS.	2996				2568	2225	2010	1798	1585	
40		0.420	LEN.	63				67	71	75	80	84	
			LBS.	2940				2520	2184	1974	1764	1554	

Lengths (L) in inches and allowable compression load (LD) is in pounds.

Galvanized steel pipes is of ASTM A53, A106, or A120 grade.

Ends are considered pinned.

Blank spaces in the table are not considered economical selections.

For the load from Table 1-14, select a pipe from Table 1-19 that has that load capacity and is within the length limit.



**TABLE 1–19M STEEL PIPE SIZE (–) PRESSURE**

				ALLOWABLE STRESS ALLOWED (kPa)								
				10,000	9000	8000	7000	6000	5200	4700	4200	3700
DIA.	SCHEDULE	r <sub>g</sub>	L/r <sub>g</sub> =	120	130	140	150	160	170	180	190	200
(mm)		(mm)										
6.4	10S	4.3	LEN.	508	559	610	635	686	737	762	813	864
			Kg.	440	396	352	308	264	228	206	184	162
	40	4.1	LEN.	508	533	584	610	660	711	737	787	838
			Kg.	567	510	453	397	340	294	266	238	209
9.5	10S	5.5	LEN.	660	711	762	813	889	940	991	1041	1092
			Kg.	562	506	450	393	337	292	264	236	208
	40	5.3	LEN.	635	686	737	787	838	889	965	1016	1067
			Kg.	757	681	606	530	454	393	356	318	280
12.7	10S	6.8	LEN.	610	889	965	1016	1092	1168	1219	1295	1372
			Kg.	893	804	714	625	536	464	420	375	330
	40	6.6	LEN.	787	864	914	991	1067	1118	1194	1245	1321
			Kg.	1134	1020	907	793	680	589	533	476	419
19.1	5S	8.9	LEN.	1067	1143	1245	1321	1422	1499	1600	1676	1778
			Kg.	911	820	729	638	547	474	442	382	337
	10S	21.8	LEN.	1041	1118	1219	1294	1397	1473	1549	1651	1727
			Kg.	1143	1028	914	800	685	594	537	480	422
	40	8.5	LEN.	1016	1092	1194	1270	1346	1448	1524	1600	1702
			Kg.	1515	1362	1212	1060	909	788	712	636	560
25.4	5S	11.3	LEN.	NOT GIVEN			1676	1803	1905	2032	2134	2235
			Kg.				1406	1205	1045	944	843	743
	10S	10.9	LEN.				1626	1727	1854	1956	2057	2159
			Kg.				1359	1164	1009	911	815	718
	40	10.7	LEN.				1600	1702	1803	1905	2032	2134
			Kg.				1333	1143	990	895	800	704

Lengths (L) in inches and allowable compression load (LD) is in Kilograms.

Galvanized steel pipes is of ASTM A53, A106, or A120 grade.

Ends are considered pinned.

Blank spaces in the table are not considered economical selections.

For the load from Table 1–14, select a pipe from Table 1–19 that has that load capacity and is within the length limit.



**TABLE 1-20  
ALLOWABLE LOAD FOR ANGLES AS COLUMNS  
WITH MAXIMUM UNBRACED LENGTH L**

SIZE	Area IN. <sup>2</sup>	L = 2'		L = 4'		L = 6'		L = 8'	
		A7	A36	A7	A36	A7	A36	A7	A36
2" x 1 1/4" x 3/16"	0.57	13.7	15.2	8.6	8.8	ND		ND	
2" x 2" x 3/16"	0.71	16.9	18.6	13.3	14.5	9.7	9.9	6.3	6.3
2 1/2" x 2 1/2" x 3/16"	0.9	26.1	29.6	22.5	25.1	17.1	18.6	13.9	14.5
3" x 2" x 3/16"	0.9	26.8	29.7	23.9	26.8	21	23.2	18.1	19.5
2" x 2" x 1/4"	0.93	26.2	29.6	21.4	23.5	16.6	17.4	11.5	11.5
3" x 3" x 3/16"	1.09	32.3	36	28.7	32.2	25.1	27.6	21.5	23
3" x 2" x 1/4"	1.19	35.4	39.2	31.4	35.3	27.5	30.3	23.6	25.4
2 1/2" x 2 1/2" x 1/4"	1.19	34.4	39.1	29.6	32.9	24.8	26.8	19.9	20.7

SIZE	Area IN. <sup>2</sup>	L = 10'		L = 12'		L = 14'	
		A7	A36	A7	A36	A7	A36
2" x 2" x 3/16"	0.71	6.1	6.1	ND		ND	
2 1/2" x 2 1/2" x 3/16"	0.9	11.3	11.3	8.6	8.6	ND	
3" x 2" x 3/16"	0.9	15.2	15.8	12.3	12.1	9.6	9.6
2" x 2" x 1/4"	0.93	7.8	7.8	13.8	13.8	ND	
3" x 2" x 1/4"	1.19	19.7	20.4	15.3	15.3	12.3	12.3
2 1/2" x 2 1/2" x 1/4"	1.19	14.8	14.8	11.1	11.1	ND	
3" x 2 1/2" x 1/4"	1.31	27.5	29.3	23.4	24.2	ND	

Notes: Load is in KSI or 1000s of pounds per square inch.

A7 and A36 are grades of steel.

ND means not designed.

Divide the load from Table 1-14 by a trial size angle area (in<sup>2</sup>); divide the result by 1000. If this Ksi load is not in excess of one in Table 1-20 for a listed length that is also not exceeded, the size is acceptable. If unacceptable, select a size with a larger area and check again.

You may interpolate for lengths between those listed.

**TABLE 1-20M  
ALLOWABLE LOAD FOR ANGLES AS COLUMNS  
WITH MAXIMUM UNBRACED LENGTH L**

SIZE	Area mm <sup>2</sup>	L = 609		L = 1219		L = 1829		L = 2438	
		A7	A36	A7	A36	A7	A36	A7	A36
51 x 31.8 x 4.8	367	94.4	104.8	59.2	60.6	ND		ND	
51 x 51 x 4.8	458	136.5	157.8	112.3	123.4	87.5	92.3	61.3	61.3
63.5 x 63.5 x 4.8	580	179.9	204	155.1	173	117.9	128.2	95.8	99.9
76.2 x 51 x 4.8	600	184.7	204	164.7	184.7	144.7	159.9	124.7	134.4
51 x 51 x 6.4	703	180.6	204	147.5	162	114.4	119.9	79.2	79.2
76.2 x 76.2 x 4.8	768	222.7	248.2	197.8	222	173	190.3	148.2	158.5
76.2 x 51 x 6.4	768	244	201.3	216.5	243.3	189.6	208.9	162.7	175.1
63.5 x 63.5 x 6.4		237.1	269.5	204	226.8	170.9	184.7	137.2	142.7

SIZE	Area mm <sup>2</sup>	L = 3048		L = 3658		L = 4267	
		A7	A36	A7	A36	A7	A36
51 x 51 x 4.8	458	42	42	ND		ND	
63.5 x 63.5 x 4.8	580	77.9	77.9	59.2	59.2	ND	
76.2 x 51 x 4.8	580	104.8	108.9	84.8	83.4	66.1	66.1
51 x 51 x 6.4	600	53.7	53.7	95.1	95.1	ND	
76.2 x 51 x 6.4	703	135.8	140.6	105.4	105.4	84.8	84.8
63.5 x 63.5 x 6.4	768	102	102	76.5	76.5	ND	
76.2 x 63.5 x 6.4	845	189.6	202	161.3	166.8	ND	

Notes: Load is in 1000 KPa or 1000 kilopascal. One Ksi equals 6.893 kPa.

A7 and A36 are grades of steel.

ND means not designed.

Divide the load from Table 1-14 by a trial size angle area (in<sup>2</sup>); divide the result by 1000. If this Ksi load is not in excess of one in Table 1-20 for a listed length that is also not exceeded, the size is acceptable. If unacceptable, select a size with a larger area and check again. You may interpolate for lengths between those listed.



## 1.12 COMMENTARY ON ALUMINUM DUCT

The traditional use of aluminum sheet two gages (Brown and Sharp schedule) heavier than standard galvanized sheet gage DOES NOT MEET THE REQUIREMENTS FOR EQUIVALENT STRENGTH AND RIGIDITY. The modulus of elasticity of aluminum is one-third that of steel and the yield strength is approximately one-half that of steel. Thus, aluminum has to be approximately 44% thicker. Table 1-21 gives the metal thickness conversion comparison. Tables 1-22 and 1-23 and notes explain how to adapt the steel duct reinforcement schedules to create comparable aluminum tables. However, tests have not been conducted on all of the indicated constructions to verify that deflections are the same as those of steel, to confirm that all construction will withstand a 50% overload, or to refine the fastener (screw, rivet, etc.) spacing, type, and size. Nevertheless, these provisions are more reliable than the tradition of simply increasing the duct gage by two size numbers. No failure at the rated pressure is anticipated, and none has been reported since this approach was introduced in 1976.

### 1.12.1 Conversion of Steel Tables to Aluminum

To convert the steel tables to aluminum:

1. Select a set of construction requirements for steel duct.
2. Substitute the aluminum thickness in Table 1-21 for the steel duct wall gage.
3. Change the thickness of the flat type of slips and drives (for unreinforced duct) per Table

1-21. If the aluminum thickness exceeds the capacity of the lock forming machine, use .032" (0.81 mm) minimum. The options in Table 1-25 using the flat drive as Class A have not been investigated for aluminum by SMACNA.

4. Find the thickness in dimensions (in steel) of the standing type of joint connector (Tables 1-11, 1-12, or 1-13). Change its thickness per Table 1-21 and change its dimension per the adjusted reinforcement code in Table 1-22. For example, a 1" x 24 ga (25 x 0.70 mm) (Code D) T-10 standing S in steel becomes 1-5/8" x .040" (41 x 1.02 mm) in aluminum.

However, if the joint is one that enfolds an angle or bar (T-13, 14, 18, 19), equivalency is based on changing the thickness of the connector only and retaining a galvanized steel bar or angle. Otherwise, if the bar or angle must be aluminum, change the thickness and dimensions as necessary to accommodate the aluminum extrusions.

Alternative: Use a flat connector, change its thickness per Table 1-21, and back it up with a galvanized steel member from Table 1-10 (attaching it with aluminum fasteners), or back it up with an aluminum angle from Table 1-16 that is equivalent to the required steel angle code.

The alternative of using tie rods is also acceptable for aluminum. It is assumed that the reason for using aluminum duct would necessitate use of aluminum internal tie rods. Round aluminum duct construction is given in Table 3-3.



**RECTANGULAR ALUMINUM DUCT  
ADAPTED FROM 3" WG (750 Pa) OR LOWER**

<b>TABLE 1-21 THICKNESS ADJUSTMENTS</b>							
Galv. Steel Ga. (mm) nominal	28 (0.48)	26 (0.55)	24 (0.70)	22 (0.78)	20 (1.00)	18 (1.31)	16 (1.61)
Min. Alum. equivalent* (mm)	0.023 (0.58)	0.027 (0.69)	0.034 (0.86)	0.043 (1.09)	0.052 (1.32)	0.067 (1.70)	0.083 (2.11)
Commercial size (mm)	0.025 (0.60)	0.032 (0.80)	0.04 (1.00)	0.05 (1.27)	0.063 (1.60)	0.071 (1.80)	0.09 (2.29)
Lbs wt/Sf. Alum.	Consult Appendix-5 for Weights						

\*Alloy 3003-H-14.

<b>TABLE 1-22 DIMENSION ADJUSTMENTS</b>												
Gal. Rigidity Class	A	B	C	D	E	F	G	H	I	J	K	L
Alum. dim. per Galv. Class	C	D	E	F	H	H	I	K	**	**	**	**

<b>TABLE 1-23 REINFORCEMENTS</b>				
<b>Steel Angle Size, Inches</b>	<b>Code</b>	<b>Equivalent Alum.*** Angle Size, Inches</b>	<b>Steel Bar</b>	<b>Alum. Bar***</b>
1 x 1 x 16 Ga. (25 x 25 x 1.61)	C	1 1/4 x 1 1/4 x 1/8 (31.8 x 31.8 x 3.2)	1 x 1/8 (25 x 3.2)	1 1/2 x 1/8 or 1 1/4 x 3/16 (38.1 x 38.1 or 31.8 x 4.8)
1 x 1 x 1/8 (25 x 25 x 3.2)	D	1 1/2 x 1 1/2 x 1/8 (38.1 x 38.1 x 3.2)	1 1/2 x 1/8 (38.1 x 3.2)	1 1/2 x 1/8 or 1 1/4 x 3/16 (38.1 x 38.1 or 31.8 x 4.8)
1 1/4 x 1 1/4 x 1/8 (31.8 x 31.8 x 3.2)	F	1 3/4 x 1 3/4 x 1/8 (44.5 x 44.5 x 3.2)		
1 1/2 x 1 1/2 x 1/8 (31.8 x 31.8 x 3.2)	G	2 1/2 x 2 1/2 x 1/8 (63.5 x 63.5 x 3.2)		
2 x 2 x 1/8 (51 x 51 x 3.2)	H	2 1/2 x 2 1/2 x 3/16 (63.5 x 63.5 x 4.8)		
2 x 2 x 3/16 (51 x 51 x 4.8)	I	2 1/2 x 2 1/2 x 3/8 or 3 x 3 x 1/4 (63.5 x 63.5 x 7.9 or 76.2 x 76.2 x 6.4)		
2 x 2 x 1/4 (51 x 51 x 6.4)	J	2 1/2 x 2 1/2 x 3/8 or 3 x 3 x 1/4 (63.5 x 63.5 x 7.9 or 76.2 x 76.2 x 6.4)		
2 1/2 x 2 1/2 x 3/16 (63.5 x 63.5 x 4.8)	K	3 x 3 x 3/8 or 3 1/2 x 3 1/2 x 1/4 (76.2 x 76.2 x 9.5 or 88.9 x 88.9 x 6.4)		

\*\*\* Alloy 6061- T6 Strength normally.

Any aluminum shape substituted must have a moment of inertia three times that of steel and have 30,000 psi minimum yield stre

- S1.29** For Tables 1-3, 1-4, 1-5, and 1-6, use equivalent sheet thickness from Table 1-21.
- S1.30** For Tables 1-11, 1-12, and 1-13, a connector not using angles or bar stock must have its thickness increased per Table 1-21 and its dimensions increased per Table 1-22.
- S1.31** For Tables 1-11, 1-12, and 1-13, a connector using angles or bar stock must have its aluminum thickness increased per Table 1-21 and must use either aluminum stock or galvanized stock from Table 1-22.
- S1.32** For Table 1-10, use only galvanized steel members in Table 1-23 or the equivalent aluminum members. Use either galvanized steel members of dimensions given or aluminum members having both thickness and dimension conforming to Table 1-23. Other suitable aluminum shapes having a moment of inertia three times that of steel may be used.
- S1.33** Avoid button punch snaplock seams.
- S1.34** Add fasteners as necessary to carry loadings.
- S1.35** Consider the need for dielectric isolation by zinc chromate paint, asphalt impregnated paper, bituminous paint, or other method.
- S1.36** Follow construction details for steel construction standards unless they are superseded by data on this page or by other considerations pertinent to aluminum. Use a lock-forming grade of sheet material.

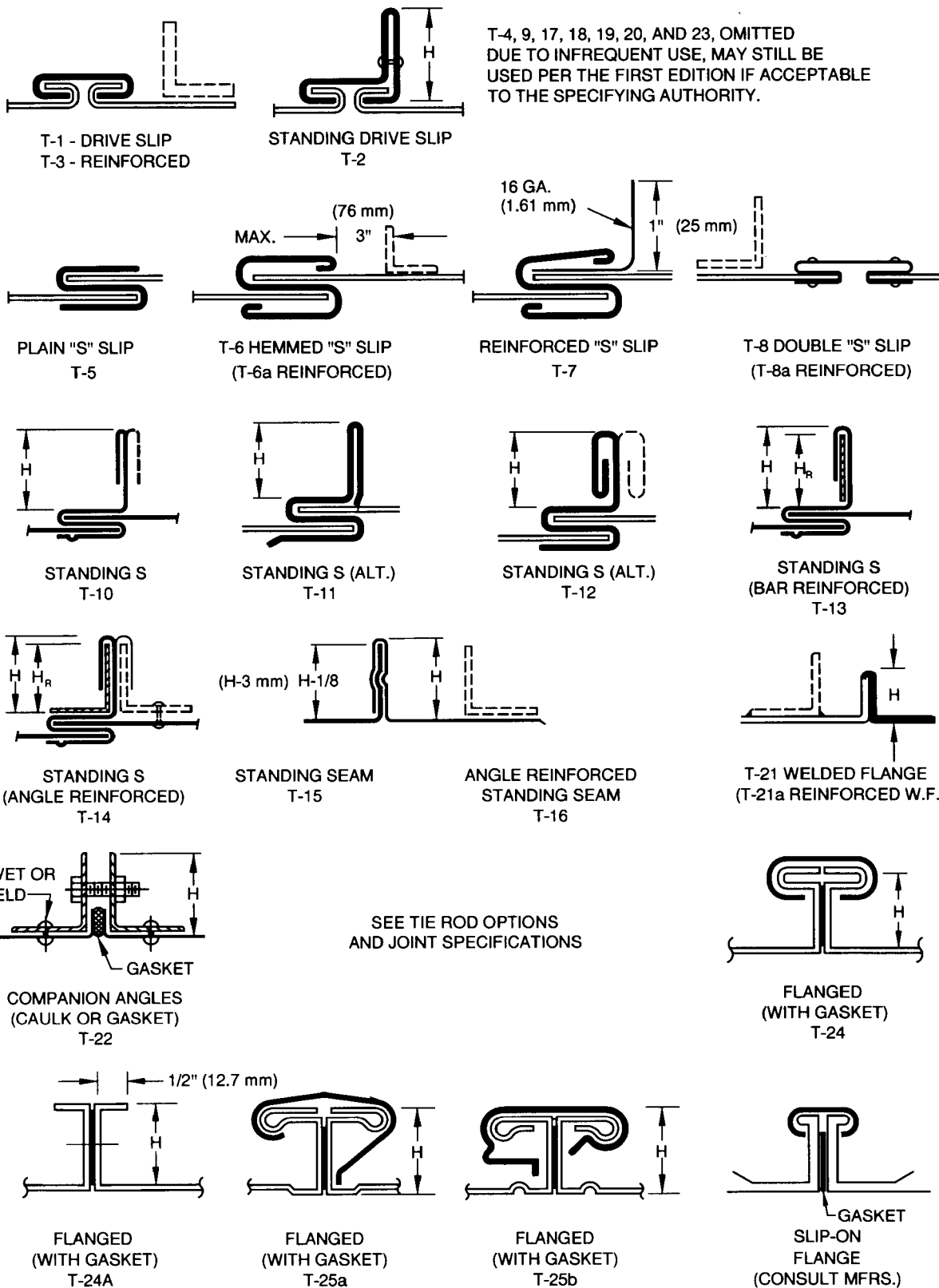


FIGURE 1-4 TRANSVERSE (GIRTH) JOINTS



## 1.13 TRANSVERSE JOINTS FOR RECTANGULAR DUCT

S1.37 Transverse joints shall be selected and used that are consistent with the static pressure class, applicable sealing requirements, materials involved, duct support intervals, and other provisions for proper assembly of ductwork outlined in the construction standards. The precise type, size, location, and material of fastenings used in joint assemblies are sometimes left open to prudent judgment for the specific service. Notching, bending, folding, and fit-up tolerances shall be appropriate for the composite assembly. When there is a choice of materials and methods, do not use such latitude as to create a deficiency in the integrity of the ductwork.

S1.38 See paragraphs 1.8 and 1.9. Where the text and illustrations in sections 1 through 5 indicate certain sealing provisions independent of the provisions in paragraphs 1.8 and 1.9, they apply regardless of exemptions from sealing shown in Table 1–2.

S1.39 Where bar or angle stock is incorporated in a joint, it shall be secured. Where intermediate type reinforcements are used as supplements for joints, they shall be attached to the duct wall within 3" (76 mm) of the joint by weld, bolt, screw, or blind rivet fastening within 2" (51 mm) of duct corners and at intervals not exceeding 12" (305 mm). Exception: where the ends are tied to members on adjacent sides, the fastening to the duct within 2" (51 mm) may be omitted in consideration of the end restraint.

S1.40 Fasteners used on steel duct shall be steel. They may be zinc or cadmium coated. Standard or self-drilling sheet metal screws may be used as appropriate. Blind rivets using pull-through mandrels are not permitted if they leave holes for air leakage. Fastenings shall not project into duct interiors more than 1/2" (13 mm). Where only bolts or welds are

specified, other types of fastening are not allowed.

S1.41 Unless otherwise specified, joints shall comply with all of the provisions in Sections I and II except the commentaries.

## 1.14 NOTES FOR FIGURE 1–4

### *Joint T–1, FLAT DRIVE SLIP*

Use gage not less than two gages less than duct gage, with 24 gage (0.70 mm) minimum. See qualification as class A reinforcement in Table 1–25.

### *Joint T–2, STANDING CORNER DRIVE SLIP*

Fasten standing portions within 2" (51 mm) from each end and elsewhere at intervals of 8" (203 mm) or less. Joint T–2 may be used at any practical length on 2" wg (500 Pa) duct. At higher pressures its use is limited to 36" (0.91 m) at 3" wg (750 Pa) and 30" (0.76 m) at 4" wg (1000 Pa). Service above 4" wg (1000 Pa) is not allowed.

### *Joint T–3, FLAT DRIVE SLIP REINFORCED*

Use slip gages per joint T–1.

### *Joint T–5, T–6, FLAT S SLIPS*

Gage shall be 24 (0.70 mm) minimum but not less than two gages less than duct. When used on all four sides, fasten within 2" (51 mm) of the corners and at 12" (305 mm) maximum intervals. 2" wg (500 Pa) maximum static pressure.

### *Joint T–7, HEMMED S SLIP WITH ANGLE*

Use slips conforming to T–6. Drive an 18 gage (1.31 mm) or 16 gage (1.61 mm) formed angle of 1" (25 mm) height into the slip pocket and fasten with screws at the ends. The angle may only be used for A, B, or C rigidity class on 2" wg (500 Pa) or less.

### *Joint T–8, DOUBLE S*

Use 24 gage (0.70 mm) for 30" (762 mm) width or less, 22 gage (0.85 mm) over 30" (762 mm). Fasten to each section of the duct within 2" (51 mm) from corners and at 6" (152 mm) intervals maximum. 5/8" (16 mm) minimum tabs are required to close corners.

### *Joint T–10, T–11, T–12, STANDING S*



When using S on all four sides, fasten the slip to the duct within 2" (51 mm) of the corner and at 12" (305 mm) maximum intervals. 4" wg (1000 Pa) maximum.

#### *Joint T-13, STANDING S, BAR-REINFORCED*

Fasten as on Joint T-10. The standing portion of this cleat may be formed per illustration T-11 to hold flat bar. Fasten the bar stock to the connector at ends and intermediate positions. 4" wg (1000 Pa) maximum.

#### *Joint T-14, STANDING S, ANGLE-REINFORCED*

Fasten as on Joint T-10. The angle must be fastened to the connector or the duct wall. 4 wg (1000 Pa) maximum length is 30" (750 mm). 3" wg (750 Pa) maximum length is 36" (900 mm). Not recommended for pressure over 4" wg (1000 Pa).

#### *Joint T-15, STANDING SEAM*

Button punch or otherwise fasten within 2" (51 mm) from each corner and at 6" (914 mm) intervals. Seal and fold corners. Stagger joints on adjacent duct sides if using standing seams on all four sides. Hammer longitudinal seam at ends of standing seam.

#### *Joint T-16, STANDING SEAM, ANGLE REINFORCED*

Close seam per Joint T15 notes. Fasten angle to duct within 2" (51 mm) of corners; otherwise, fasten at 12" (305 mm) intervals to duct. Alternative: Fasten angle to the vertical leg of the seam.

#### *Joint T-21, WELDED FLANGE*

Use 5/8" (16 mm) minimum flange and edge weld. Flanges larger than 5/8" (16 mm) must be spot welded, bolted, riveted, or screwed as required to prevent separation and/or weld breakage. On 24 (0.70), 22 (0.85), and 20 (1.00 mm) gage, braze or weld 1/4" x 4" (6.3 x 102 mm) rod in corners or provide hangers at every joint.

#### *Joint T-22, COMPANION ANGLE*

VAN STONE TYPE (with 3/8" (9.5 mm) flange on duct). Angles must have welded corners and be tackwelded, riveted, bolted, or screwed to the duct wall st 12" (305 mm) maximum spacing, beginning and ending with fasteners at corners.

**BOLT SCHEDULE.** Bolts must be 5/16" (8 mm) minimum diameter at 6" (152 mm) maximum spacing on 4" wg (1000 Pa) or lower pressure class and 4" (102 mm) maximum spacing on higher pressures. Exception: 4" (102 mm) maximum spacing must be used on 1/8" (3.2 mm) thick angles at 4" wg (1000 Pa).

**ALTERNATE FLANGE STYLE.** The joint may be formed without the 3/8" (9.5 mm) flange if the duct is held 1/8" (3.2 mm) back from the vertical face of the angle and tackwelded to the flange along the edge of the duct. The angle is otherwise fastened normally. For additional tightness, place sealant between the angle and duct or seal the weld.

If the faces of flanges are flush, thick-consistency sealant may be used in lieu of gasket. Otherwise, use a gasket suitable for the specific service and fit it up uniformly to avoid its protruding inside the duct.

#### *Joint T-24, FORMED FLANGE*

Mating flanges are formed on the ends of the duct in double flange style to create a tee shape when assembled. A minimum of 16 gage (1.61 mm) thickness steel corner pieces with 3/8" (9.5 mm) minimum diameter bolts shall be used to close corners. 1/4" (6.4 mm) by 1/2" (13 mm) minimum gaskets of suitable density and resiliency shall be continuous around the joint and shall be located to form an effective seal. Mating flanges shall be locked together by 6" (152 mm) long clips located within 6" (152 mm) of each corner. Mating flanges shall also be spaced at centers not exceeding 15" (381 mm) for 3" wg (750 Pa) or lower static pressure, and not exceeding 12" (305 mm) for 4" (1000 Pa), 6" (1500 Pa), and 10" (2500 Pa) wg. Flanges may also be assembled per Figure 1-15.

#### *Joint T-24a.*

This is a modified version of T-24 that is assembled per Figure 1-15. Unless supplemental reinforcements are incorporated it is limited to 2" wg (500 Pa) maximum service.

#### *Joint T-25a and T-25b.*

These systems are also known by the trade names TDC® and TDF®, respectively. Assembly specifications are given in Figure 1-15. Ratings in Table 1-12 may be adjusted when combined with E1 rated flat bar stock or members from Table 1-10. The supplemental reinforcements may be attached to the duct

wall on both sides of the joint or use single members if such are fastened through both mating flanges.

*See* Figure 1-4A for a commentary on proprietary joint systems, and see Section VII for joint performance evaluation.

*See* Tables 1-11, 1-12, and T-13 for additional joint specifications.

*See* Figure 1-11 for attachment of joint backup reinforcements to the duct.

*See* Figures 1-2 and 1-3 for use of tie rods.

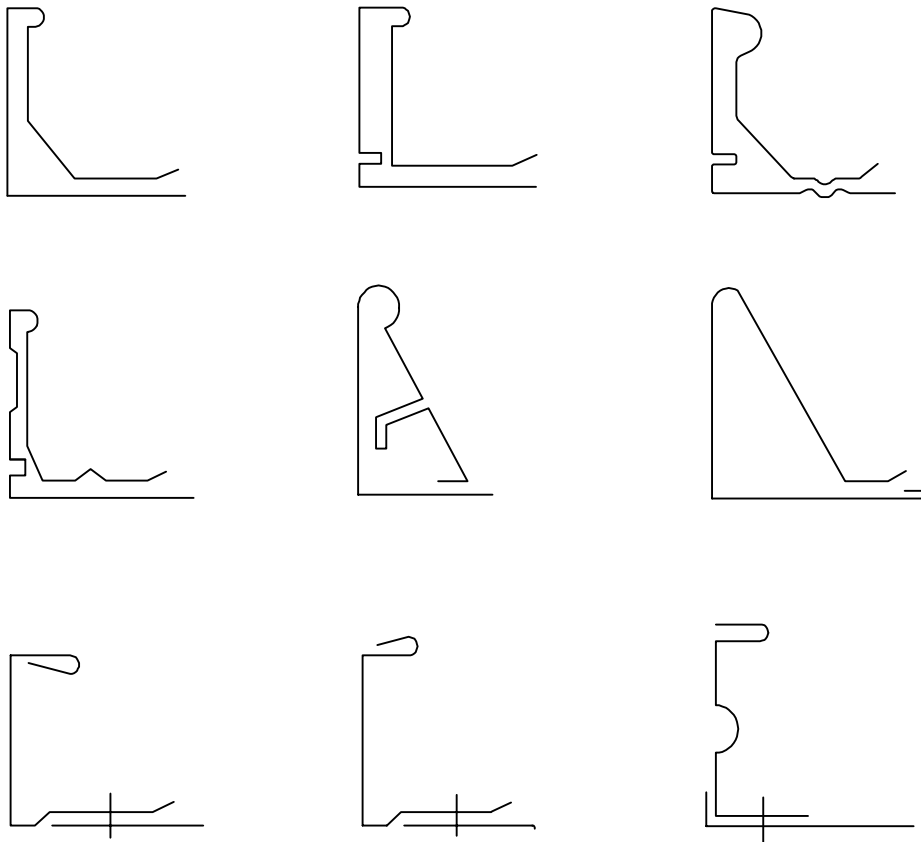
*See* Figures 1-13 through 1-16 for corner closures at joints.

## 1.15 COMMENTS

There are several proprietary duct connection systems available and in use. Because such systems are proprietary or have proprietary elements, SMACNA does not evaluate or grade them. However, SMACNA does encourage the development and use of new technology and it invites authorities to consider alternative constructions. Authorities may evaluate alternatives using analyses and tests such as those described in Section VII of the standards or using other means they deem appropriate. Consult the manufacturers of alternative systems for ratings, assembly requirements and recommendations.

Note that joints previously shown in earlier editions can still be used. T-4, 9, 17, 18, 19, 20, and 23, omitted due to infrequent use, may still be used per the first edition if acceptable to the specifying authority.





There are several proprietary duct connection systems available and in use. Because such systems are proprietary or have proprietary elements SMACNA does not evaluate or grade them. However, SMACNA does encourage the development and use of new technology and it invites authorities to consider alternative constructions. Authorities may evaluate alternatives using analyses and tests such as those described in Section VII of the standards or using other means they deem appropriate.

Figure 1-4A illustrates some of the alternative joint profiles available for rectangular ducts. Gaskets and possibly sealants as well as mechanical fastenings are required for leakage control and joint integrity. Other reinforcement elements may be needed to meet particular qualifications. Consult the manufacturers of alternative systems for ratings, assembly requirements and recommendations. Although the illustrations depict certain flange systems no preference for consideration of these over other alternatives is intended. Furthermore, no infringement of any rights is intended in presenting these illustrations to further acquaint industry with alternatives available.

**FIGURE 1-4A SPECIAL JOINT PROFILES**

## 1.16 LONGITUDINAL SEAMS FOR RECTANGULAR DUCT

- S1.42 Seams shall be selected for the material, pressure classification, and other construction detail appropriate for the service.
- S1.43 Seams shall be formed and assembled with proper dimension and proportion for tight and secure fit up. Notching shall be minimal and consistent with transverse joint make-up needs.
- S1.44 Although they are not illustrated here, seams may be of butt weld, corner weld, plug weld or spot weld design. They may also be of the spiral lockseam type.
- S1.45 Solder for watertight seam closure, when specified, should conform to ASTM Standard B32 or Federal Specification QQ-S-571.

## 1.17 NOTES FOR FIGURE 1-5

### *Type L-1, Pittsburgh Seam*

Pocket depth varies from 1/4" (6.4 mm) to 5/8" (16 mm), depending on the gage of metal and the roll form equipment. The most common sizes are 5/16" (8 mm) and 3/8" (9.5 mm). Use on straight ducts and fittings.

### *Type L-2, Button Punch Snaplock*

5/8" (16 mm) pocket depth is recommended for 20 (1.00), 22 (0.85), and 26 (0.55 mm) gage. It is not recommended for ducts of aluminum or other soft metals. The seam may be used for 4" wg (1000 Pa) static or less. However, screws must be added at the ends on all duct of 4" wg (1000 Pa) class and at the ends on 3" wg (750 Pa) class when the duct is over 48" (1219 mm) width.

### *Type L-3, Grooved Seam*

Type illustrated is known as pipelock, flat lock, or grooved seam.

### *Type L-4, Standing Seam*

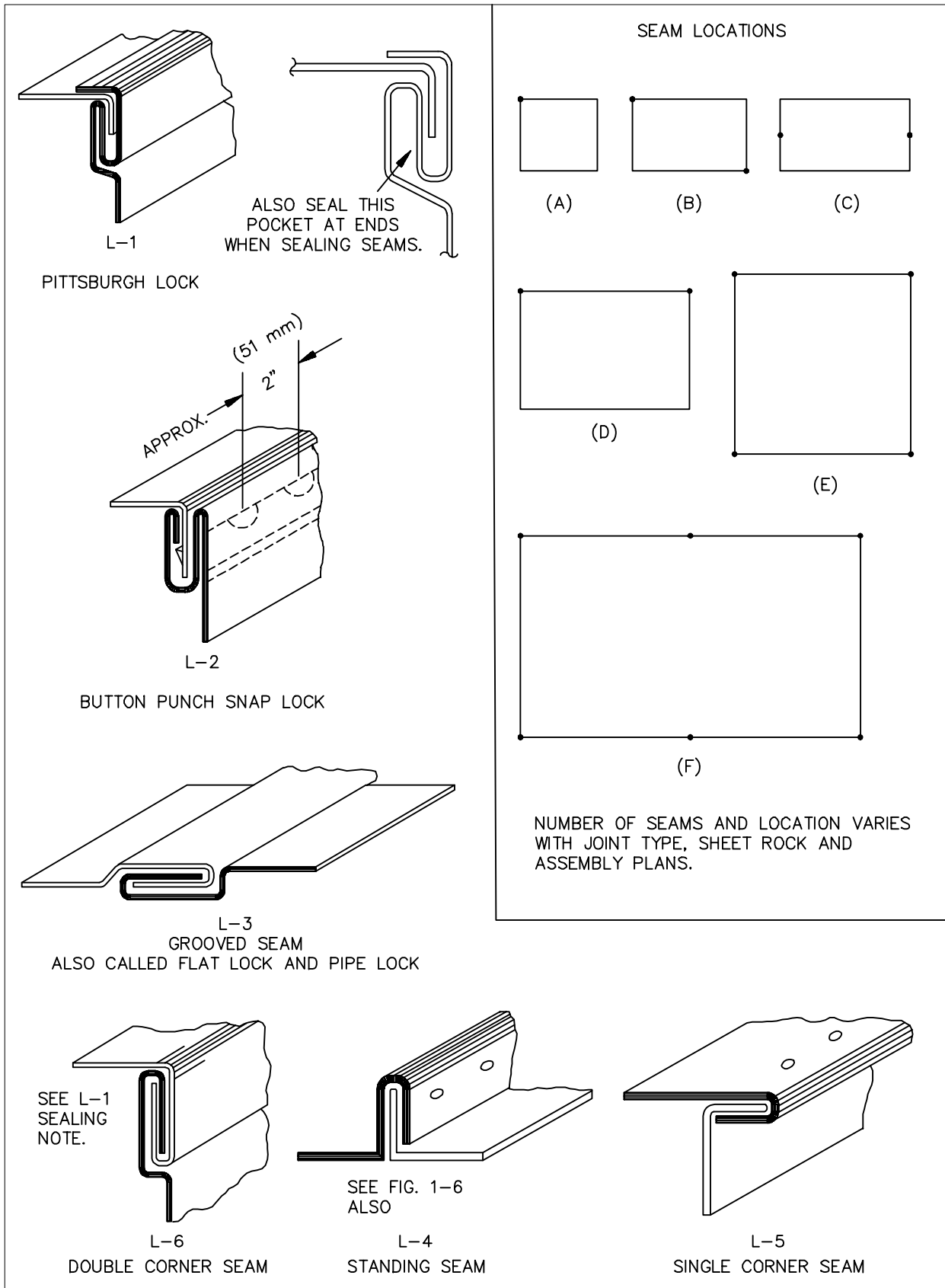
Unless otherwise required by the application, a 1" (25 mm) seam is normally used with duct widths up to 42" (1067 mm) and 1-1/2" (30 mm) seams for larger ducts. Standing seams may be used on duct interiors with due consideration for velocity level. Fasten them together at ends and at 8" (203 mm) intervals. See Figure 1-17 for inside standing seam construction.

### *Type L-5, Single Corner Seam*

The seam is fastened at ends and at 8" (203 mm) intervals.

### *Type L-6, Double Corner Seam*

Machines are available to automatically close this seam. In some localities it is known as a slide lock seam.

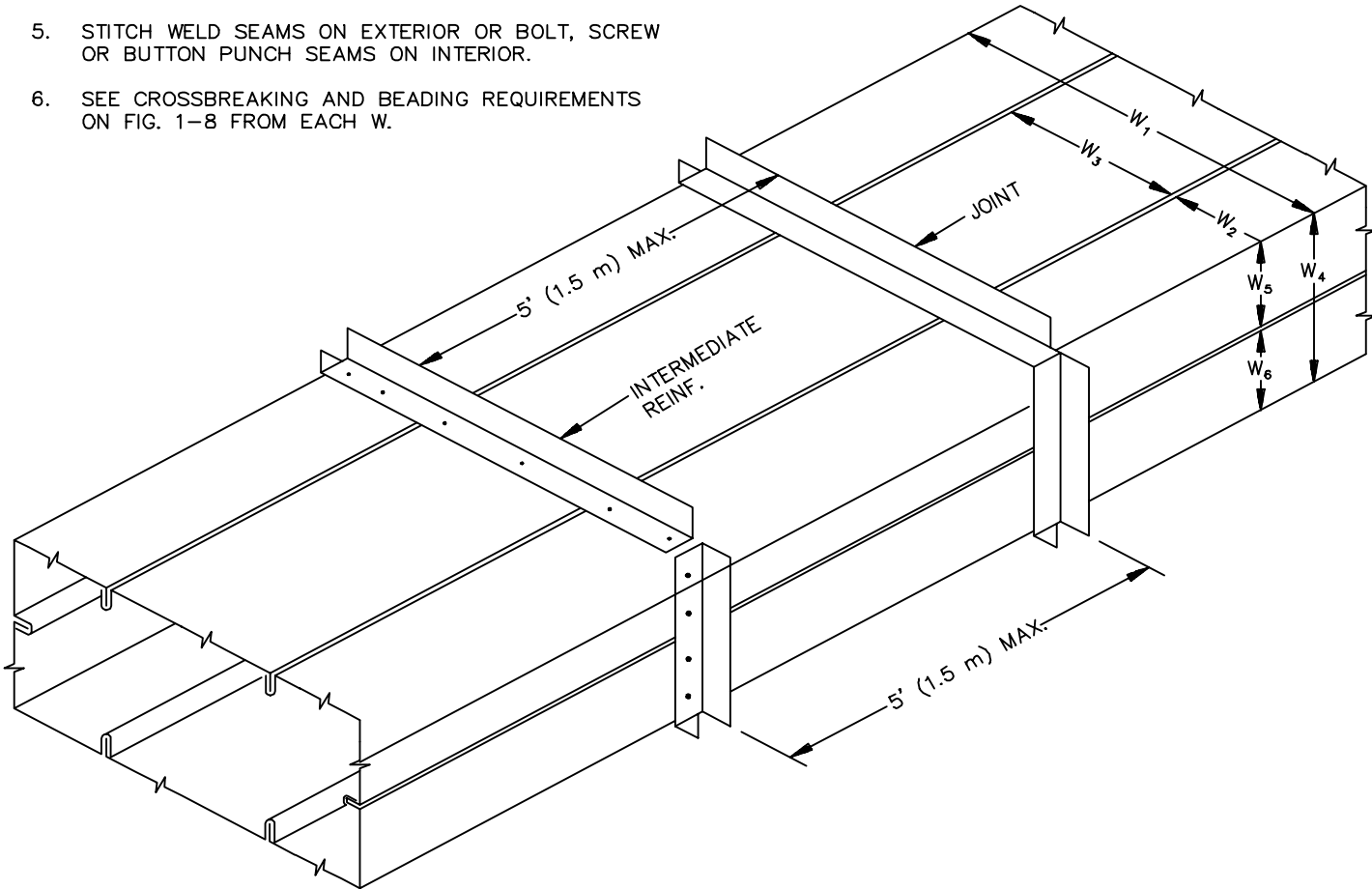


**FIGURE 1-5 LONGITUDINAL SEAMS — RECT. DUCT**



FIGURE 1-6 INSIDE STANDING SEAM —  
LONGITUDINAL — 2" WG (500 PA) MAXIMUM

- NOTES:
1. USE DUCT GAGE REQUIRED BY GREATEST SUBDIVISION OF  $W$  AND THE SELECTED SPACING (5' (1.5 M) MAX.) OR THE UNSEAMED SIDE, WHICHEVER IS GREATER THICKNESS.
  2. SIZE JOINTS FROM TABLES 1-3, 1-4 OR 1-5 FOR  $W_1$  AND  $W_4$  AT 5' (1.5 M) SPACING IF THEY ARE SEAMED. IF UNSEAMED USE ANY LISTED SPACING.
  3. SELECT INTERMEDIATE REINFORCEMENT FROM TABLE 1-10 BASED ON  $W_1$  AND  $W_4$
  4. MINIMUM STANDING SEAM SIZES ARE: 1" (25 mm) FOR DUCTS 42" (1067 mm) AND LESS, 1-1/2" (38.1 mm) FOR 43" (1092 mm) OVERALL WIDTH AND UP.
  5. STITCH WELD SEAMS ON EXTERIOR OR BOLT, SCREW OR BUTTON PUNCH SEAMS ON INTERIOR.
  6. SEE CROSSBREAKING AND BEADING REQUIREMENTS ON FIG. 1-8 FROM EACH  $W$ .



**TABLE 1-24  
UNREINFORCED DUCT  
(WALL THICKNESS)**

DUCT DIMENSION	PRESSURE CLASS (In WG)						
	Positive or Negative						
	1/2"	1"	2"	3"	4"	6"	10"
8" dn	26	26	26	24	24	24	22
9, 10"	26	26	26	24	22	20	18
11, 12"	26	26	24	22	20	18	16
13, 14"	26	24	22	20	18	18	Reinforcement is required.
15, 16"	26	22	20	18	18	16	
17, 18"	26	22	20	18	16	Reinforcement is required.	Reinforcement is required.
19, 20"	24	20	18	16	16		
21, 22"	22	18	16	16	Reinforcement is required.	Reinforcement is required.	Reinforcement is required.
23, 24"	22	18	16	16			
25, 26"	20	18	Reinforcement is required.	Reinforcement is required.	Reinforcement is required.	Reinforcement is required.	Reinforcement is required.
27, 28"	18	16					
29, 30"	18	16	Reinforcement is required.	Reinforcement is required.	Reinforcement is required.	Reinforcement is required.	Reinforcement is required.
31-36"	16						

This table gives minimum duct wall thickness (gage) for use of flat type joint systems. Plain S and hemmed S connectors are limited to 2" wg maximum. Slips and drives must not be less than two gages lighter than the duct wall nor below 24 gage. Double S slips must be 24 gage for ducts 30" wide or less and 22 gage for greater width.

Duct Gage	26 to 22	20	18	16
Minimum Flat Slip and Drive Gage	24	22	20	18

See Figure 1-7 for joint types.





**TABLE 1-24M  
UNREINFORCED DUCT  
(WALL THICKNESS) mm**

DUCT DIMENSION (mm)	PRESSURE CLASS (Pa)						
	Positive or Negative						
	125	250	500	750	1000	1500	2500
200	0.55	0.55	0.55	0.70	0.70	0.70	0.85
201,250	0.55	0.55	0.55	0.70	0.85	1.00	1.31
251,300	0.55	0.55	0.70	0.85	1.00	1.31	1.61
301,350	0.55	0.70	0.85	1.00	1.31	1.31	Reinforcement is Required.
351,400	0.55	0.85	1.00	1.31	1.31	1.61	
401,450	0.55	0.85	1.00	1.31	1.61	Reinforcement is Required.	
451,500	0.70	1.00	1.31	1.61	1.61		
501,550	0.85	1.31	1.61	1.61	Reinforcement is Required.		
551,600	0.85	1.31	1.61	1.61			
601,650	1.00	1.31	Reinforcement is Required.	Reinforcement is Required.	Reinforcement is Required.	Reinforcement is Required.	
651,700	1.31	1.61					
701,750	1.31	1.61	Reinforcement is Required.	Reinforcement is Required.	Reinforcement is Required.	Reinforcement is Required.	
751 to 900	1.61	1.61					
The table gives minimum duct wall thickness (gages) for use of flat type joint systems. Plain S and hemmed S connectors and limited to 500 Pa maximum. Slips and drives must not be less than two gages lighter than the duct wall nor below 0.70 mm. Double S slips must be 0.70 mm for ducts 762 mm wide or less and 0.85 mm for greater width.							
Duct Thickness	0.55 to 0.85			1.00	1.31	1.61	
Minimum Flat Slip and Drive Thickness (mm)	0.07			0.85	1.00	1.31	

**TABLE 1-25  
T-1 FLAT DRIVE ACCEPTED AS REINFORCEMENT**

DUCT WALL	26 ga		24 ga		22 ga		20 ga or Heavier	
Static Pressure	Maximum Duct Width (W) and Maximum Reinforcement Spacing (S)							
	W	S	W	S	W	S	W	S
1/2" wg	20" 18"	10' N.R.	20"	N.R.	20"	N.R.	20"	N.R.
1" wg	20" 14" 12"	8' 10' N.R.	20" 14"	8' N.R.	20" 18"	10' N.R.	20"	N.R.
2" wg	18"	5'	18" 12"	8' N.R.	18" 14"	10' N.R.	18"	N.R.
3" wg	12" 10"	5' 6'	18" 10"	5' N.R.	18" 12"	5' N.R.	18" 14"	6' N.R.
4" wg	Not Accepted		16" 8"	5' N.R.	12" 8"	6' N.R.	12"	N.R.
6" wg			12" 8"	5' N.R.	12" 8"	5' N.R.	12" 10"	6' N.R.

Although the flat drive slip T-1 does not satisfy the EI calculation requirements for Class A or Class B reinforcement, tests predict its suitability for use as reinforcement within the limits of the table.

N.R. — No reinforcement is required; however, the T-1 Joint may be used.



**TABLE 1-25M  
T-1 FLAT DRIVE ACCEPTED AS REINFORCEMENT**

DUCT WALL	0.55 mm		0.70 mm		0.85 mm		1.00 or more mm	
Static Pressure (Pa)	Maximum Duct Width (W) and Maximum Reinforcement Spacing (S)							
	W (mm)	S (mm)	W (mm)	S (mm)	W (mm)	S (mm)	W (mm)	S (mm)
125	508 457	3 N.R.	508	N.R.	508	N.R.	508	N.R.
250	508 356 305	2.4 3 N.R.	508 356	2.4 N.R.	508 457	3 N.R.	508	N.R.
500	457	1.5	457 305	2.4 N.R.	457 356	3 N.R.	457	N.R.
750	305 254	1.5 1.8	457 254	1.5 N.R.	457 305	1.5 N.R.	457 356	1.8 N.R.
1000	Not Accepted		406 203	1.5 N.R.	305 254	1.8 N.R.	305	N.R.
1500			305 203	1.5 N.R.	305 203	1.5 N.R.	305 254	1.8 N.R.

Although the flat drive slip T-1 does not satisfy the EI calculation requirements for Class A or Class B reinforcement, tests predict its suitability for use as reinforcement within the limits of this table.

N.R. — No reinforcement is required; however, the T-1 Joint may be used.

SEE TABLES 1-24 AND 1-25.  
DUCTS WITH FLAT SLIP CONNECTORS  
AND NO REINFORCEMENT  
SEE OTHER FIGURES AND TEXT  
FOR COMPLETE REQUIREMENTS  
AND LIMITATIONS

JOINT OPTIONS

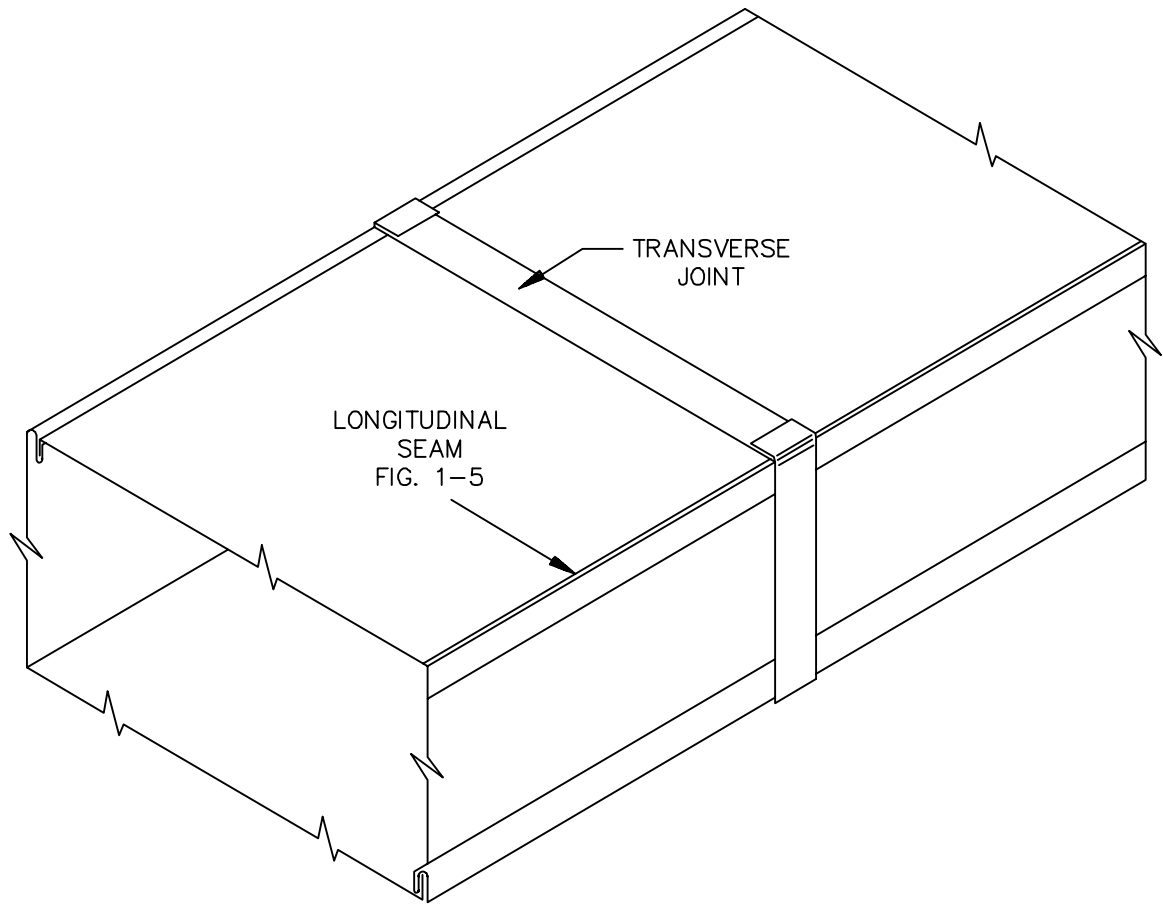
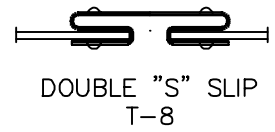
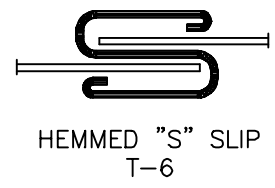
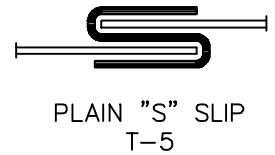


FIGURE 1-7 UNREINFORCED DUCT





FIGURE 1-8 CROSS-BROKEN AND BEADED DUCT

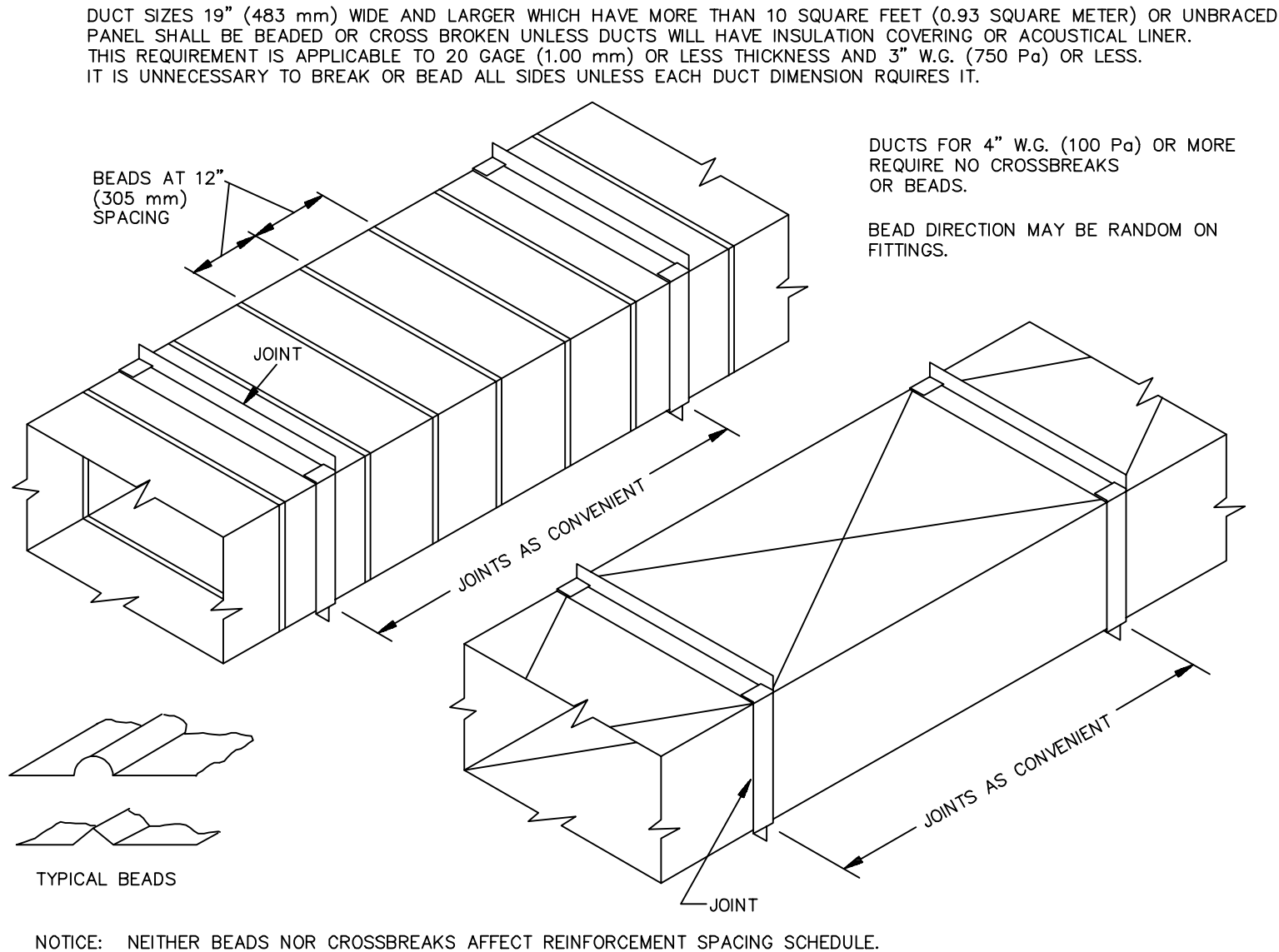




FIGURE 1-9 DUCT REINFORCED ON TWO SIDES

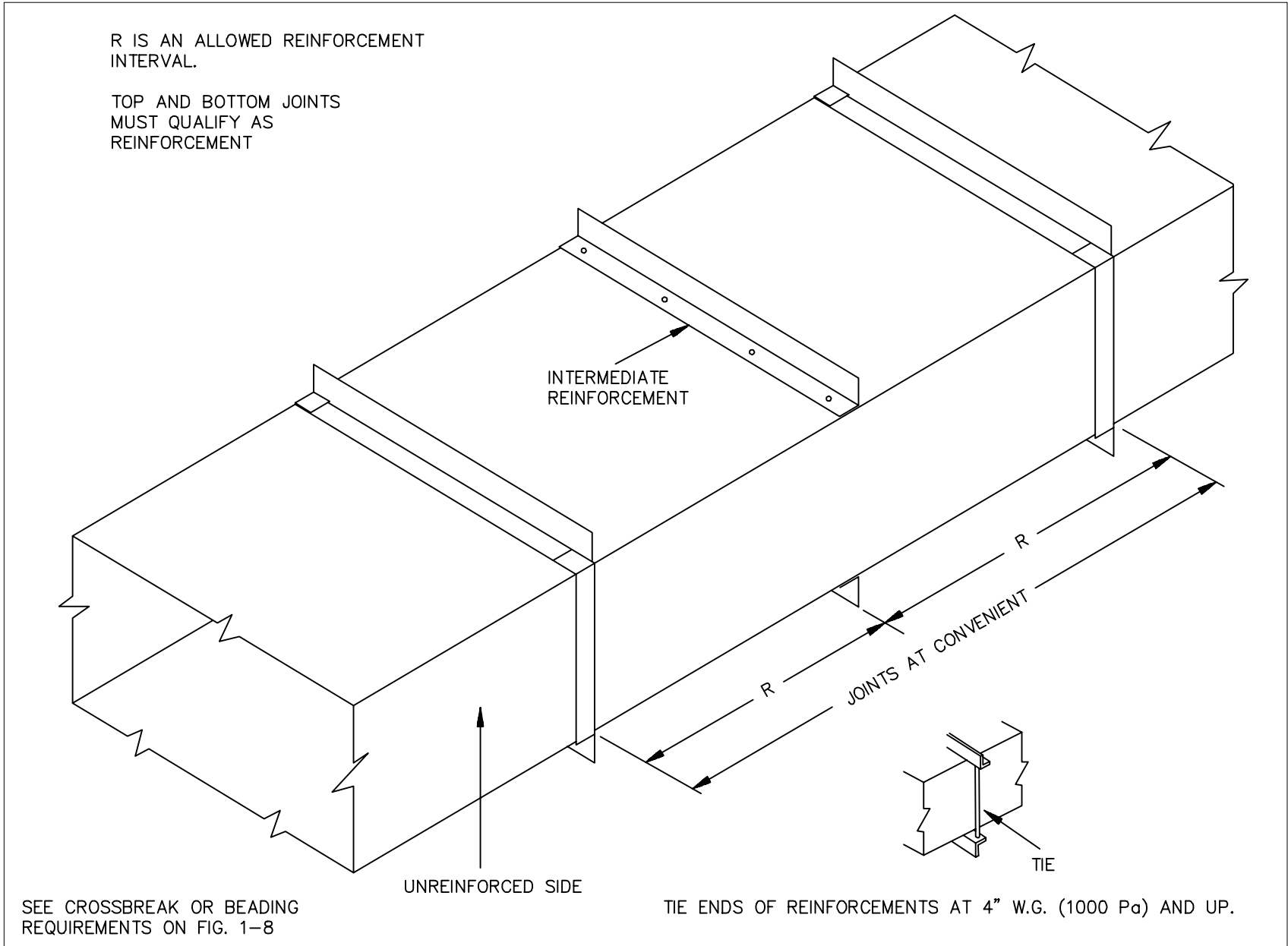
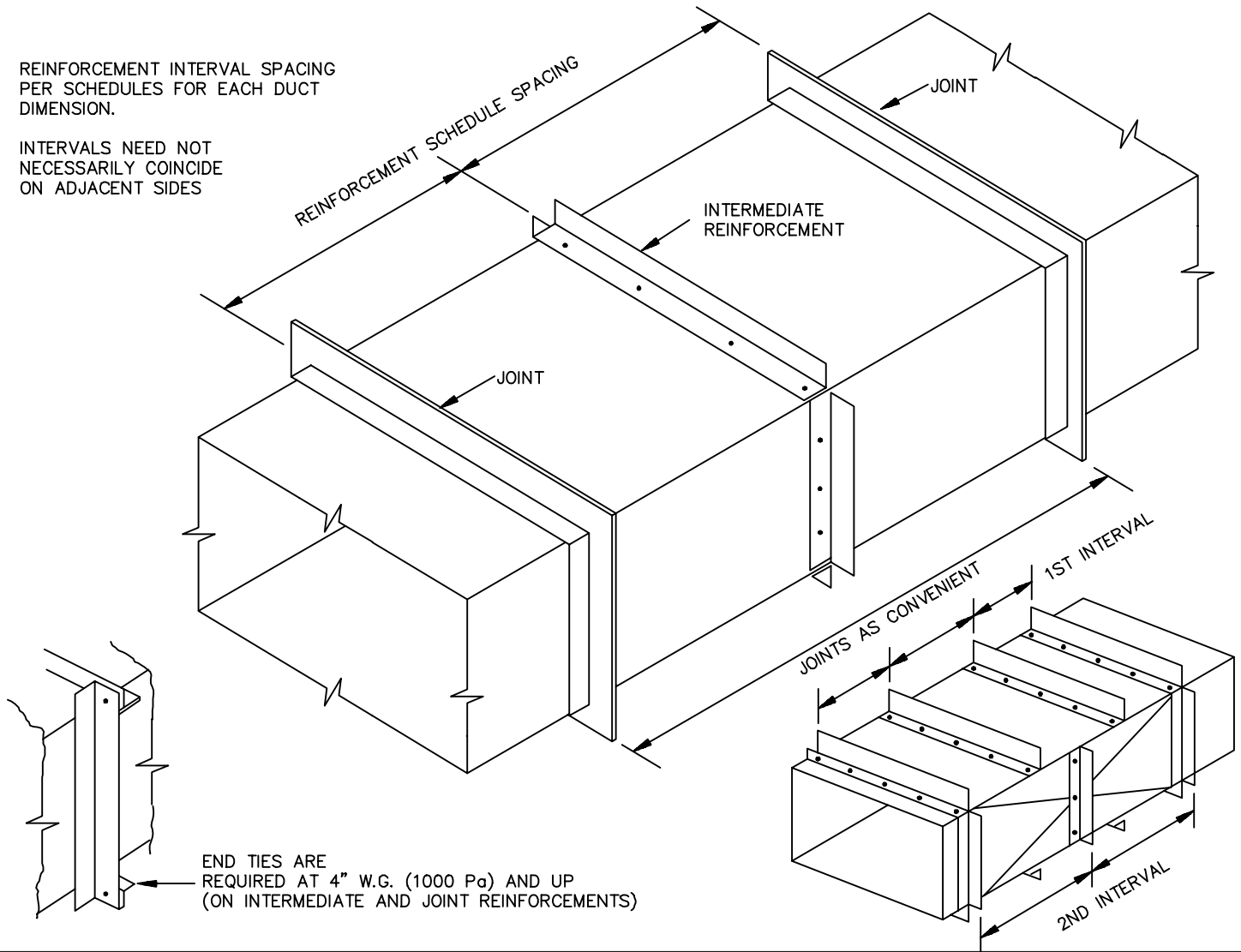




FIGURE 1-10 DUCT REINFORCED ON ALL SIDES



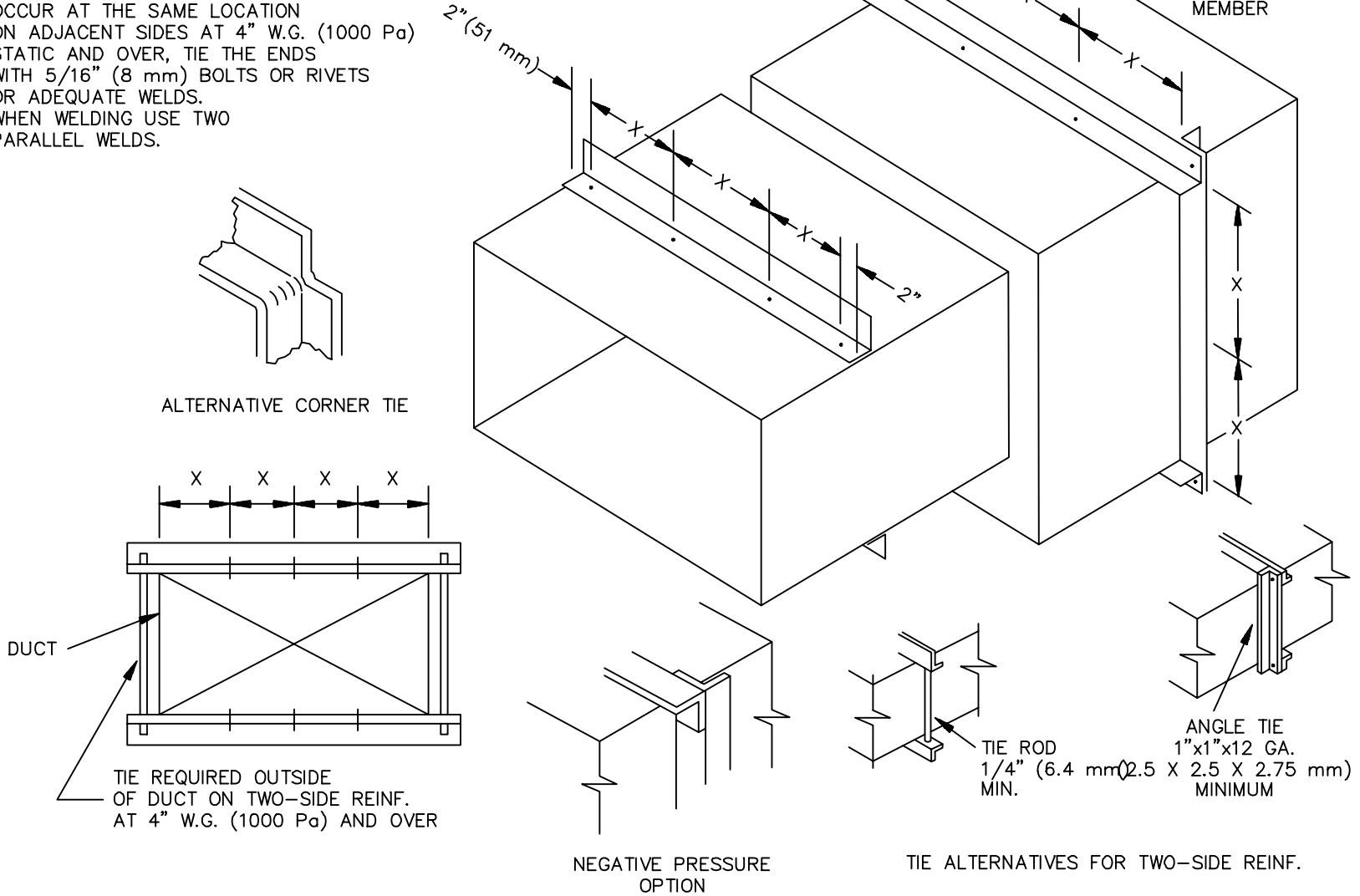


**FIGURE 1-11 REINFORCEMENT ATTACHMENT**

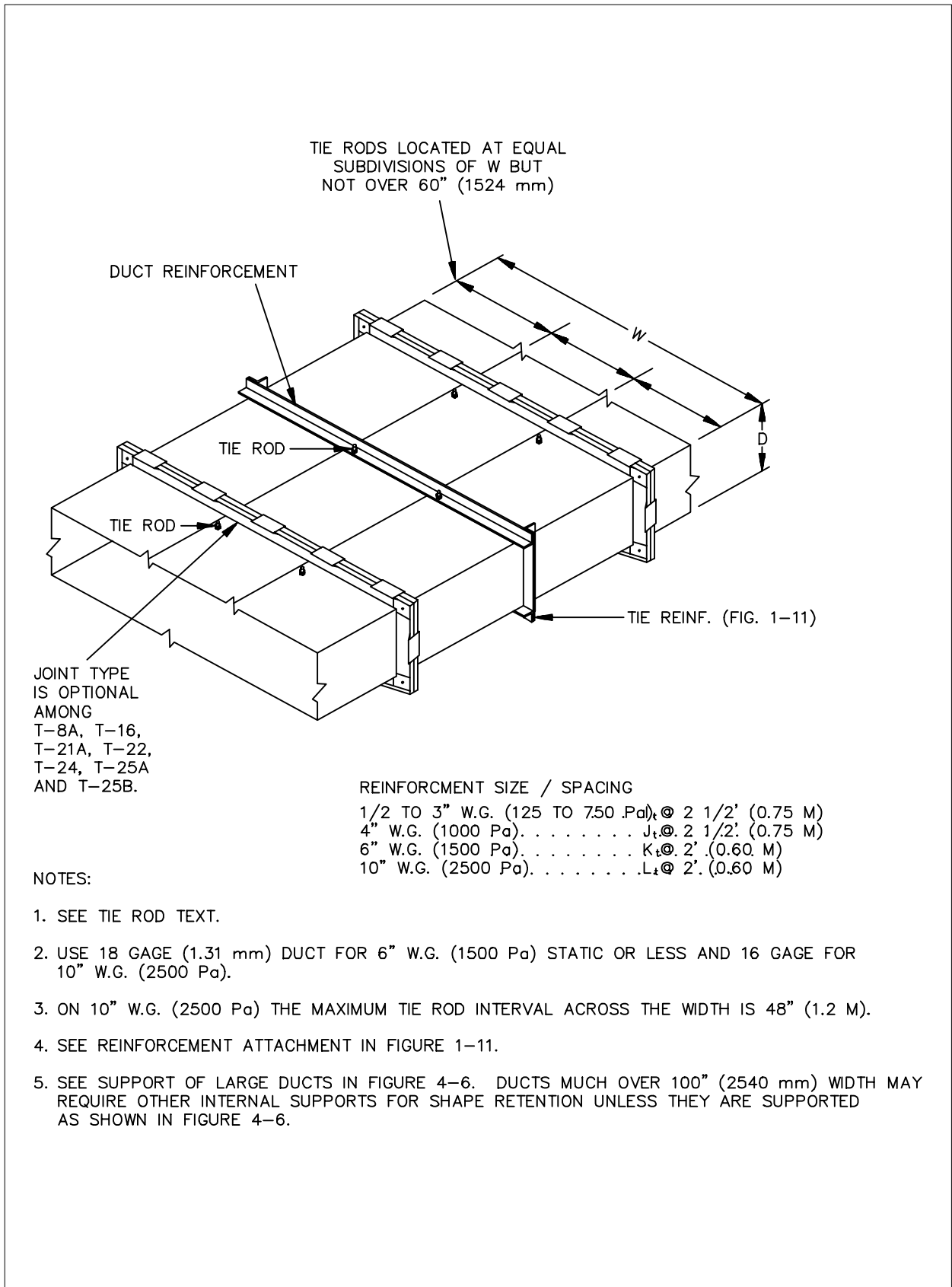
X = 12" (305 mm) MAXIMUM FASTENER (TACK WELD, \*SPOTWELD, BOLT, SCREW OR RIVET) SPACING.  
 WHEN END TIES ARE USED THE 2" (51 mm) INTERVAL MAY BE OMITTED.

WHEN REINFORCEMENTS OCCUR AT THE SAME LOCATION ON ADJACENT SIDES AT 4" W.G. (1000 Pa) STATIC AND OVER, TIE THE ENDS WITH 5/16" (8 mm) BOLTS OR RIVETS OR ADEQUATE WELDS. WHEN WELDING USE TWO PARALLEL WELDS.

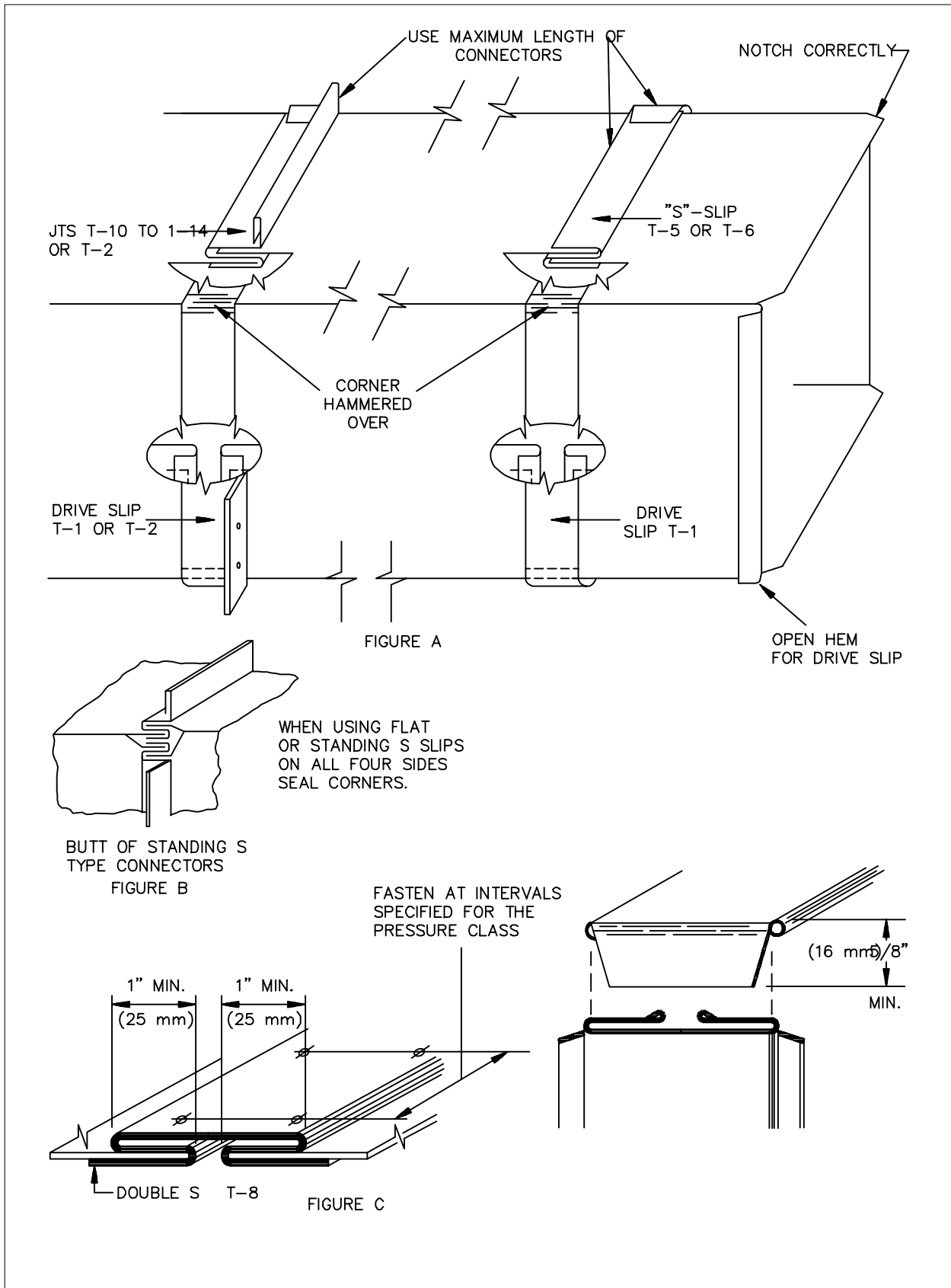
\* TACK WELD ALONG ALTERNATE SIDES OF THE MEMBER



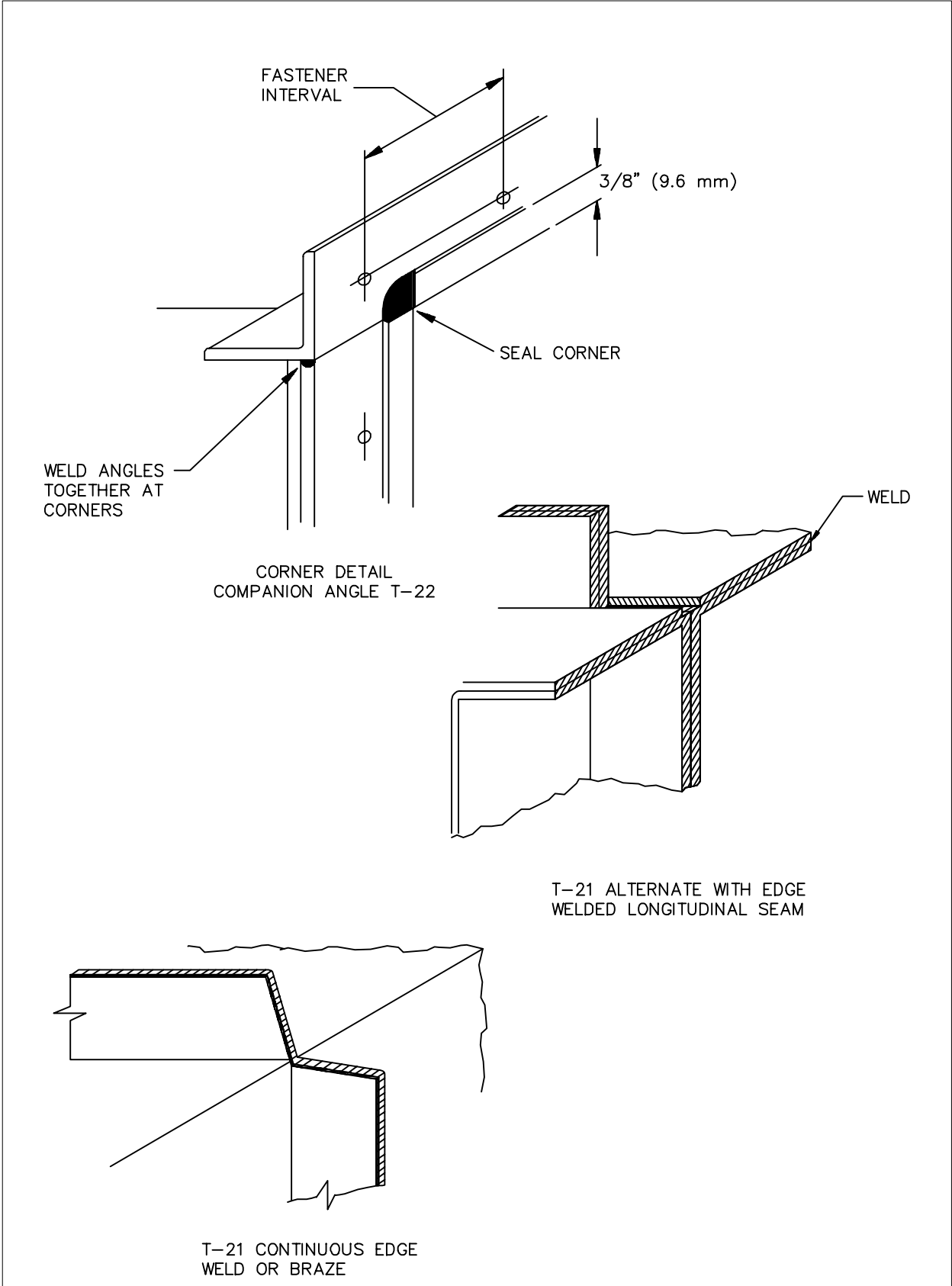




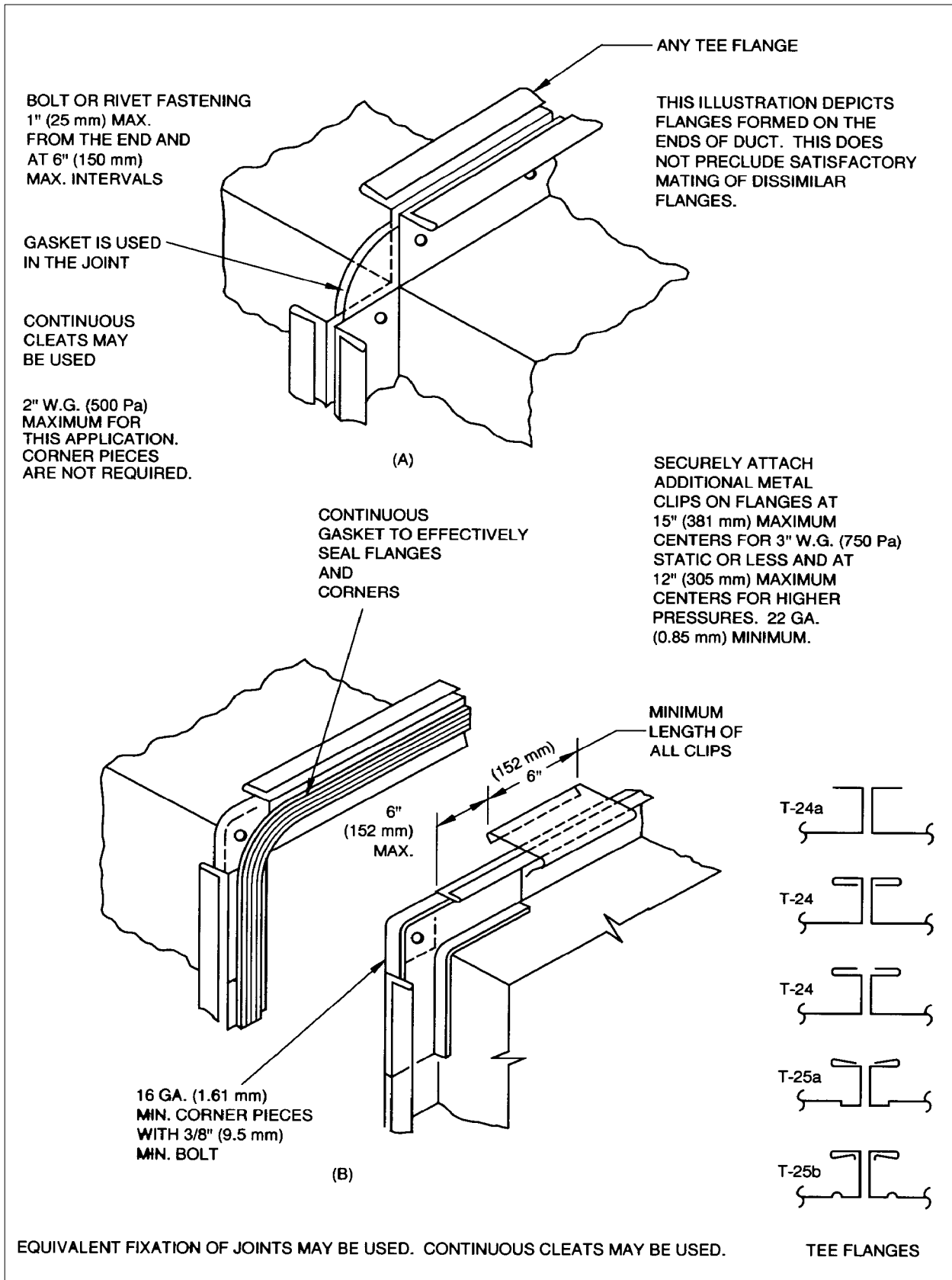
**FIGURE 1-12 DUCT OVER 120" (3048 MM) WIDE**



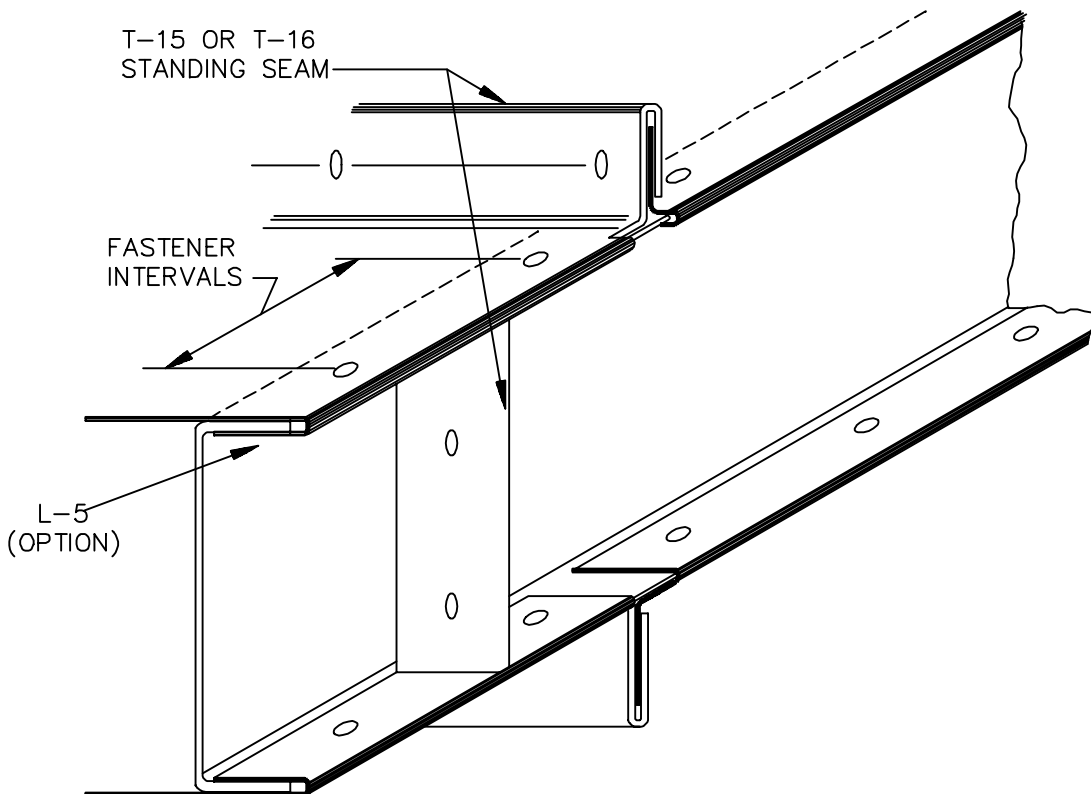
**FIGURE 1-13 CORNER CLOSURES — SLIPS AND DRIVES**



**FIGURE 1-14 CORNER CLOSURES — FLANGES**



**FIGURE 1-15 CORNER CLOSURES — FLANGES**



**FIGURE 1-16 CORNER CLOSURES — STANDING SEAMS**

**CHAPTER 2**

**FITTINGS AND OTHER  
CONSTRUCTION**

## 2.1 REQUIREMENTS

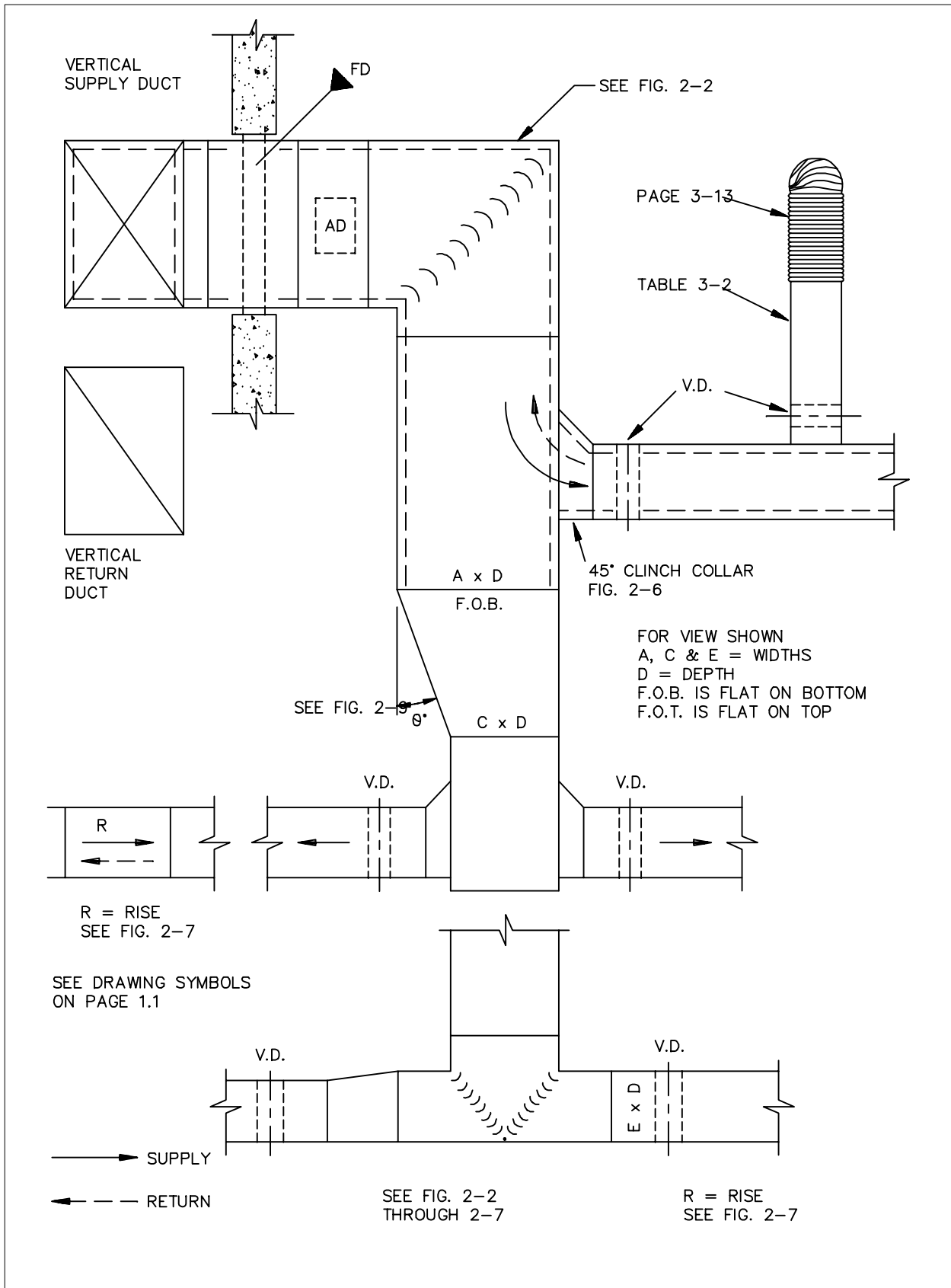
The illustrations of fittings, equipment connections, and duct liners in this section presuppose that the designer is familiar with performance data published by organizations such as ASHRAE, AMCA, SMACNA, NAIMA, ACGIH, and coil, damper, air terminal, and fan manufacturers. They assume that system designers understand friction and dynamic losses in HVAC systems and have accounted for these in the design of systems for particular projects.

The purpose of this section is to provide geometries, configurations, and construction detail alternatives that relate to and enhance the performance of fittings that the designer may incorporate in his systems. More construction detail is provided than is given in design handbooks. The many alternatives included in this document would not have the same pressure loss factors. Also, equipment manufacturer installation requirements may differ from the illustrations herein. To the extent that the designer is inconsistent with the

presumption state in S1.3 on page 1.8, installers may assume that construction alternatives herein are left for their choice.

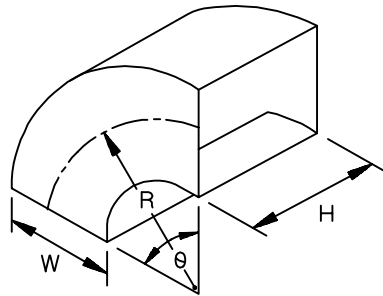
Within this section as in other section specifications considered to be obligatory are designated by “S” paragraph numbers. When not preempted Section S1 will control the construction of fittings to a significant extent S1.16 on page 1.17 addresses reinforcement of fittings that appear in this section. Similar specifications are in Section 3 and 4.

S paragraphs for Section 2 begin on page 2.15 and continue on page 2.24. Compliance with Figures in Section 2 that are not specifically referenced in the S specification text is presumed when not preempted by specifications external to this document. However, the inclusion of performance requirements in this section, as in other sections, is intended to acknowledge the provisions of Section S1.2 on page 1.8 when alternatives to the prescriptive requirements are proposed



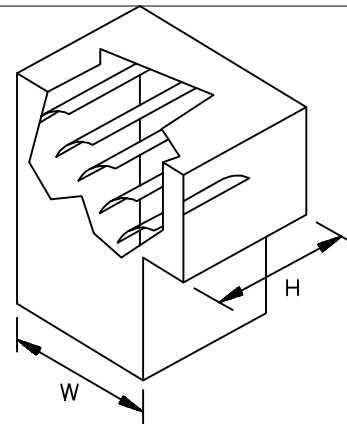
**FIGURE 2-1 TYPICAL SUPPLY OR RETURN DUCT**



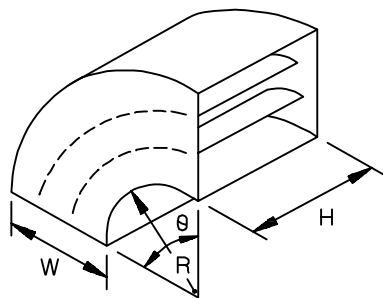


TYPE RE 1  
RADIUS ELBOW

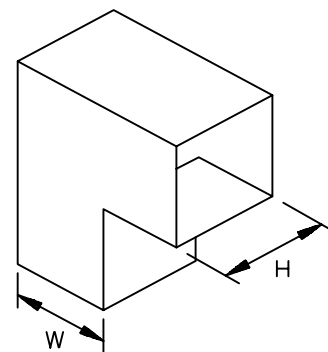
CENTERLINE  $R = \frac{3W}{2}$  UNLESS OTHERWISE SPECIFIED  $\theta$  IS NOT RESTRICTED TO 90°. SQUARE THROAT,  $\frac{R}{W} = 0.5$ , MAY BE USED, UP TO 1000 FPM (5 mps).



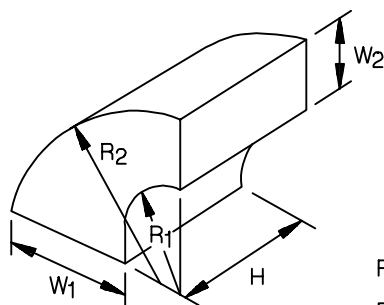
TYPE RE 2  
SQUARE THROAT ELBOW  
WITH VANES



TYPE RE 3  
RADIUS ELBOW  
WITH VANES



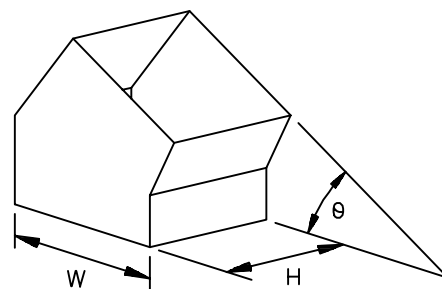
TYPE RE 4  
SQUARE THROAT ELBOW  
WITHOUT VANES  
(1000 FPM (5 mps) MAXIMUM VELOCITY)



TYPE RE 5  
DUAL RADIUS ELBOW

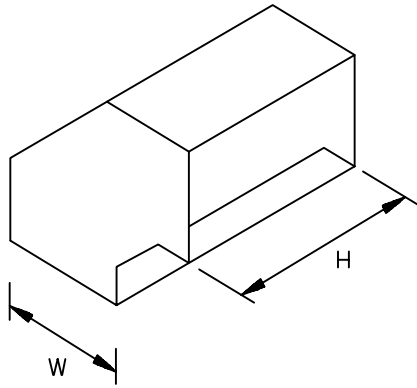
$$R_1 = \frac{3}{4} W_1$$

$$R_2 = R_1 + W_2$$

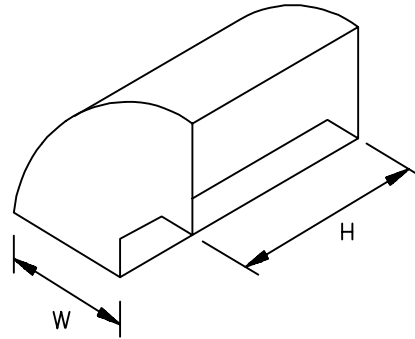


TYPE RE 6  
MITERED ELBOW

FIGURE 2-2 RECTANGULAR ELBOWS

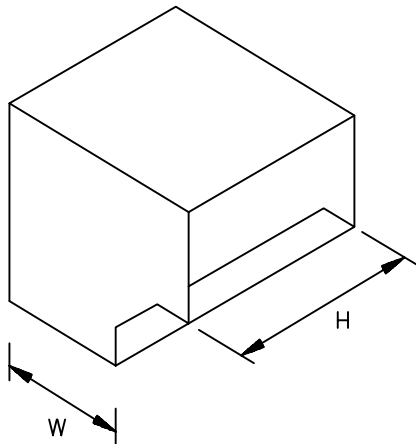


TYPE RE 7  
45 THROAT  
45 HEEL

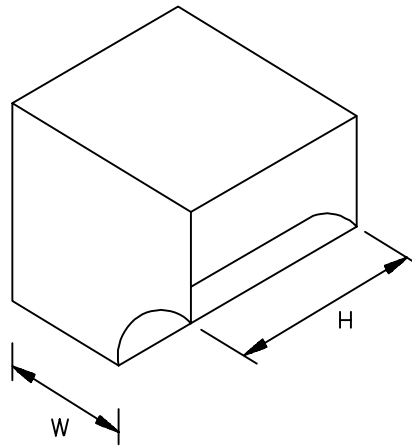


TYPE RE 8  
45 THROAT  
RADIUS HEEL

ALL 45 THROATS ARE 4° (100 mm) MINIMUM



TYPE RE 9  
45 THROAT  
90 HEEL

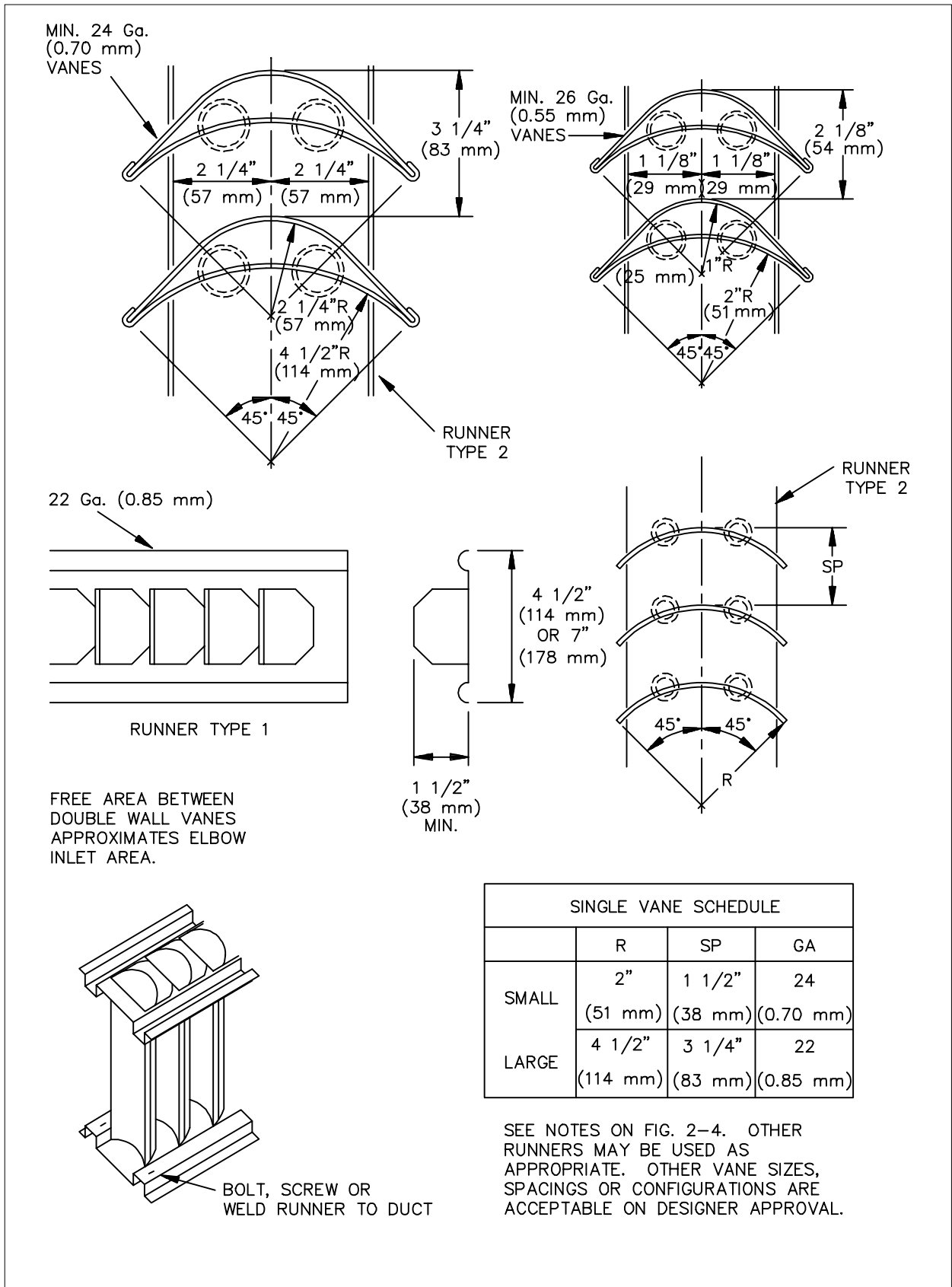


TYPE RE 10  
RADIUS THROAT  
90 HEEL

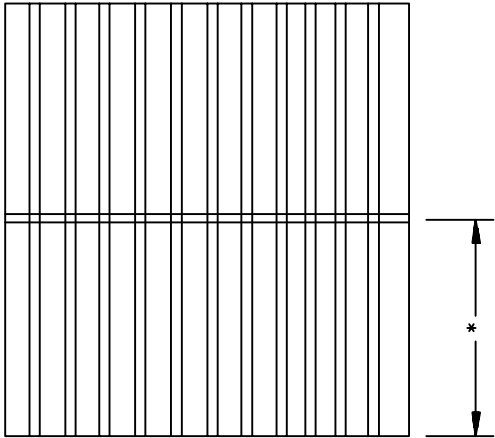
BEAD, CROSSBREAK AND REINFORCE FLAT SURFACES AS IN STRAIGHT DUCT

PAGE 2 OF 2

**FIGURE 2-2 RECTANGULAR ELBOWS – (Continued)**



**FIGURE 2-3 VANES & VANE RUNNERS**



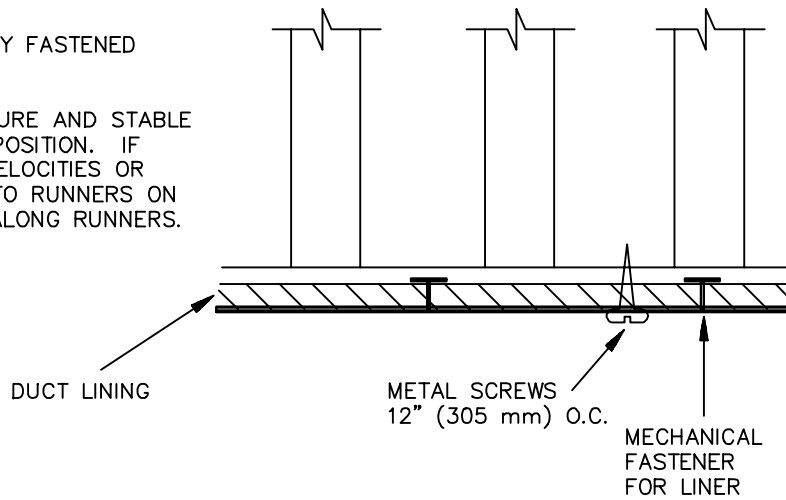
\* MAXIMUM UNSUPPORTED VANE LENGTH

SMALL SINGLE VANE	36" (914 mm)
LARGE SINGLE VANE	36" (914 mm)
SMALL DOUBLE VANE	48" (1219 mm)
LARGE DOUBLE VANE	72" (1829 mm)

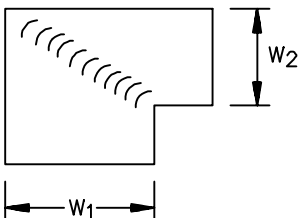
INSTALL VANES IN SECTIONS OR USE TIE RODS TO LIMIT THE UNBRACED VANE LENGTH.

VANES SHALL BE SECURELY FASTENED TO RUNNERS.

ALL VANES SHALL BE SECURE AND STABLE IN INSTALLED OPERATING POSITION. IF NECESSARY AT CERTAIN VELOCITIES OR PRESSURES WELD VANES TO RUNNERS ON APPROPRIATE INTERVALS ALONG RUNNERS.



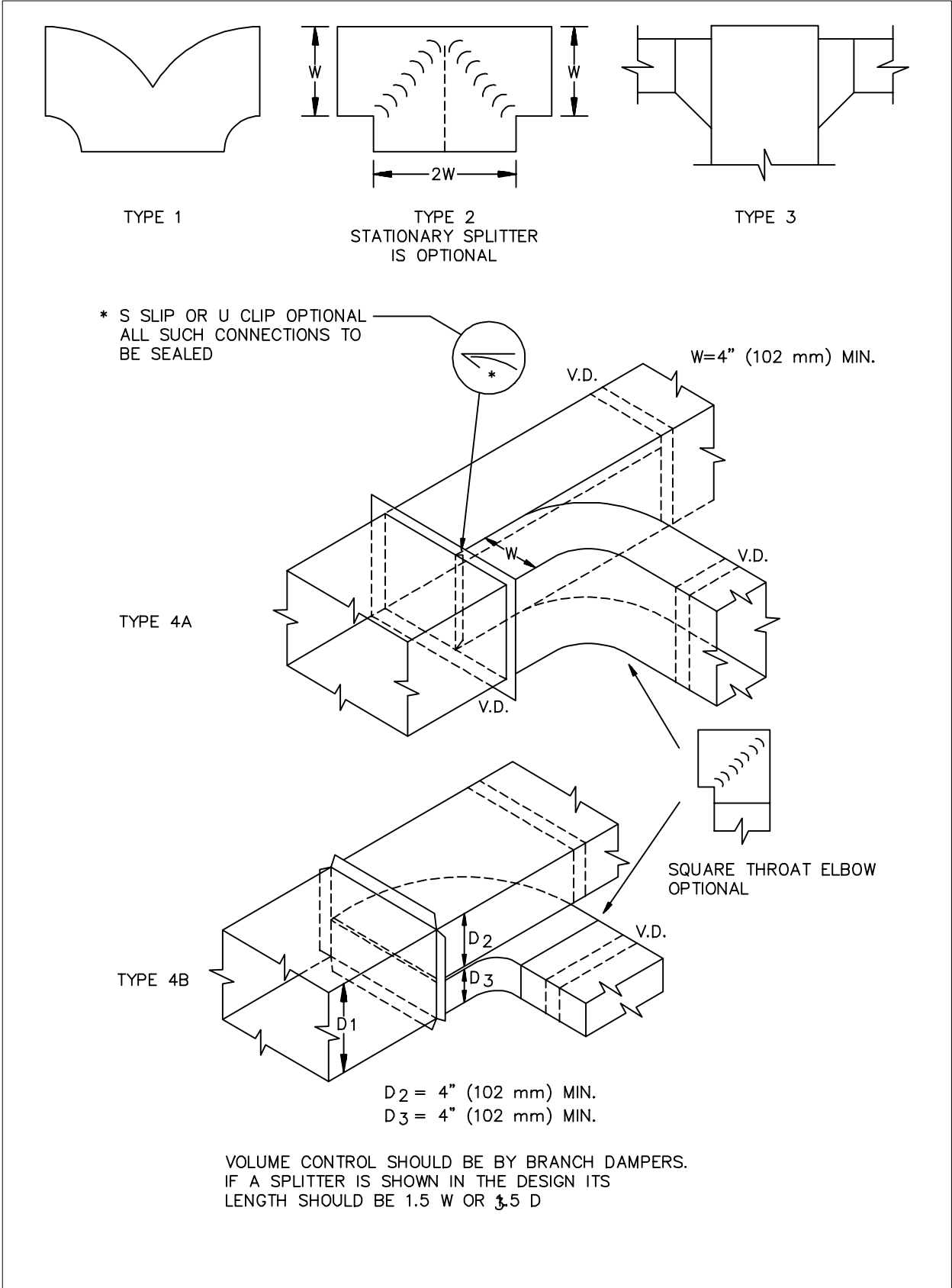
TO PREVENT LINER DAMAGE CARE MUST BE EXERCISED WHEN INSTALLING VANES IN LINED OR FIBROUS GLASS DUCT, SEE FIG. 2-24.



IF  $W_2$  DOES NOT EQUAL  $W_1$  SPECIAL PROVISIONS MUST BE MADE IN VANE SHAPE OR ANGLE OF ENTRY AND EXIT. APPLIES TO ALL TYPES OF VANES. CONSTRUCT VANE EDGES TO PROJECT TANGENTS PARALLEL TO DUCT SIDES. VANES AS USED WHEN  $W_1 \neq W_2$  ARE NOT ACCEPTABLE ON SIZE CHANGE ELBOWS WITHOUT MODIFICATION.

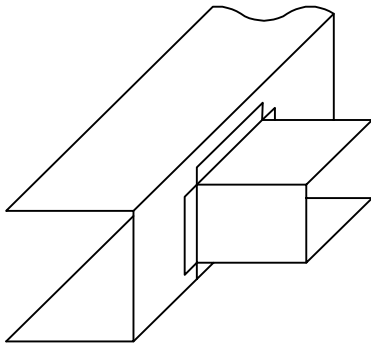
SEE FIG. 2-3 FOR VANE DETAILS

**FIGURE 2-4 VANE SUPPORT IN ELBOWS**

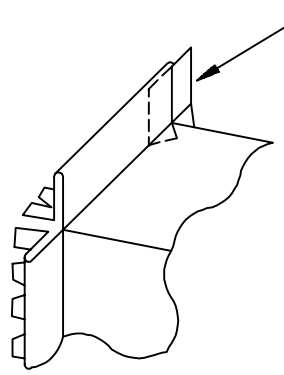


**FIGURE 2-5 DIVIDED FLOW BRANCHES**

SEE VOLUME DAMPERS IN FIG. 2-1 AND FIG 2-15

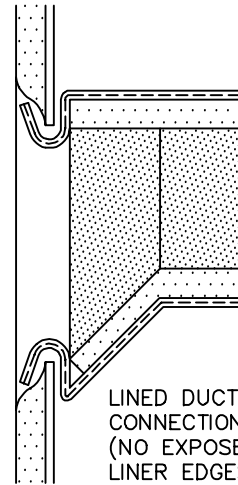


STRAIGHT TAP BUTT FLANGE OR CLINCH LOCK

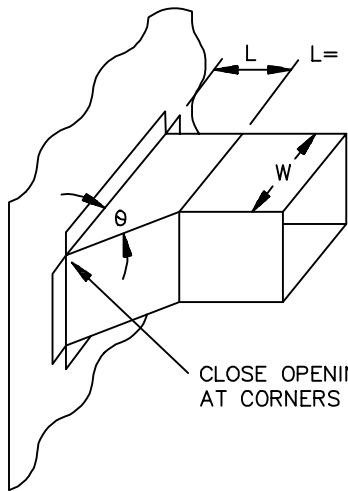


CLINCH LOCK

CORNER FILLER PIECE OR USE GASKET



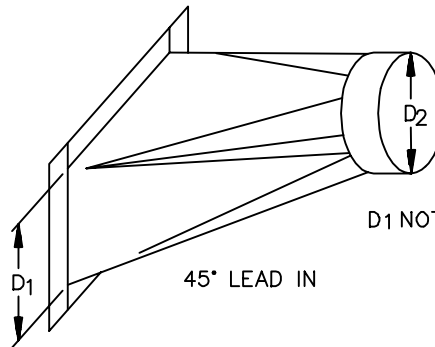
LINED DUCT CONNECTION (NO EXPOSED LINER EDGES)



$L = 1/4W, 4" (102 \text{ mm}) \text{ MIN.}$

CLOSE OPENING AT CORNERS

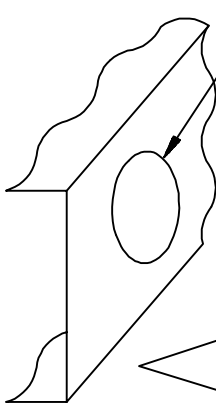
45 DEGREE ENTRY  $\theta 45^\circ$



$D1 \text{ NOT LESS THAN } 2D2$

45° LEAD IN

DO NOT USE CONNECTIONS WITH SCOOPS.

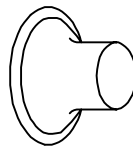


DOVETAIL JOINT

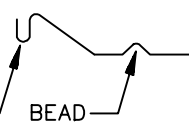
OPENING CUT ACCURATELY (SHAPE & SIZE)

FLANGED OR SPIN-IN

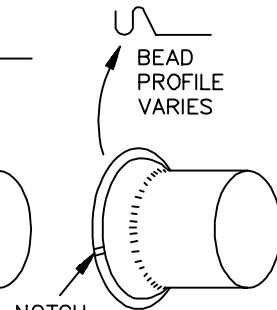
CONICAL



BELLMOUTH



FLANGED



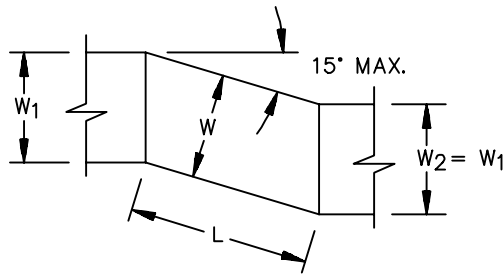
SPIN IN

BEAD PROFILE VARIES

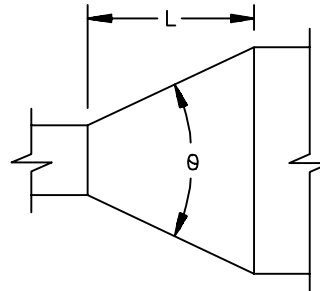
SEE FIG. 3-8  
FIT ALL CONNECTIONS TO AVOID VISIBLE OPENINGS AND SECURE THEM SUITABLY FOR THE PRESSURE CLASS. ADDITIONAL MECHANICAL FASTENERS ARE REQUIRED FOR 4" W.G. (100 Pa) AND OVER.

FIGURE 2-6 BRANCH CONNECTIONS

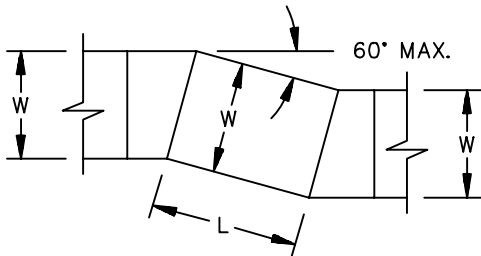
OFFSETS 2 AND 3 AND TRANSITIONS MAY HAVE EQUAL OR UNEQUAL INLET AND OUTLET AREAS. TRANSITIONS MAY CONVERT DUCT PROFILES TO ANY COMBINATION FOR RECTANGULAR, ROUND OR FLAT OVAL SHAPES.



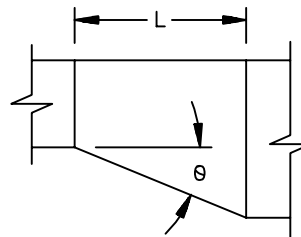
OFFSET TYPE 1  
(ANGLED)



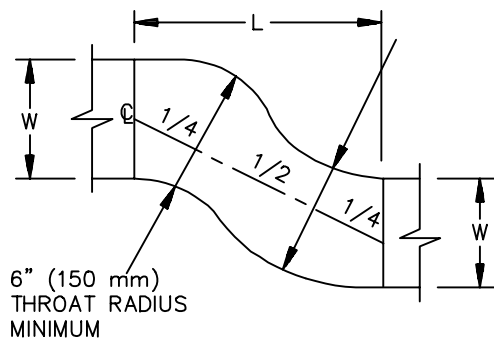
CONCENTRIC TRANSITION  
 $\theta$  MAX. 45° DIVERGING, 60° CONVERGING



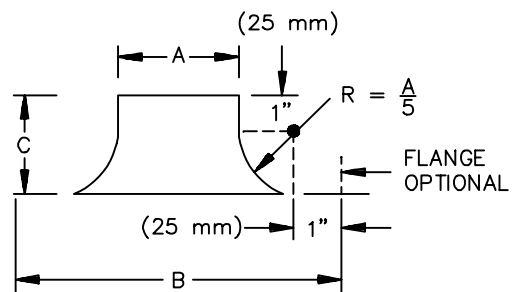
OFFSET TYPE 2  
(MITERED)



ECCENTRIC TRANSITION  
 $\theta$  MAX. 30°  
(EXCEPT 45° IS PERMITTED  
AT ROUND TO FLAT OVAL)



OFFSET TYPE 3  
(RADIUSSED  
OR OGEE)



STANDARD BELLMOUTH  
(ON SHORT PATTERN BELL  
C = 3" (76 mm)  
B = A + 4" (102 mm))

FIGURE 2-7 OFFSETS AND TRANSITIONS

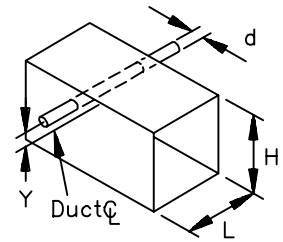
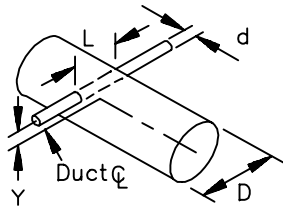


FIG. A

FIG. A IS APPLICABLE FOR UP TO 20% AREA OBSTRUCTION WITH ROUND SHAPED MEMBER AND 10% WITH FLAT PROFILE. Y IS THE DISTANCE FROM DUCT CENTER.

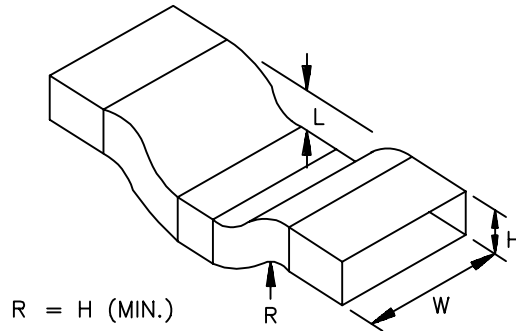


FIG. B

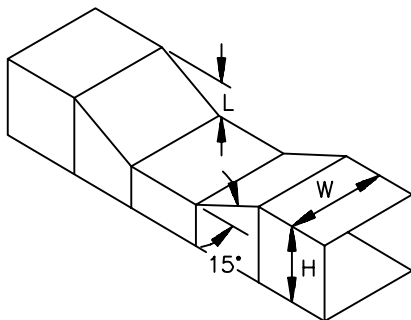


FIG. C  
20% MAXIMUM AREA REDUCTION

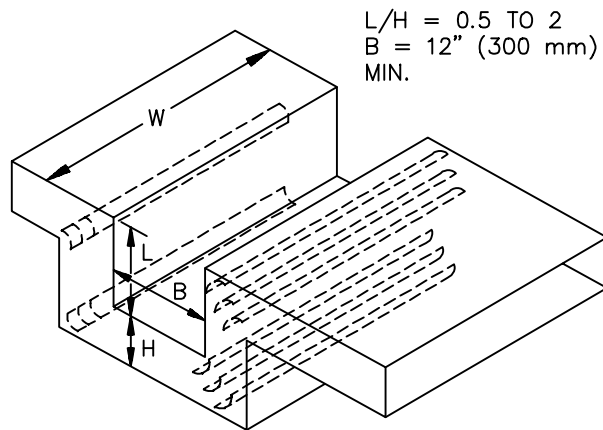
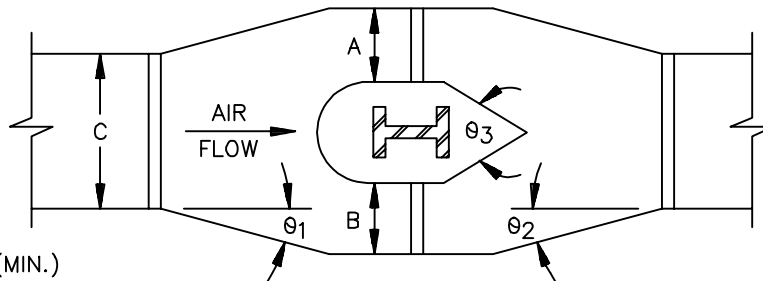


FIG. D

VANES MUST DIRECT FLOW PARALLEL TO DUCT WALL  
CAUTION: HIGH LOSS COEFFICIENTS



$A+B = 1.25C$  (MIN.)  
AT CONSTANT DEPTH.

FIG. E

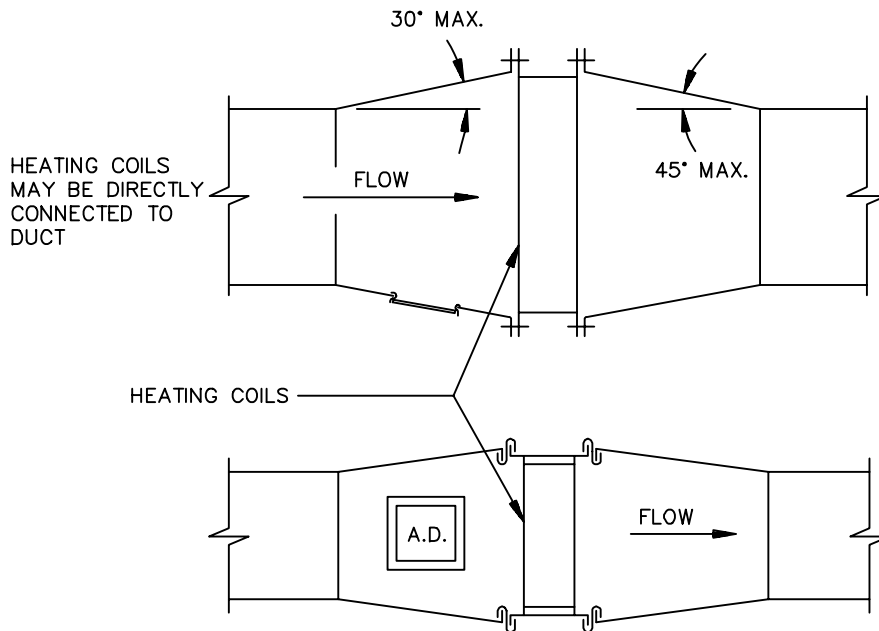
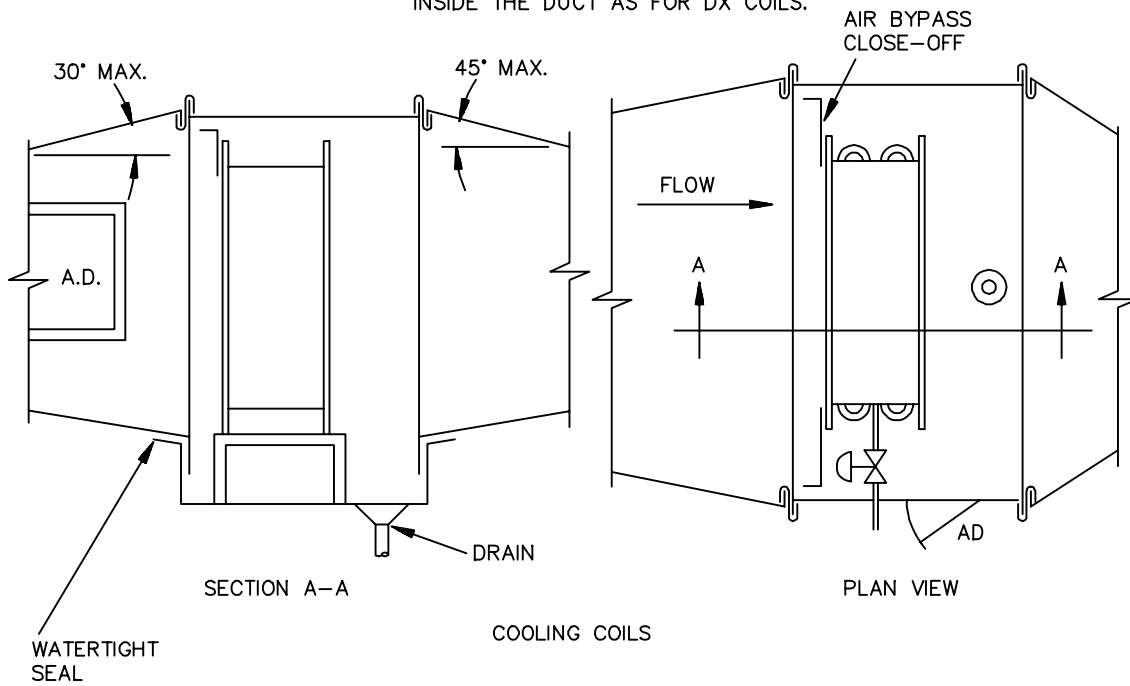
$\theta_1 = 20^\circ$  MAX.  
 $\theta_2 = 30^\circ$  MAX.  
 $\theta_3 = 60^\circ$  MAX.

(USED WHEN OBSTRUCTION EXCEEDS 20% OF SECTION AREA AND OFFSETS AROUND ARE NOT POSSIBLE).

## FIGURE 2-8 OBSTRUCTIONS

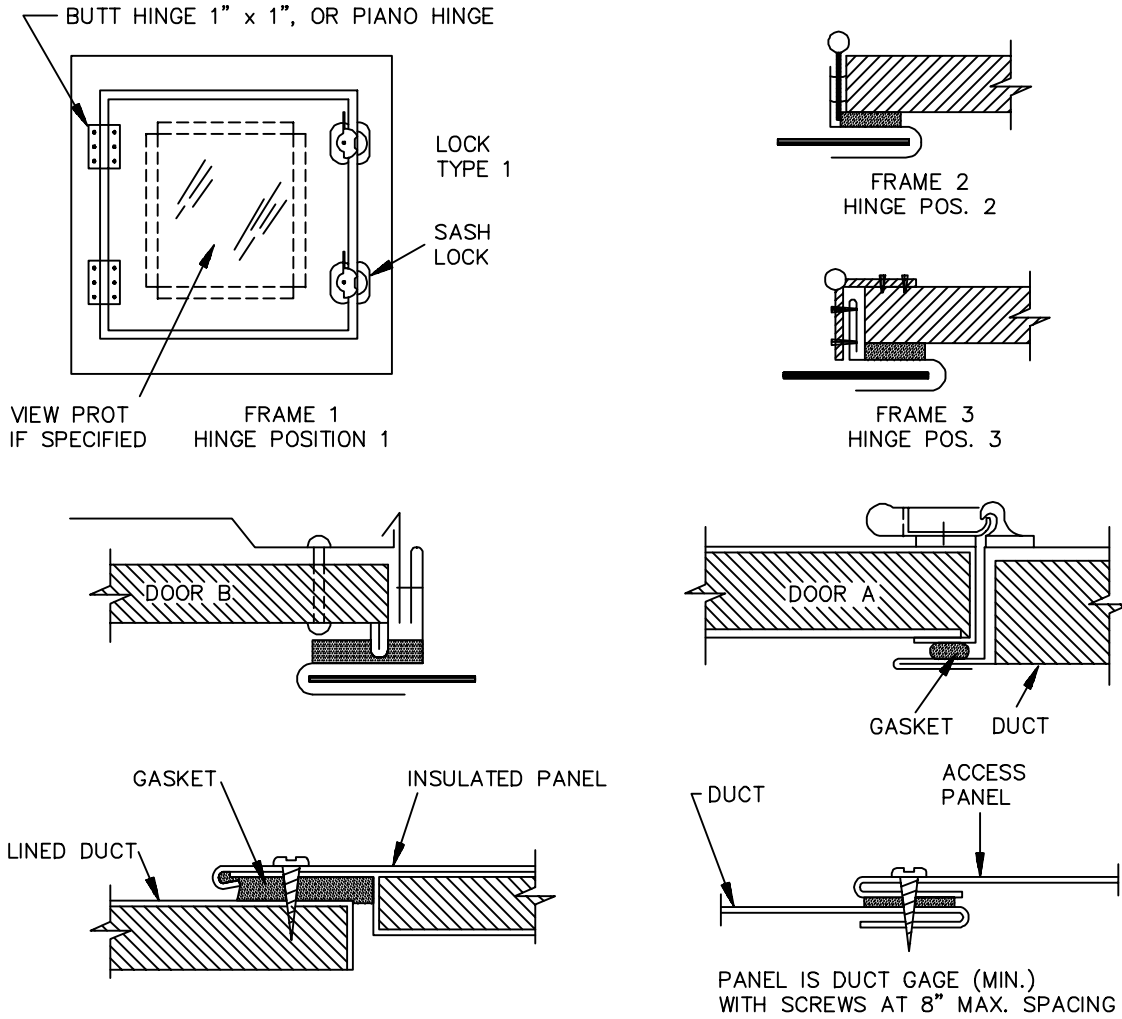


PREFERABLY, DIRECT EXPANSION COILS SHOULD HAVE THE CONTROL VALVE INSIDE THE DUCT, AS SHOWN. WITH WATER COILS, VALVE LOCATION IS OPTIONAL BUT RETURN BENDS AND HEADERS SHOULD BE INSIDE THE DUCT AS FOR DX COILS.



DESIGNERS SHOULD SPECIFY ACCEPTABLE COIL FRAME LEAKAGE OR PLACE THE COIL IN THE DUCT.

**FIGURE 2-9 REMOTE HEATING AND COOLING COIL INSTALLATIONS**

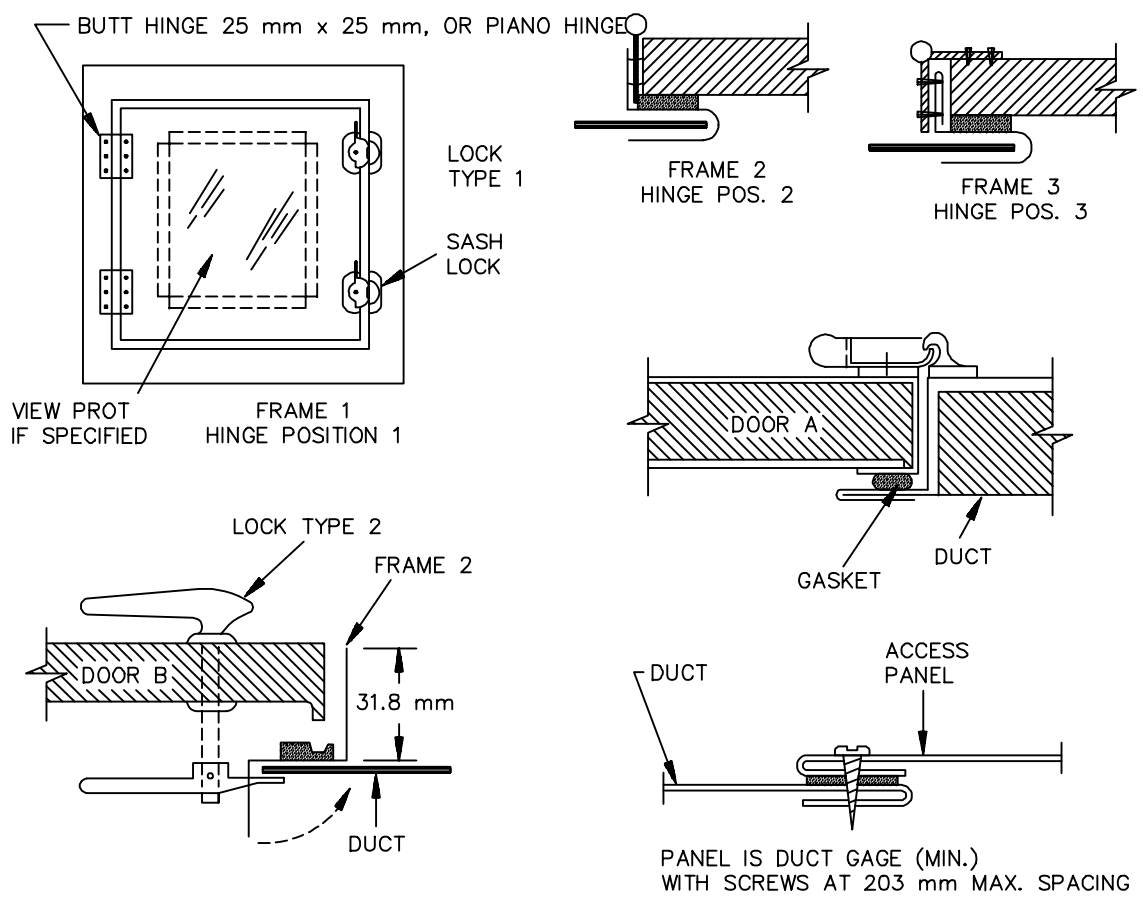


	Door Size	No. Hinges	No. Locks	Metal Gage		
				Frame	Door	Back
2" w.g. Static and Less	12" x 12"	2	1-S	24	26	26
	16" x 20"	2	2-S	22	24	26
	24" x 24"	3	2-S	22	22	26
3" w.g. Static	12" x 12"	2	1-S	22	22	26
	16" x 20"	2	1-S,1-T,1-B	20	20	26
	24" x 24"	3	2-S,1-T,1-B	20	20	24
4" w.g. to 10" w.g.	12" x 12"	2	1-S,1-T,1-B	20	20	26
	16" x 20"	3	2-S,1-T,1-B	20	18	24
	24" x 24"	3	2-S,2-T,2-B	18	18	24

S = Side opposite hinges, T = Top, B = Bottom

CONSTRUCTION AND AIRTIGHTNESS MUST BE SUITABLE FOR THE DUCT PRESSURE CLASS USED. THESE ILLUSTRATIONS DO NOT PRECLUDE THE USE OF OTHER METHODS AND HARDWARE.

**FIGURE 2-10 DUCT ACCESS DOORS AND PANELS**



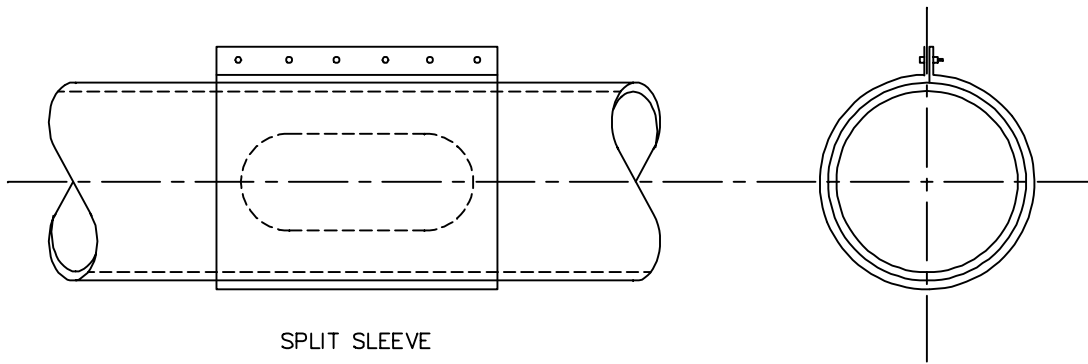
	Door Size (mm)	No. Hinges	No. Locks	Metal Gage (mm)		
				Frame	Door	Back
500 Pa Static and Less	305 x 305	2	1-S	0.70	0.55	0.55
	406 x 508	2	2-S	0.85	0.70	0.55
	610 x 610	3	2-S	0.85	0.85	0.55
750 Pa Static	305 x 305	2	1-S	0.85	0.85	0.55
	406 x 508	2	1-S,1-T,1-B	1.00	1.00	0.55
	610 x 610	3	2-S,1-T,1-B	1.00	1.00	0.70
1000 Pa to 2500 Pa	305 x 305	2	1-S,1-T,1-B	1.00	1.00	0.55
	406 x 508	3	2-S,1-T,1-B	1.00	1.31	0.70
	610 x 610	3	2-S,2-T,2-B	1.31	1.31	0.70

S = Side opposite hinges, T = Top, B = Bottom

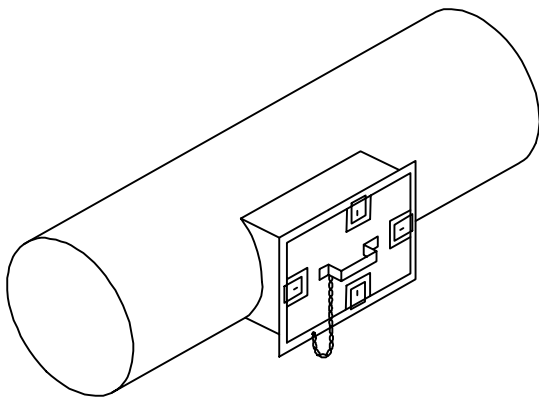
CONSTRUCTION AND AIRTIGHTNESS MUST BE SUITABLE FOR THE DUCT PRESSURE CLASS USED.

**FIGURE 2-10M DUCT ACCESS DOORS AND PANELS**

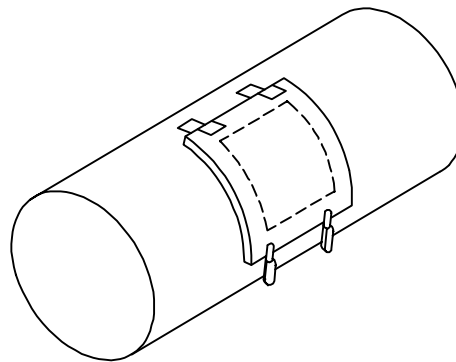




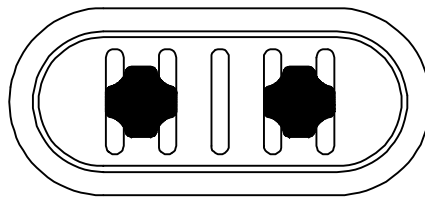
SPLIT SLEEVE



COMBINATION ACCESS AND PRESSURE RELIEF (MANUALLY OPERABLE AND PRESSURE SENSITIVE RELEASE LATCHES)



ROLLED HINGED PLATE WITH COMMERCIAL CATCHES.



CLAMPING TYPE ACCESS DOOR

A CONTOURED PANEL WITH SCREW FASTENING AND GASKET IS ALSO ACCEPTABLE

CONSTRUCTION AND AIRTIGHTNESS SHALL BE SUITABLE FOR THE DUCT PRESSURE CLASS USED.

**FIGURE 2-11 ACCESS DOORS — ROUND DUCT**

## 2.2 VOLUME DAMPERS

### 2.3 NOTES FOR FIGURES 2-12 AND 2-13

1. Unless otherwise permitted, dampers shall be provided with the general configuration, materials, and application limits indicated in Figures 2-14 and 2-15 and in related notes.
2. Damper hardware must be durable and installed properly.
3. Dampers must be stable under operating conditions. Round and rectangular damper blades must be stiffened by forming or other method if required for the duty.
4. All single blade dampers must have a locking device to hold the dampers in a fixed position without vibration.
5. Damper component penetration of ducts must be closed, in keeping with the sealing classification applicable for the pressure class. End bearings or other seals are required on 3" wg (750 Pa) static pressure class.
6. The installation of a damper in a lined duct must not damage the liner or cause liner erosion.

### 2.4 COMMENTARY

Designers must show all required air volume control devices on the contract drawings. Nothing in this document implies an obligation to provide volume control devices that are not on the contract drawings.

The ASHRAE *Systems Handbook* chapter on testing, adjusting, and balancing defines ducts as follows: a main duct serves the system's major or entire fluid flow; a submain serves two or more branch mains; a branch main serves two or more terminals; a branch serves a single terminal. Illustrating dampers on contract drawings relieves contractors from interpreting damper requirements.

The damper designs illustrated in Figures 2-14 and 2-15 are for reduced volume control, not for positive shut off.

Modified versions can be constructed for tight shut off.

OBD (opposed blade damper) devices installed with grilles and diffusers should not be relied on to take more than 1/4 to 1/2 closure without noise.

Single-blade or opposed-blade dampers are preferred over splitters.

Orifice plates or perforated metal with required pressure-drop characteristics may be used in lieu of dampers to set up permanent loss in duct runs.

Multiblade damper styles are normally parallel blade for two position operation; opposed blade for modulating position.

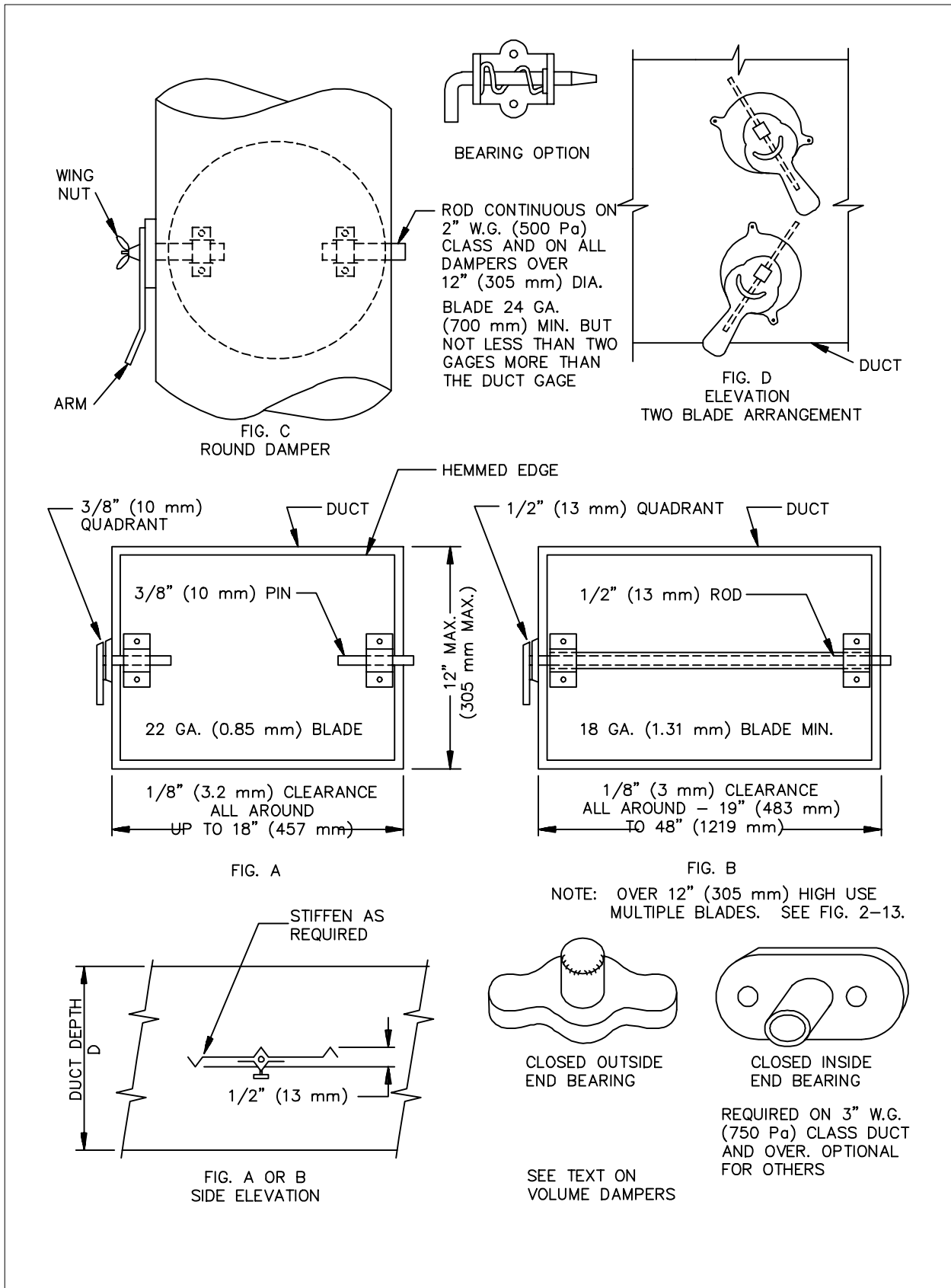
Dampers with blade lengths over 48" (1219 mm) are normally sectioned horizontally.

Motor operators for dampers should develop sufficient torque to operate properly. The motor supplier should select operators carefully. In certain cases, a fire damper may be used for flow rate control. If it serves a dual function, its operation as a fire damper must not be impaired. The installation must not develop noise or vibration.

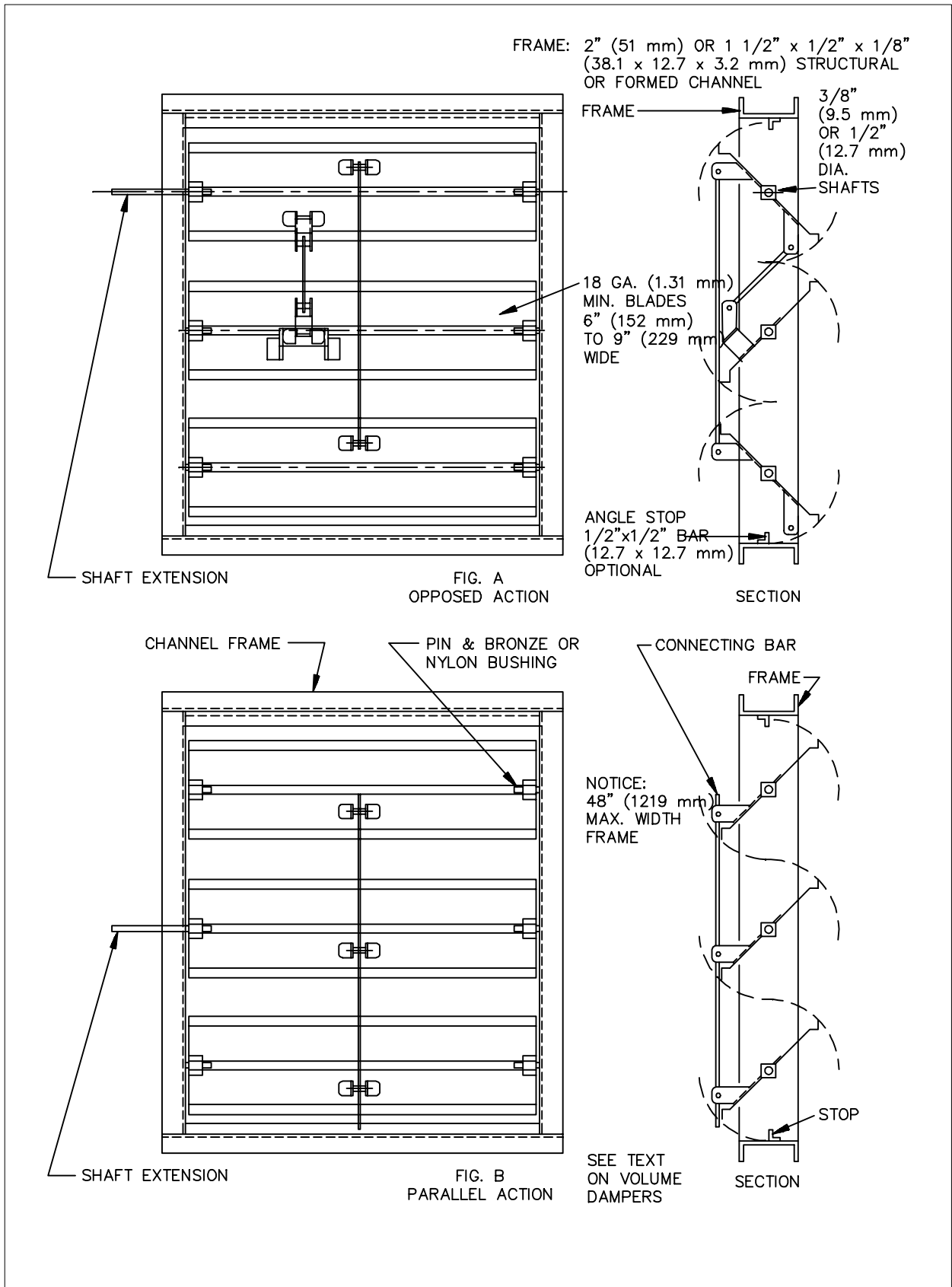
Volume control devices that are capable of throttling flow over wide pressure differentials without generating noise are normally special procurement items. Low-pressure drop dampers should not be used for wide-pressure differentials.

Consult duct design texts and manufacturer's data for loss coefficients.

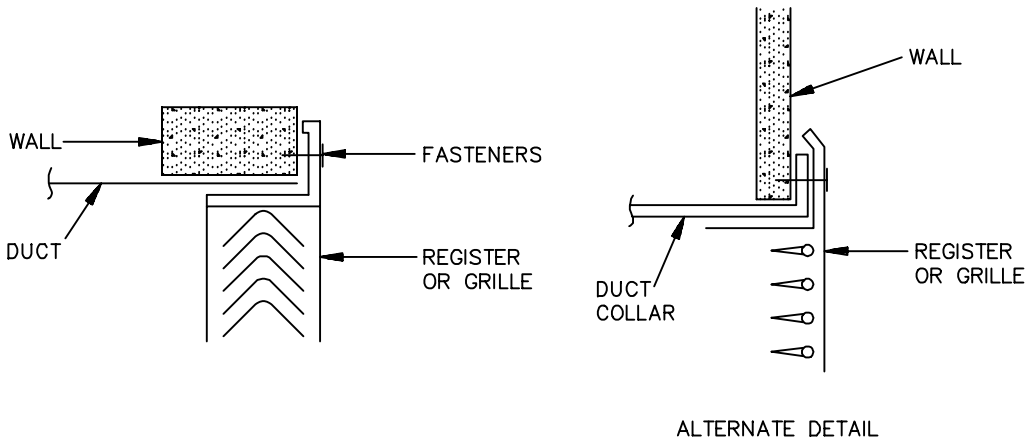
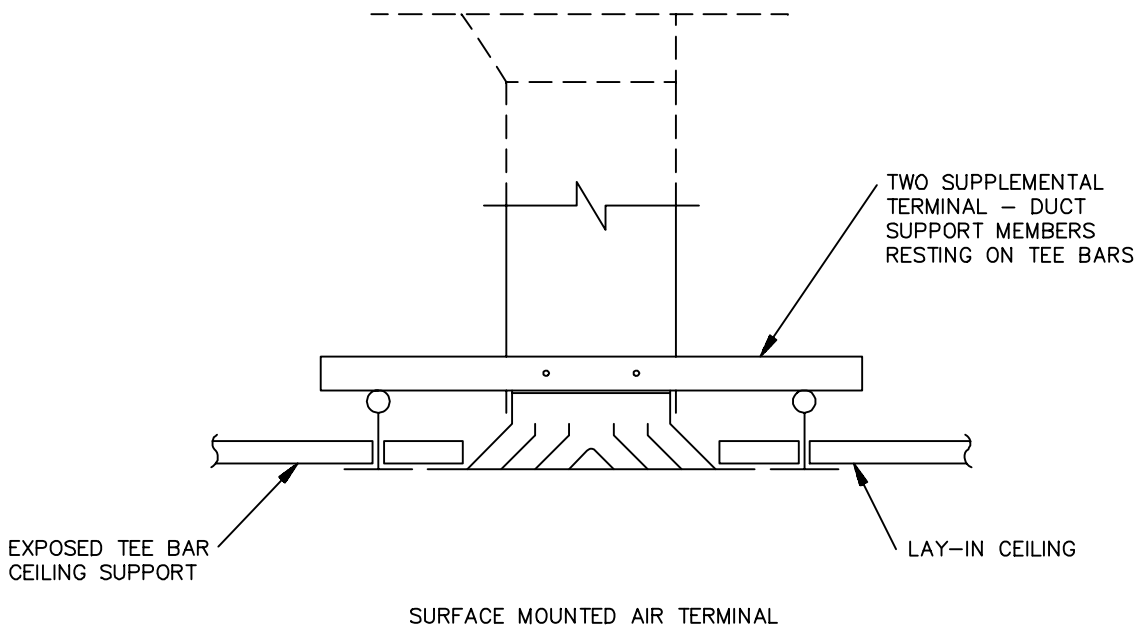
The designer must carefully evaluate pressure change in ducts and provide pressure relief measures where necessary. System status changes, as in smoke control mode or energy conservation use, impose different requirements for normally open, normally closed, and modulating dampers.



**FIGURE 2-12 VOLUME DAMPERS — SINGLE BLADE TYPE**



**FIGURE 2-13 MULTIBLADE VOLUME DAMPERS**



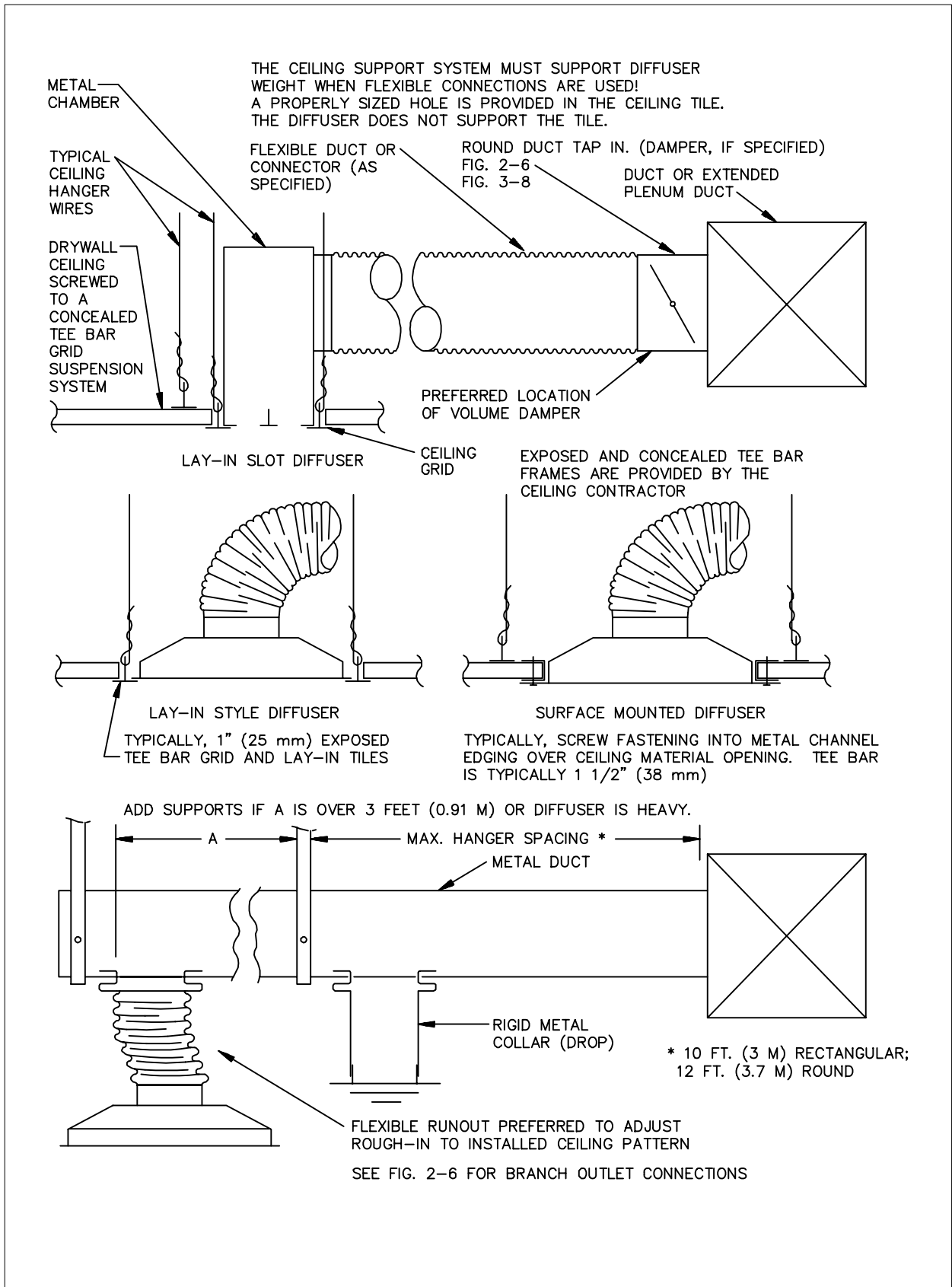
NOTE:  
 REGISTER CONTAINS VOLUME  
 CONTROL AT GRILLE. GRILLE  
 HAS NO VOLUME CONTROL.

GRILLE FLANGES MUST  
 COVER DUCT FLANGES.

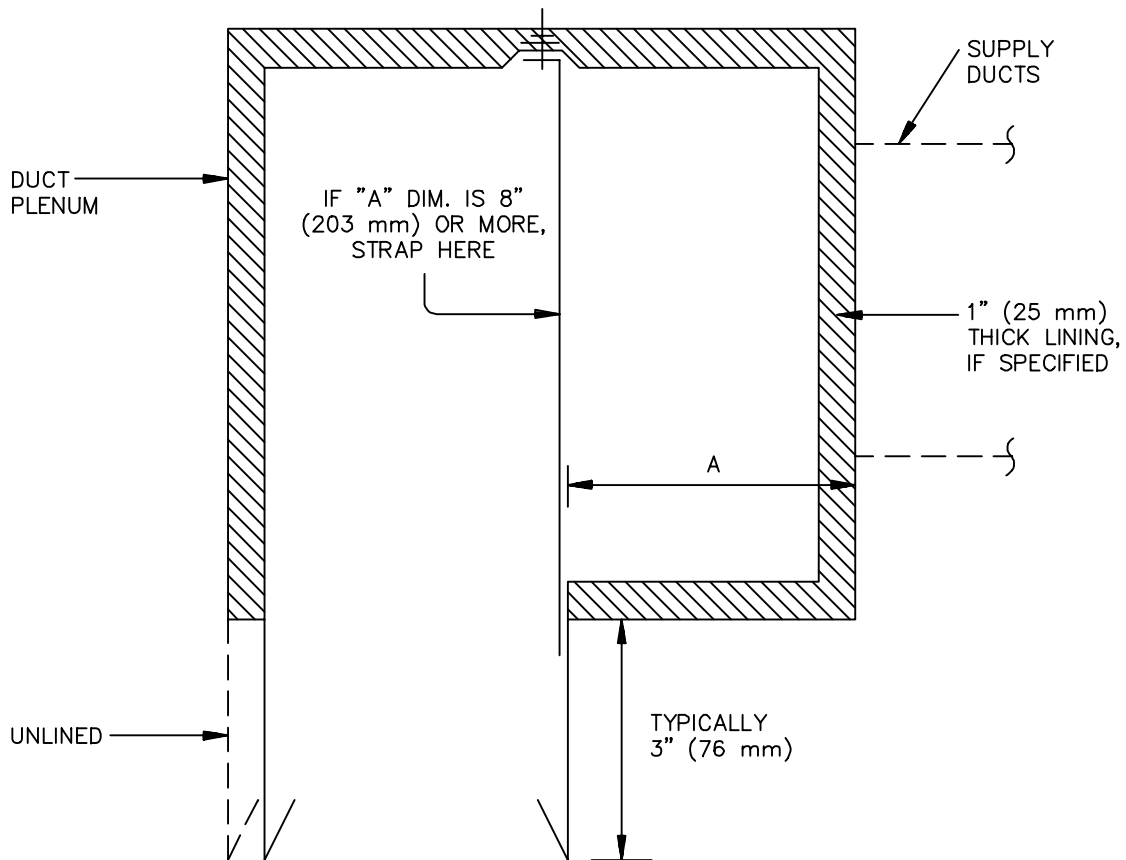
**FIGURE 2-14 GRILLE AND REGISTER CONNECTIONS**





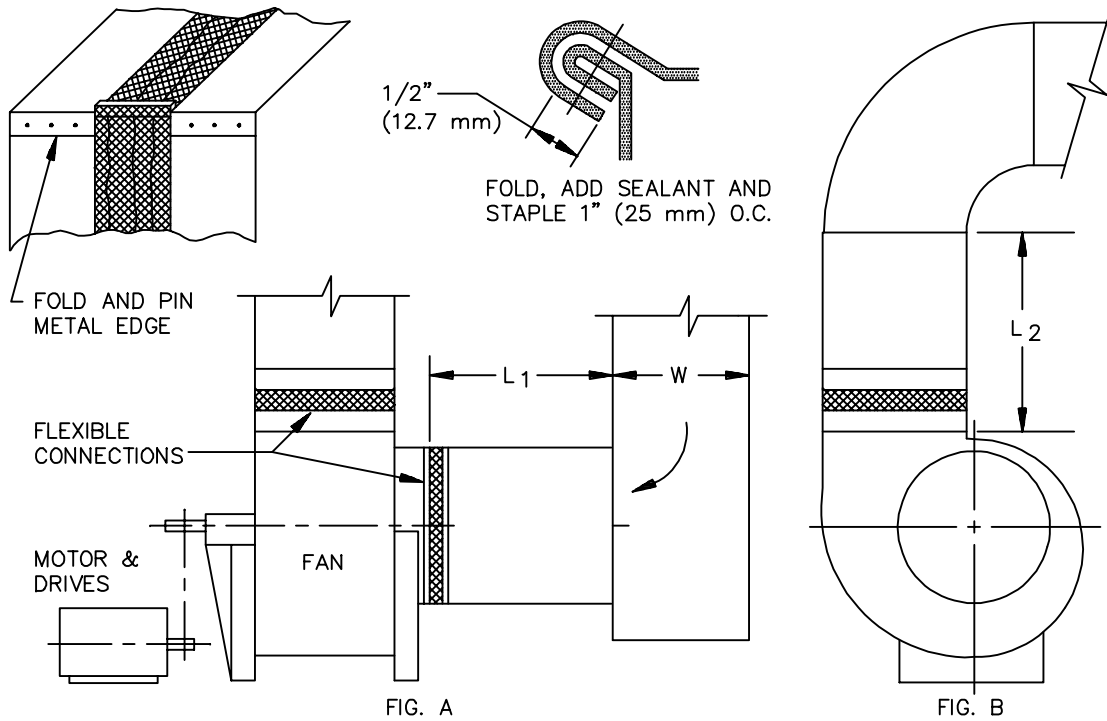


**FIGURE 2-15 CEILING DIFFUSER BRANCH DUCTS**



OTHER ARRANGEMENTS CAN SATISFY REQUIREMENTS FOR ALIGNMENT AND SUPPORT.

**FIGURE 2-16 LINEAR DIFFUSER PLENUM**



NOTE: SMACNA DUCT DESIGN MANUAL, AND AMCA PUBLICATION 201 REVIEW PERFORMANCE OF VARIOUS INLET AND OUTLET CONDITIONS (L<sub>2</sub>, W DIMENSIONS, ETC.)

SEE SMACNA 1990 DUCT DESIGN MANUAL FIG. 6-20 FOR INLET ARRANGEMENT IN CRAMPED SPACE

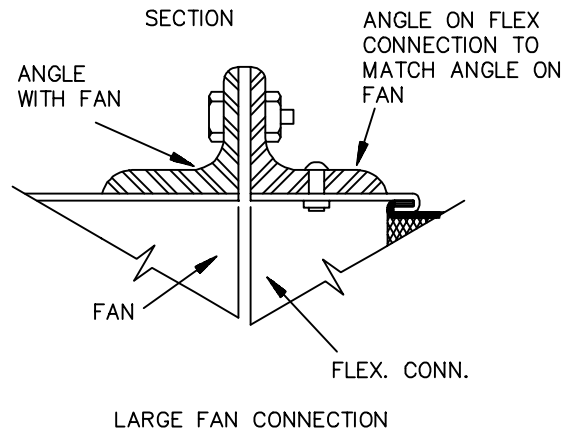
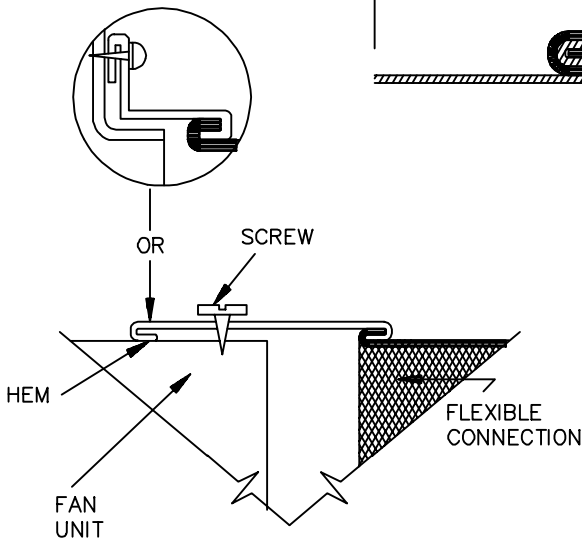
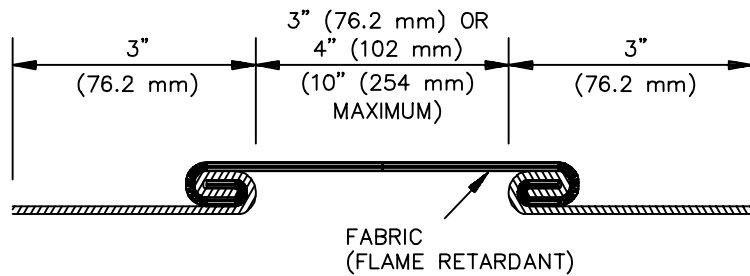
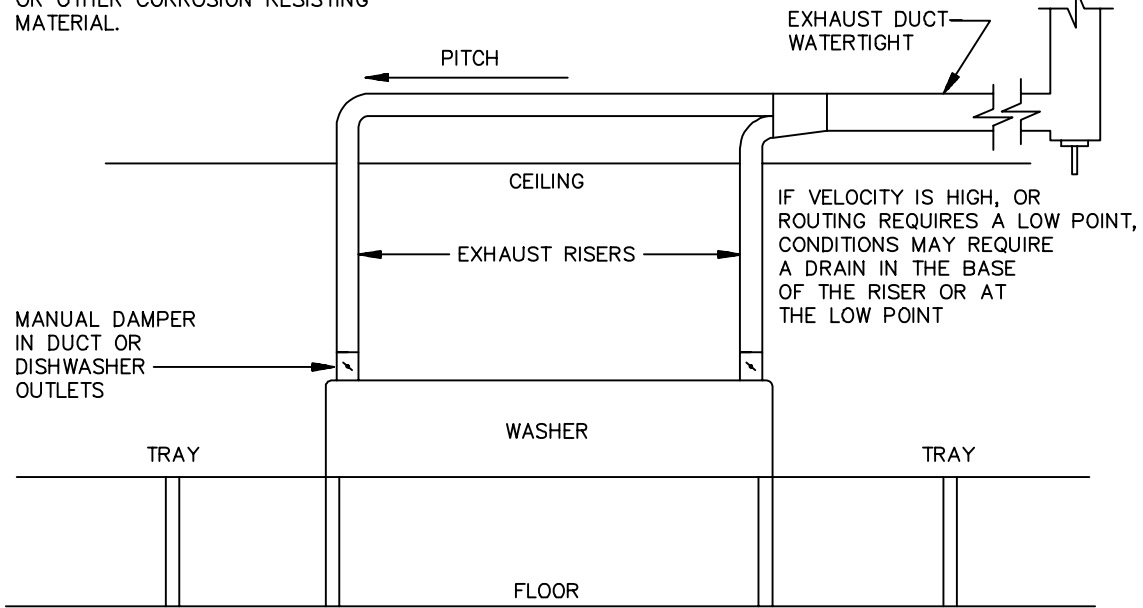


FIGURE 2-17 FLEXIBLE CONNECTIONS AT FAN

DESIGNERS SHOULD CONSIDER SPECIFYING STAINLESS STEEL OR OTHER CORROSION RESISTING MATERIAL.

SEE FIG. 1-5 SEAM LOCATIONS A, C OR D ARE PREFERRED.



SEE SMACNA 1990 DUCT DESIGN MANUAL FIG. 6-20 FOR INLET ARRANGEMENT IN CRAMPED SPACE

WASHER ELEVATION CONNECTIONS IN WASHER

FIG. A

DESIGNERS SHOULD CONSULT A.C.G.I.H. INDUSTRIAL VENTILATION PLATE VS-30-01 FOR OTHER INFORMATION

PITCH HORIZONTAL DUCTS TO DRAIN TOWARD THE WASHER

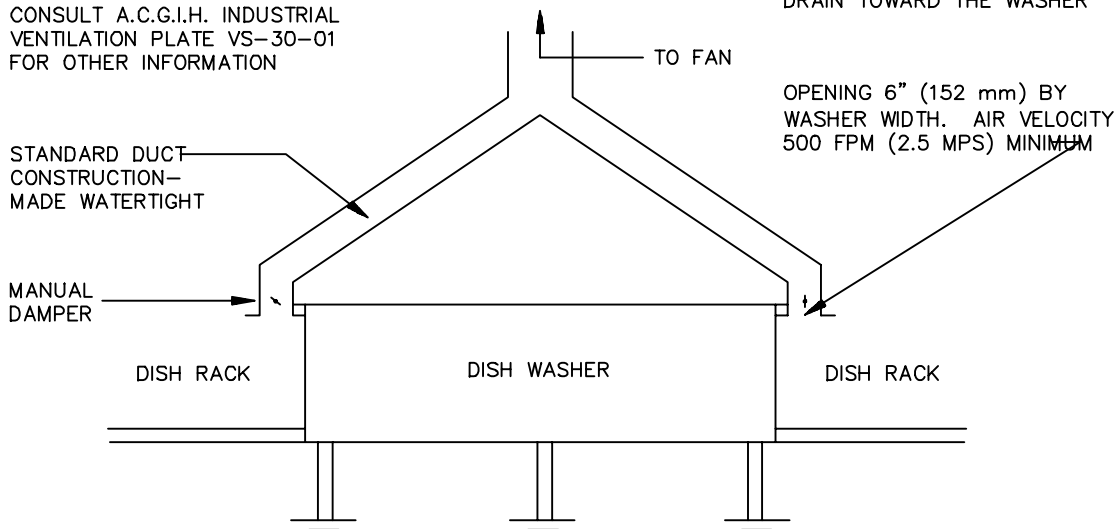


FIG. B

(ALTERNATIVE METHOD)

FIGURE 2-18 DISHWASHER VAPOR EXHAUST

## 2.5 HOODS

In recent years, there has been a great increase in the extent of construction detail for dust, fume, and grease removal systems that appears in codes and code-invoked standards such as NFPA-91, “Blower and Exhaust Systems” and NFPA-96, “Removal of Smoke and Grease-Laden Vapors from Commercial Cooking Equipment”. Such detail now sets forth material, wall thickness, and joint construction, among other features. Furthermore, much data on the shape, size, and location of kitchen range and other hoods is published in the book *Industrial Ventilation*, by the American Conference of Governmental Industrial Hygienists and is available from SMACNA. Examples are Kitchen Range Hood Plates VS-910 and VS-911, Paint Spray Booth Plates VS-603 and 604, and Charcoal Broiler Hood Plate VS-913. Chapter 4 is devoted to hood design data and Chapter 5 to spe-

cific operations involving hoods and ducts. Moreover, new emphasis on energy conservation has prompted the increased use of localized exhaust and makeup air.

These and similar industry changes have resulted in reliance on customized designs rather than standard designs such as those formerly published by SMACNA.

Contact SMACNA for information on licensed fabrication of certain kitchen hoods that have met UL requirements for listing.

Designers should consult these references, illustrate the complete design on contract drawings, and make limited reference to the duct construction detail in this manual, if necessary.

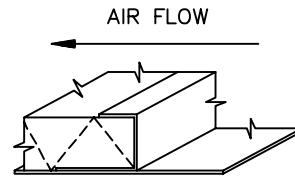
“Hooded” air intakes and exhausts for the exterior of buildings are detailed in the Appendix.



**NOTE:**

SEE TYPICAL DUCT BRANCH ENTRY CONDITION IN FIG. 2-6.

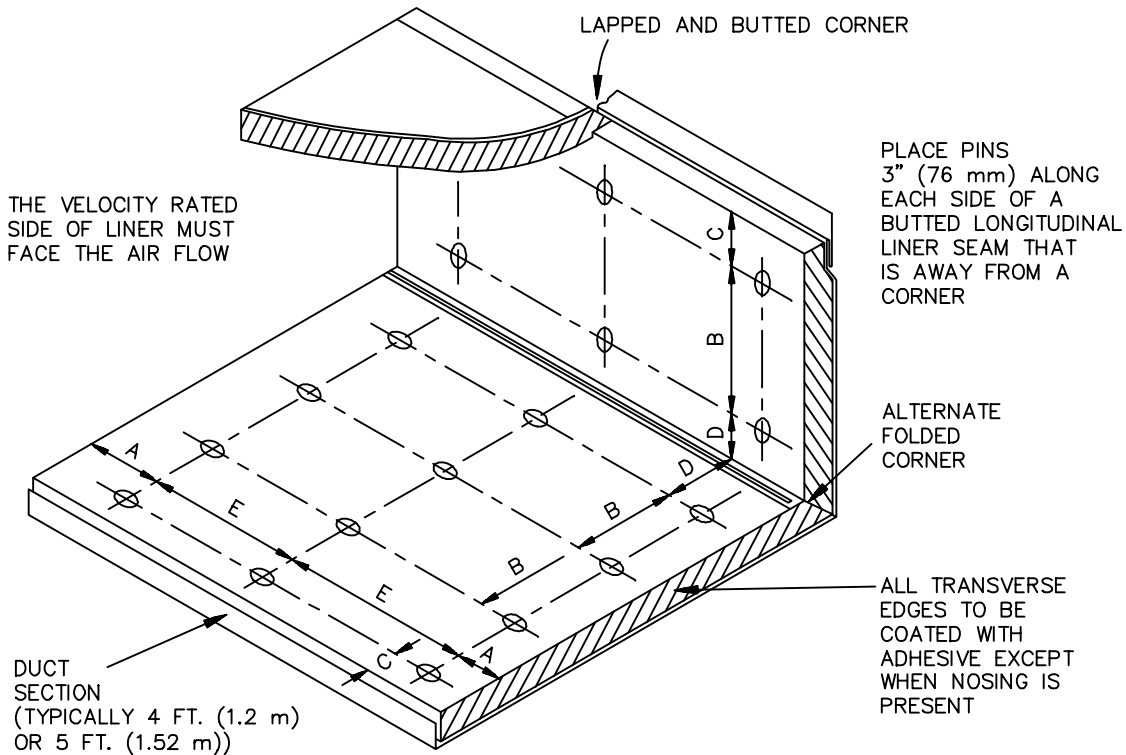
METAL NOSING MUST BE USED WHEREVER LINER IS PRECEDED BY UNLINED METAL; OTHERWISE WHEN VELOCITY EXCEEDS 4000 FPM (20.3 MPS) USE METAL NOSING ON EVERY LEADING EDGE. NOSING MAY BE FORMED ON DUCT OR BE CHANNEL OR ZEE ATTACHED BY SCREWS, RIVETS OR WELDS.



DETAIL - A

METAL NOSING  
CHANNEL OR ZEE

INTERIOR WIDTH OF 8" (200 mm) AND LESS DOES NOT REQUIRE PINS.



MAXIMUM SPACING FOR FASTENERS.  
ACTUAL INTERVALS ARE APPROXIMATE.

"A" PIN ROW MAY BE OMITTED WHEN METAL NOSING IS USED. "E" THEN STARTS FROM THE NOSING.

LINER ADHERED TO THE DUCT WITH 90% MIN. AREA COVERAGE OF ADHESIVE

Velocity *	Dimensions				
	A	B	C	D	E
0 - 2500 FPM (0 - 12.7 MPS)	3" (76.2)	12" (305)	4" (102)	6" (152)	18" (457)
2501 - 6000 FPM (12.7 - 30.5 MPS)	3" (76.2)	6" (152)	4" (102)	6" (152)	16" (406)

\* UNLESS A LOWER LEVEL IS SET BY MANUFACTURER OR LISTING AGENCY

**FIGURE 2-19 FLEXIBLE DUCT LINER INSTALLATION**

**2.6 INSTALLATION STANDARDS FOR RECTANGULAR DUCTS USING FLEXIBLE LINER**

unless the size of the duct and standard liner product dimensions make them necessary.

- S2.0 Flexible duct liner of the specified material, thickness, and density shall be furnished and installed where shown on the contract drawings.
- S2.1 Unless otherwise indicated, the net free area of the duct dimensions given on the contract drawings shall be maintained. The duct dimensions shall be increased as necessary to compensate for liner thickness.
- S2.2 The liner surface designated to be exposed shall face the airstream.
- S2.3 Each layer of duct liner shall be attached with 90% coverage of adhesive at the liner contact surface area.
- S2.4 All transversely oriented edges of liner facing in the direction of airflow and not receiving metal nosing shall be coated with adhesive. Liner shall be neatly butted without gaps at transverse joints and shall be coated with adhesive at such joints before butting.
- S2.5 Liner shall be folded and compressed in the corners of rectangular duct sections or shall be cut and fit to ensure butted edge overlapping. Longitudinal joints in duct the liner shall not occur except at the corners of ducts,

- S2.6 Ducts with interior widths of 8” (203 mm) or less do not require mechanical fasteners in addition to adhesive.
- S2.7 Except as noted in paragraph S2.6, mechanical fasteners shall be located with respect to *interior* dimensions and regardless of airflow direction as in the accompanying table and in Figure 2- 19.
- S2.8 Longitudinal joints in liners shall be coated with adhesive when velocities over 2500 fpm (12.7 mps) are anticipated.
- S2.9 Metal nosings that are either channel or zee profile or are integrally formed from the duct wall shall be securely installed over transversely oriented liner edges, facing the airstream, at fan discharge and at any interval of lined duct preceded by unlined duct. In addition, where velocities exceed 4000 fpm (20.3 mps), metal nosing shall be used on upstream edges of liner at every transverse joint.
- S2.10 Where dampers, turning vane assemblies, or other devices are placed inside lined ducts or fittings, the installation must not damage the liner or cause erosion of the liner. The use of metal hat sections or other buildout means is optional; when used, buildouts shall be secured to the duct wall with bolts, screws, rivets, or welds.

Velocity	Transversely	
	Around	Perimeter
2500 fpm (12.7 mps) and less	At 4” (102 mm) from longitudinal liner edges, at 6” (152 mm) from folded corners and at intervals not exceeding 12” (305 mm)	Longitudinally At 3” (76 mm) from transverse joints and at intervals not exceeding 18” (457 mm)
2501 fpm (12.7 mps) to 6000 fpm (30.5 mps)	At 4” (102 mm) from longitudinal liner edges, at 6” (152 mm) from folded corners and at intervals not exceeding 6” (152 mm)	At 3” (76 mm) from transverse joints and at intervals not exceeding 16” (406 mm)



S2.11 Liners shall also be installed with mechanical fastening devices that:

- a. are spaced in accordance with Figure 2- 21,
- b. when installed, are as corrosion resistant as G60 coated galvanized steel,
- c. will not adversely affect the fire resistance classification of liner and adhesives,
- d. do not damage the liner when applied as recommended by the manufacturer,
- e. do not cause leakage in the duct,
- f. do not project more than nominally into the airstream,
- g. will indefinitely sustain a 50 lb (22.7 Kg) tensile dead load test perpendicular to the duct wall,
- h. are the correct length specified for the liner thickness used, and
- i. are installed with pins perpendicular to the duct wall.

## 2.7 COMMENTARY

These standards assume that the designer of a duct system has:

- a. examined the liner reference texts listed in the front of this document;
- b. clearly designated on the contract drawings the amount of ductwork to receive lining;
- c. specified the type of liner, the thickness and density of liner and the type of liner, adhesive to be used (see page x references);
- d. determined that the specified liner materials have the acoustical, friction loss, and other performance characteristics required for the application; and
- e. provided for condensation control where the interruption of the liner would cause a problem.

Typically, duct liner is of flexible fibrous glass material of 1" (25 mm) thickness and 1–1/2 pounds per cubic foot (24 Kg/m<sup>3</sup>) density. It is primarily used for

its sound absorption characteristics, although it may have some thermal resistance value. Molded round liner is available. Metal wall inner lining is available for all conventional duct shapes; typically it is of 22 gage (0.85 mm) galvanized steel with 3/32" (2.4 mm) diameter holes on 3/16" (4.8 mm) or 1/4" (6.4 mm) centers. The double-wall style of lined duct is used where increased resistance to damage is desired or where erosion of the inner surface might occur.

Standard flexible liner is normally shop-installed. Minor damage to the liner surface may occur in transportation and handling. Small cuts, tears, or abrasions may be repaired with fire retardant adhesive. Material that has significant damage cannot be considered to be in new condition.

Liner is normally prequalified for a certain resistance to moisture absorption, mold growth, and degradation from high humidity. Occasional exposure to wet weather during transportation or to prebuilding enclosure conditions in new construction does not necessarily impair the liner's performance. In such cases, drying or other corrective measures recommended by the material manufacturer should be followed.

Installing two layers of material to meet a minimum liner thickness is not recommended. For special circumstances, when it must be done, 90% minimum adhesive coverage of each layer should make the two layers act as one. In addition, pay special attention to the leading edge conditions.

Normally, duct linings must be interrupted at fire dampers (to avoid adverse effects on damper operation) and at heat sources (to meet minimum clearances specified in an equipment listing). *Note: Some appliances are rated for a zero clearance to combustible material.*

Liner adhesives are usually water-based or solvent-based, and they may be flammable in wet or dry states. Designers should select adhesives that meet construction and code requirements. So-called safety standards may involve tests that report various characteristics but do not meet up to a hazard classification under installed conditions. Contractors are invited to follow ventilation, storage, and other precautions published by the adhesive manufacturers.

### 2.7.1 Liner Fastener Commentary

Three types of fasteners are commonly used with duct liners. For each type of fastener, a specific pin length is appropriate for each type and thickness of liners. It is important that the proper pin length be used, otherwise a faulty installation will result.





Fasteners designed to be secured with adhesives have a large base on which to apply the adhesive. After waiting enough time to achieve adequate bond strength which will vary, depending on the air temperature-impale the duct liner on the pin and add the spring clip or washer.

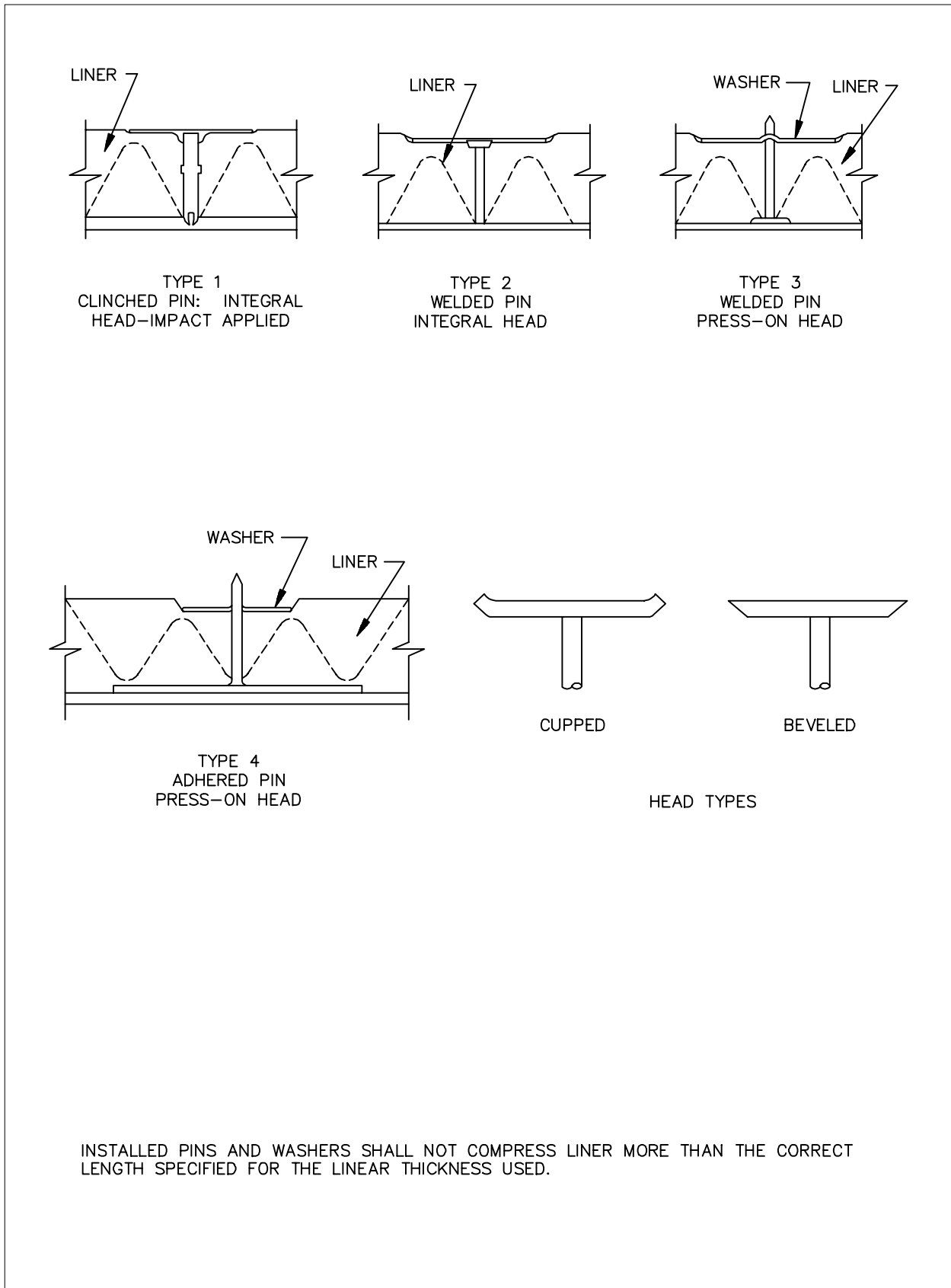
Mechanically secured fasteners form a positive attachment to the sheet metal. Typically, they are impact-applied, hardened steel fasteners which bite into the sheet metal.

Weld-secured fasteners are attached by two techniques: resistance welding and capacitance discharge

welding. Correct adjustment of the timing devices is necessary to obtain a solid weld without burn-through.

The type of pin that is applied before duct liner installation takes a spring-clip or washer. Pins with pre-attached caps are pressed through the insulation and attached to the duct in a single operation.

Depending on the type of fastener, discoloration or dimpling may be evident when fasteners are properly attached to the sheet metal. This does not affect the serviceability of the fastener or of the sheet metal.



TYPE 1  
CLINCHED PIN: INTEGRAL  
HEAD-IMPACT APPLIED

TYPE 2  
WELDED PIN  
INTEGRAL HEAD

TYPE 3  
WELDED PIN  
PRESS-ON HEAD

TYPE 4  
ADHERED PIN  
PRESS-ON HEAD

CUPPED

BEVELED

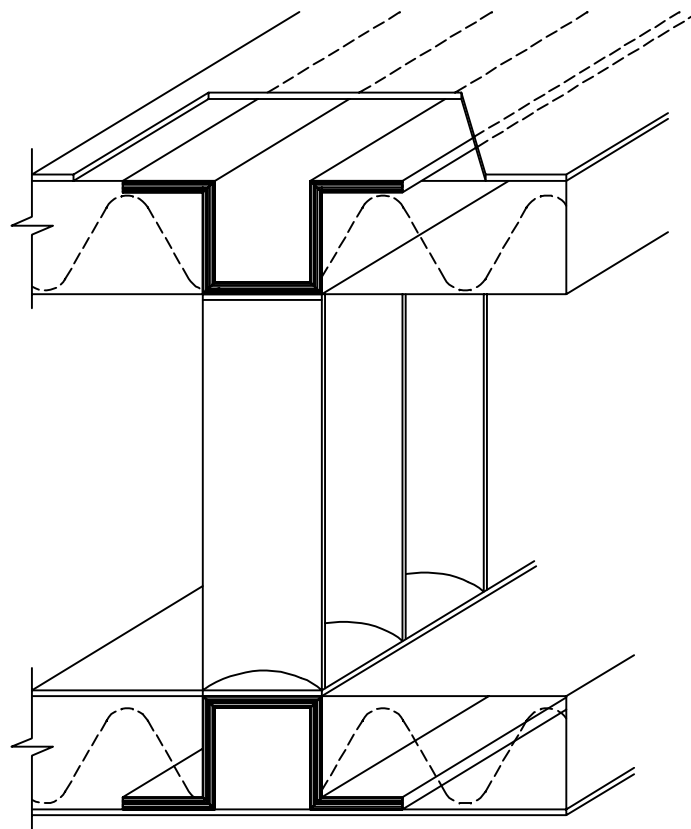
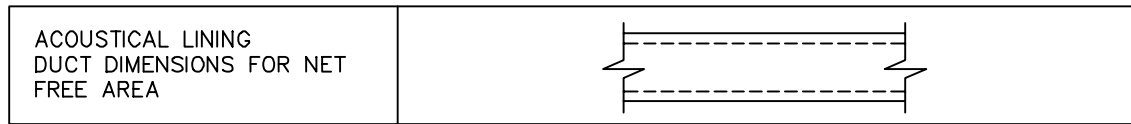
HEAD TYPES

INSTALLED PINS AND WASHERS SHALL NOT COMPRESS LINER MORE THAN THE CORRECT LENGTH SPECIFIED FOR THE LINER THICKNESS USED.

**FIGURE 2-20 LINER FASTENERS**



STANDARD SYMBOLS NOW REFLECT THE PROPER DESIGNATION FOR SHOWING DUCT LINER ON DRAWINGS. DUCT DIMENSIONS DESIGNATE NET FREE AREA.

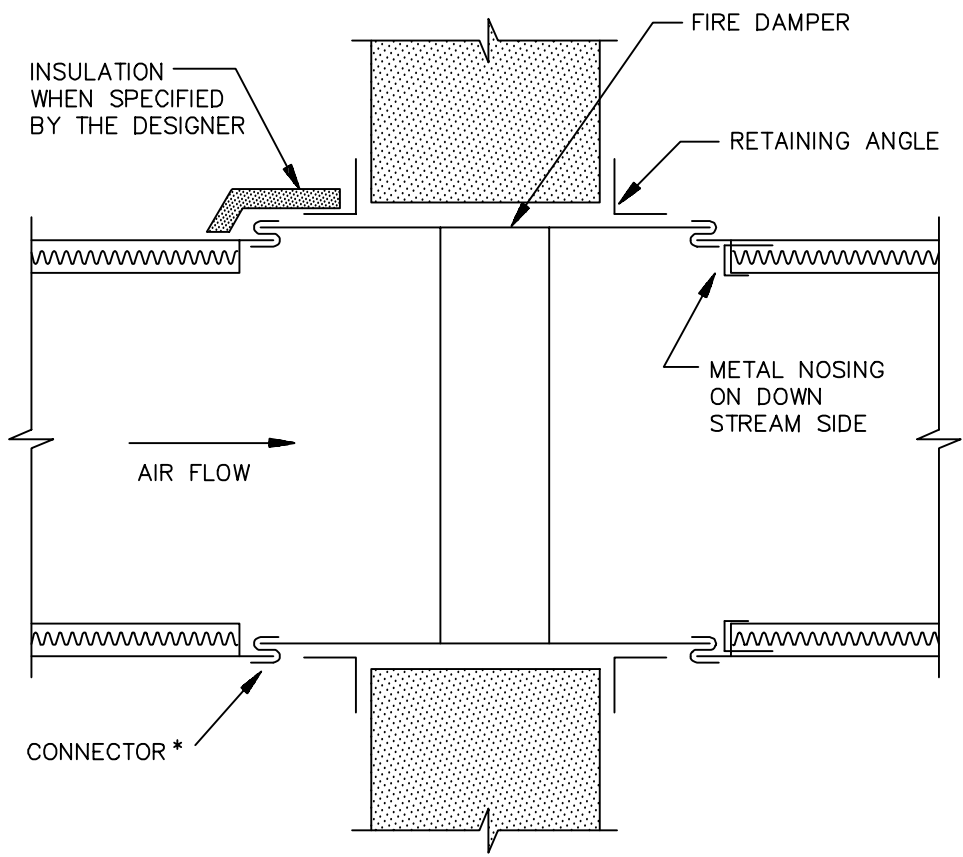


\* HAT SECTION USED AS INSULATED "BUILD OUT".  
BUILD OUT IS ATTACHED TO DUCT WITH SHEET  
METAL SCREWS, BOLTS OR WELDS.  
\* usage range 4001 FPM (20.3 mps) – 6000 FPM (30.5 mps)

SEE FIG. 2-3 and 2-4.

VANES AND DAMPERS MUST BE INSULATED IN A MANNER THAT  
WILL NOT DISRUPT LINER, RESTRICT DAMPER OPERATION OR  
INCREASE FRICTION LOSS.

**FIGURE 2-21 OPTIONAL HAT SECTION**



Interruption of duct liner at fire damper (to avoid impairing damper operation) is required by NFPA Standard 90A. Where 90A is applicable, installation may be made as shown and should otherwise conform to the Duct Liner Installation Standards.

The designer should consider the possibility and consequences of condensation occurring on unlined or uninsulated metal at penetrations and should specify control measures.

This illustration and text does not address features of fire damper installations unrelated to duct liner.

\*S Slip illustrated; see type of connections permitted as a condition of damper listing.

**FIGURE 2-22 DUCT LINER INTERRUPTION**



**CHAPTER 3**

**ROUND, OVAL, AND FLEXIBLE DUCT**

### 3.1 ROUND DUCT CONSTRUCTION STANDARDS

Fitting classes available for designer use in project specifications or contractor selection as being fit for the project specifications that adopt these standards are as follows. Category listings are not intended to preclude different selections for fittings that function as area change, direction change, converging flow, diverging flow, or special purpose. Category listings also do not necessarily apply to their end connections to other fittings, straight duct sections or equipment.

1. All continuously welded or brazed.
2. Tack or spot welded (and sealed or unsealed).
3. Seam locked (and sealed or unsealed).
4. Rivet, screw, or punched-die-stamp locked (and sealed or unsealed).

The preceding categories may have additional forming prescriptions such as rolled, stamped, gored, spun, pleated, semi-pleated, or other methods. For purposes of distinction, openings in sections of straight ducts to receive taps of any connection method are not deemed to be fittings; but connection thereto may be specified by a prescribed method.

- S3.0 Flexible duct liner of the specified material, thickness, and density shall be furnished and installed where shown on the contract drawings.
- S3.1 Round ducts shall be constructed in accordance with Tables 3-2 and 3-3. Table 3-2 is based on G-60 coated galvanized steel of ASTM Standards A653 and A924 grades. Uncoated, polyvinyl coated, aluminum alloy coated or aluminum-zinc alloy coated steel or stainless steel may be used if a minimum corresponding base metal thickness and material strength is provided. Lockforming quality is required. The use of an alternative material requires, specification or approval by a designer.
- S3.2 Fittings shall have a wall thickness not less than that specified for longitudinal-seam straight duct unless otherwise provided in Tables 3-2 and 3-3. The diameter of fittings

shall be appropriate for mating with sections of the straight duct, equipment, and air terminals to which they connect.

- S3.3 Sleeves, collars, and fittings to connect a round duct to a rectangular duct or to flexible ducts shall conform to S3.1 unless a different practice is supported by test data or affidavits confirming suitability for the service. *See* Figures 2-6 and 2-15 and pages 3-13 to 3-20.
- S3.4 Nothing in this specification is meant to imply that the designer cannot by project specification designate acceptable construction methods.
- S3.5 The use of a saddle or a direct connection of a branch into a larger duct is acceptable. Where they are used, the diameter of the branch shall not exceed two-thirds of the diameter of the main, and protrusions into the interior of the main, are not allowed. Direct connection of a branch into a main shall include mechanical attachment sufficient to maintain the integrity of the assembly. All saddle fittings shall be sealed at all pressures.
- S3.6 Where other limitations are not stated, mitered elbows shall be based on the velocity of flow and shall be constructed to comply with Table 3-1.
- S3.7 The illustration of 90 elbows in Figure 3-3 does not preclude shapes of less than 90 degrees.
- S3.8 Figure 2-7 is applicable for in-line offsets.
- S3.9 Volume damper construction is provided on pages 2-15 and 2-16.
- S3.10 Ducts shall be suspended in accordance with Section IV. Additional supports shall be added if necessary to control deflection of ducts or to maintain their alignment at branch intersections. The support system shall not cause out-of-round shape.
- S3.11 The requirements of Table 1-2 for sealing are applicable.



**TABLE 3-1  
MITERED ELBOWS**

Duct Velocity	R/D Ratio Centerline Radius to Duct Diameter	Number of Mitered Pieces		
		90 deg.	60 deg.	45 deg.
Up to 1000 fpm	0.6	3	2	2
1001 to 1500 fpm	1.0	4	3	2
Above 1500 fpm	1.5	5	4	3

### 3.2 COMMENTARY

Round duct has a high strength to weight ratio, uses the least material to convey air at a given friction loss, and is comparatively easy to seal. The wall thickness suitable for positive pressure application is generally less than that for negative pressure. For positive pressure (and low negative pressure), girth ring reinforcement is not necessary. However, rings may be used to maintain the round shape to facilitate handling, shipment, or connection.

The tables indicate that a 10" WG. (2500 Pa) negative pressure is the maximum classification. Some of the constructions in the tables will qualify at higher negative levels. For spiral ducts, higher negative pressure service information (and bursting pressure in positive mode) is available from industry sources.

Designers should consult SMACNA's *Round Industrial Duct Construction* manual for:

- a. construction of any system carrying particulate or corrosive fumes (*i.e.*, systems for other than clean air),
- b. use of high negative pressure construction or (conservatively) for higher positive pressure than this document provides for,
- c. extended hanger spacing,
- d. engineering design of bolted flanged joints,
- e. negative pressure construction alternatives, and
- f. negative pressure service levels over 10" WG. (2500 Pa)

This manual also does not indicate preference for any one type of longitudinal seam. The length of straight

longitudinal seam duct will generally be determined by the size of the fabricator's rolling equipment. The length of spiral seam duct is limited by considerations such as in-line fitting frequency, potential for damage in shipment, maneuverability of the sections on the job, the number of support points needed to place the duct in its final location, and other factors.

The most popular transverse joints are the slip or lap types. The flanged joint is used in ducts over 60" (1524 mm) in diameter because of its advantage in retaining the circular shape.

Access to joints for makeup and orientation in vertical or horizontal positions will influence the choice of connection.

The SMACNA *HVAC Duct Systems Design* manual and the ASHRAE *Fundamentals Handbook* chapter on duct design contain far more configurations of round fittings than this manual. Friction loss data is provided in these design manuals. Where fittings of comparable or better performance are illustrated in duct design handbooks, designers are encouraged to consider allowing a substitution. Omissions from this document are not intended as prohibitions against using other constructions.

Double-wall rigid round duct is available from several industry sources. It is used for its acoustical value, and the perforated (typically metal) inner wall provides resistance to erosion of the duct liner.

Round spiral seam ducts with thinner than traditional wall thickness and with one or more corrugations (ribs) formed between the lock seams have been introduced in industry. Some of these forms have been tested for compliance with UL Standard 181 and have qualified for Class O listing. As the industry develops more experience with these in installation and service, and as more functional performance criteria are identified, it is anticipated that such forms will be



added to SMACNA construction standards. Authorities and contractors are invited to evaluate them by information currently available.

**Precaution:** Small differences occur in the diameter of ducts and fittings. Proper clearances are necessary. Verify suitability of fit, particularly when procurement is from outside sources.

TABLE 3-2A ROUND DUCT GAGE UNREINFORCED POSITIVE PRESSURE						
MAX. DIA.	+2" wg		+4" wg		+10" wg	
	Spiral Seam	Long. Seam	Spiral Seam	Long. Seam	Spiral Seam	Long. Seam
6"	28	28	28	28	28	28
8"	28	28	28	28	28	26
10"	28	26	28	26	28	26
12"	28	26	28	26	26	24
14"	28	26	26	24	26	24
16"	26	24	26	24	24	22
18"	26	24	24	24	24	22
19-26"	26	24	24	22	24	22
27-26"	24	22	22	20	22	20
37-50"	22	20	20	20	20	20
51-60"	20	18	18	18	18	18
61-84"	18	16	18	16	18	16

#### REFERENCES FOR ROUND DUCT CONSTRUCTION

1. Pressure and Velocity Classification, page 1-6.
2. Sealing requirements, page 1-9.
3. Specifications for duct and fittings, page 3-1.
4. Longitudinal seams, page 3-7.  
Note: Fig. 3- 1 has other pressure limits.
5. Transverse joints, page 3-8.  
Note: Fig. 3- 2 has other pressure limits.
6. Elbows, page 3-9.
7. Inline offsets and transitions, page 2-9.
8. Tees and laterals, pages 3-10 and 3-11.
9. Rectangular main to round branch, page 2-9.
10. Flexible connections, pages 3-15 to 3-18.
11. Dampers, page 2-16.
12. Access doors, page 2-14.
13. Hangers, page 4-8.
14. Aluminum duct Schedule, page 3-6.
15. Polyvinyl coated steel or stainless steel: Use galvanized steel schedule.





**TABLE 3-2AM  
ROUND DUCT GAGE UNREINFORCED  
POSITIVE PRESSURE**

MAX. DIA. (mm)	+500 Pa		+1000 Pa		+2500 Pa	
	Spiral Seam	Long. Seam	Spiral Seam	Long. Seam	Spiral Seam	Long. Seam
150	0.48	0.48	0.48	0.48	0.48	0.48
200	0.48	0.48	0.48	0.48	0.48	0.55
250	0.48	0.55	0.48	0.55	0.48	0.55
300	0.48	0.55	0.48	0.55	0.55	0.70
360	0.48	0.55	0.55	0.70	0.55	0.70
400	0.55	0.70	0.55	0.70	0.70	0.85
460	0.55	0.70	0.70	0.70	0.70	0.85
660	0.55	0.70	0.70	0.85	0.70	0.85
910	0.70	0.85	0.85	1.00	0.85	1.00
1270	0.85	1.00	1.00	1.00	1.00	1.00
1520	1.00	1.31	1.31	1.31	1.31	1.31
2130	1.31	1.61	1.31	1.61	1.31	1.61

Nominal Thickness in Millimeters

See references list on page 3.2.

**TABLE 3-2B  
ROUND DUCT GAGE  
NEGATIVE PRESSURE**

MAX. DIA.	-2" wg		-4" wg		-10' wg	
	Spiral Seam	Long. Seam	Spiral Seam	Long. Seam	Spiral Seam	Long. Seam
6"	28	28	28	28	26	26
7"	28	28	28	28	26	26
8"	28	28	28	28	26	26
9"	28	28	28	26	26	24
10"	28	28	26	26	26	22
11"	28	26	26	24	26	22
12"	28	26	26	24	24	22
13"	28	26	26	24	24	20
14"	28	24	24	22	24	20
15"	28	24	24	22	22	20
16"	26	24	24	22	22	18
17"	26	24	24	20	22	18
18"	24	22	24	20	22	18
19"	24	22	24	20	22	18
20"	24	22	22	20	22	18
21"	24	20	22	18	22	18
22"	24	20	22	18	22	16
23"	24	20	22	18	20	16
24"	22	20	22	18	20	16
25-26"	22	20	20	18	20	18 A4
27-29"	22	18	20	16	18	16 A4
30"	22	18	20	16	18	16 B4
31-33"	20	18	20	16	18	16 B4
34"	20	18	20	20 A6	18	16 B4
35-36"	20	16	20	20 A6	18	16 B4
37-42"	20	16	18	18 B6	18 F12	
43-48"	20	18 A6	18	18 B6	18 F6	
49-60"	18	18 B4	18 F6	16 B4	18 F6	
61-72"	16		18 F6		16 F4	

An alphabet letter in the table means that reinforcement angles or their equivalent must be used as the foot interval following the letter. The angles sizes are:

A=1"x1" x 1/8"; B=1-1/4" x 1-1/4" x 3/16"; C=1-1/2" x 1-1/2" x 3/16"; D=1-1/2" x 1/4"; E=2" x2" x3/16"; F=2" x 2" x 1/4.

If companion flange joints are used as reinforcements, those for 25" to 36" diameter shall be 1-1/2" x1- 1/2"x 3/16"; for 37" to 48" diameter 2" x 2" x 3/16"; for 40" to 60" diameter 2-1/2" x 2-1/2" x 3/16"; for 61" to 72" diameter 3"x 3" x 1/4".



**TABLE 3-2BM  
ROUND DUCT GAGE METRIC  
NEGATIVE PRESSURE**

MAX. DIA.	-500 Pa		-1000 Pa		-2500 Pa	
	Spiral Seam	Long. Seam	Spiral Seam	Long. Seam	Spiral Seam	Long. Seam
150	0.48	0.48	0.48	0.48	0.55	0.55
180	0.48	0.48	0.48	0.48	0.55	0.55
200	0.48	0.48	0.48	0.48	0.55	0.55
230	0.48	0.48	0.48	0.55	0.55	0.70
250	0.48	0.48	0.55	0.55	0.55	0.85
280	0.48	0.55	0.55	0.70	0.55	0.85
300	0.48	0.55	0.55	0.70	0.70	0.85
330	0.48	0.55	0.55	0.70	0.70	1.00
360	0.48	0.70	0.70	0.85	0.70	1.00
380	0.48	0.70	0.70	0.85	0.85	1.00
400	0.55	0.70	0.70	0.85	0.85	1.31
430	0.55	0.70	0.70	1.00	0.85	1.31
460	0.70	0.85	0.70	1.00	0.85	1.31
480	0.70	0.85	0.70	1.00	0.85	1.31
500	0.70	0.85	0.85	1.00	0.85	1.31
530	0.70	1.00	0.85	1.31	0.85	1.31
560	0.70	1.00	0.85	1.31	0.85	1.61
580	0.70	1.00	0.85	1.31	1.00	1.61
600	0.85	1.00	0.85	1.31	1.00	1.61
660	0.85	1.00	1.00	1.31	1.00	1.31 A1.2
740	0.85	1.31	1.00	1.6	1.31	1.61 A1.2
760	0.85	1.31	1.00	1.6	1.31	1.61 B1.2
840	1.00	1.31	1.00	1.6	1.31	1.61 B1.2
860	1.00	1.31	1.00	1.00 A1.8	1.31	1.61 B1.2
910	1.00	1.61	1.00	1.00 A1.8	1.31	1.61 B1.2
1070	1.00	1.61	1.31	1.31 B1.8	1.31 F3.6	
1220	1.00	1.31 A1.8	1.31	1.31 B1.8	1.31 F1.8	
1520	1.31	1.31 B1.2	1.31 F1.8		1.31 F1.2	
1830	1.61		1.31 F1.8		1.61 F1.2	

An alphabet letter in the table means that reinforcement angles or their equivalent must be used as the foot interval following the letter. The angles sizes are:

A=25x25x3.2mm;B=32x32x4.8 mm;C=38x38x4.8mm;D=38x38x4.8mm;E=51x51x4.8mm;F=51x51x6.4mm.

If companion flange joints are used as reinforcements, those for 630 to 910 mm diameter shall be 38 x 38 x 6.4mm;for 940 to 1220 mm diameter 51 x 51 x 4.8 mm; for 1240 to 1520 mm diameter 64 x 64 x 4.8 mm; 1550 to 1830 mm diameter 76 x 76 x 6.4 mm.



**TABLE 3-3  
ALUMINUM ROUND DUCT GAGE SCHEDULE**

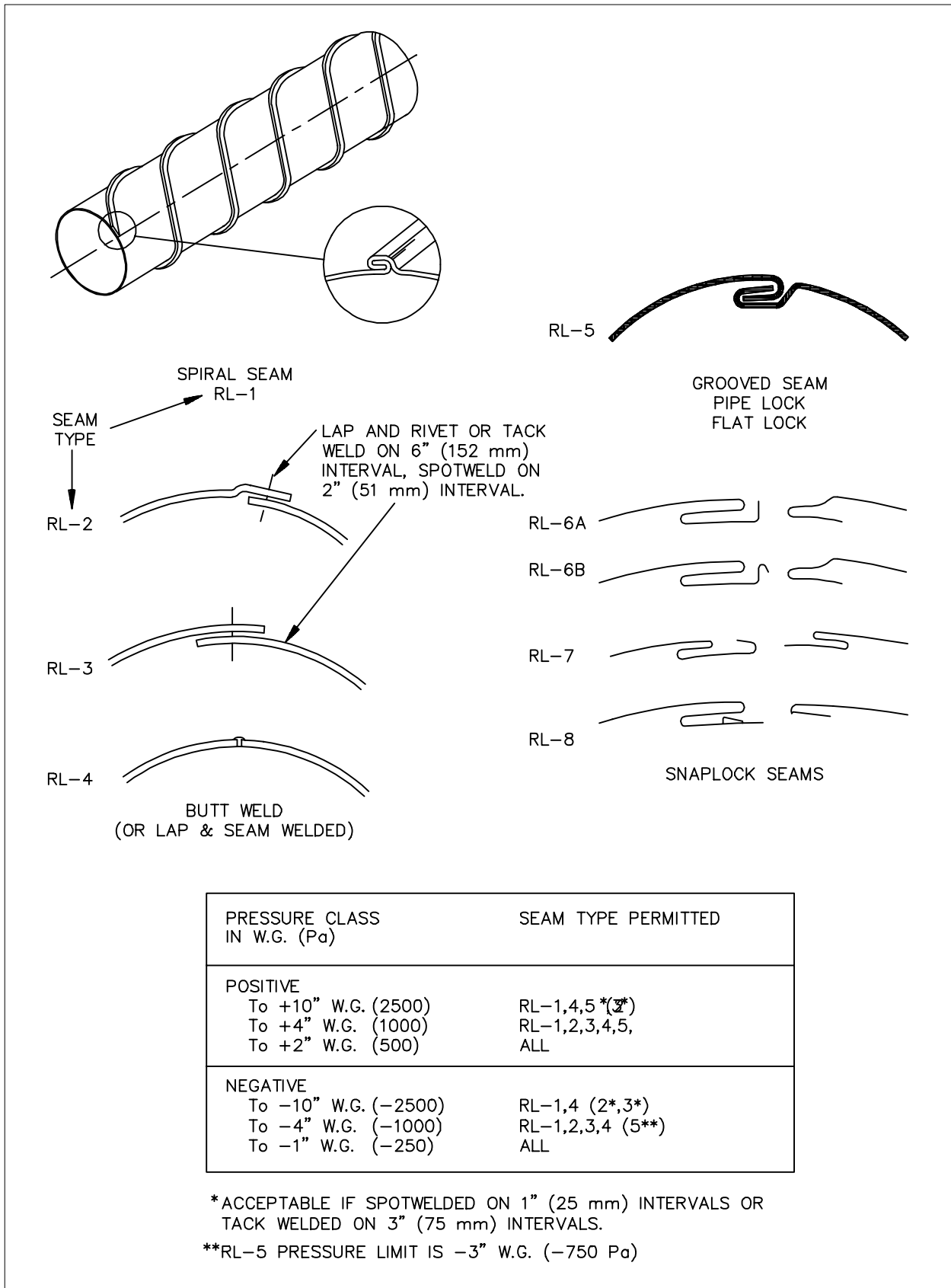
Duct Diameter in Inches	Maximum 2" wg Static Positive		Maximum 2" wg Static Negative	
	Spiral Seam Gage	Longitudinal Seam Gage	Spiral Seam Gage	Longitudinal Seam Gage
3 thru 8	.025"	.032"	.025"	.040"
9 thru 14	.025"	.032"	.032"	.040"
15 thru 26	.032"	.040"	.040"	.050"
27 thru 36	.040"	.050"	.050"	.063"
37 thru 50	.050"	.063"	.063"	.071
51 thru 60	.063"	.071"	N.A.	.090
61 thru 84	N.A.	.090"	N.A.	N.A.

**NOTES:**

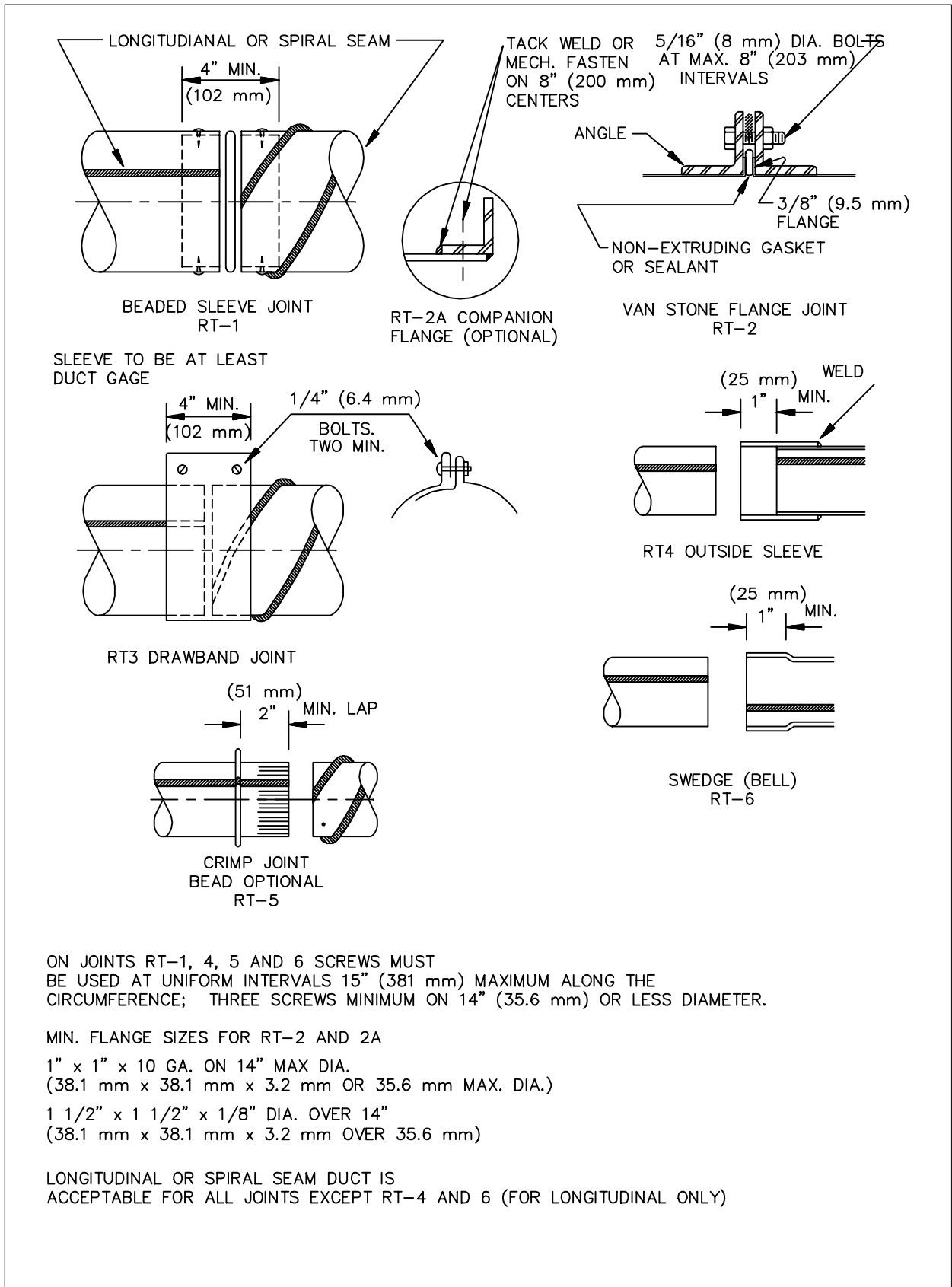
Construction of aluminum duct and fittings shall otherwise correspond in the same relationship as for steel duct.

Sheet material shall be alloy 3003-H14 unless otherwise specified. Aluminum fasteners shall be used. Structural members (if used) shall be alloy 6061-T6 or galvanized steel as related in table 1-16 on page 1-65 (for rectangular duct). Hangers in contact with the duct shall be galvanized steel or aluminum.

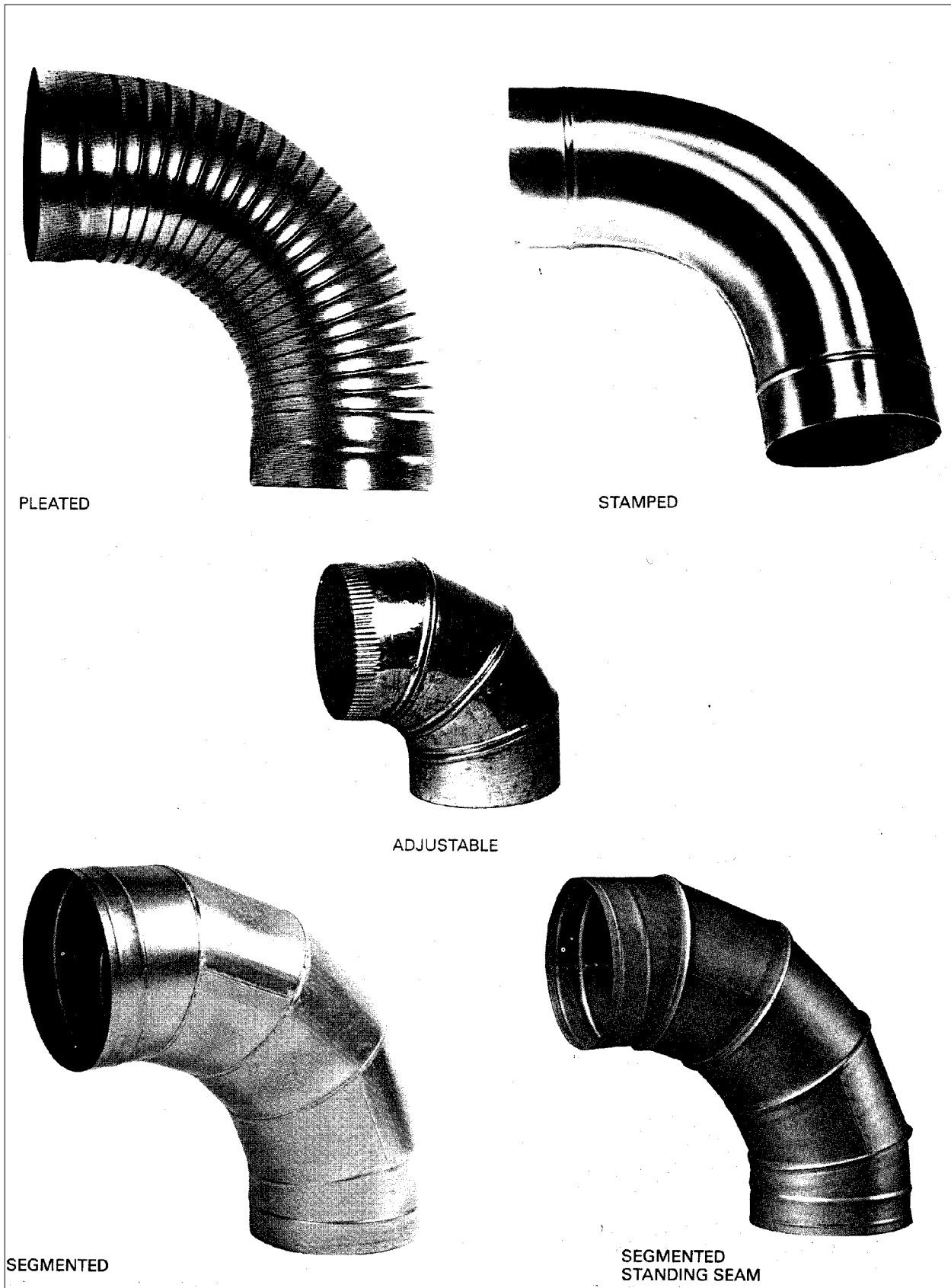
N.A. means not readily available or not assigned.



**FIGURE 3-1 SEAMS — ROUND DUCT AND FITTINGS**



**FIGURE 3-2 TRANSVERSE JOINTS — ROUND DUCT**



**FIGURE 3-3 ROUND DUCT ELBOWS**

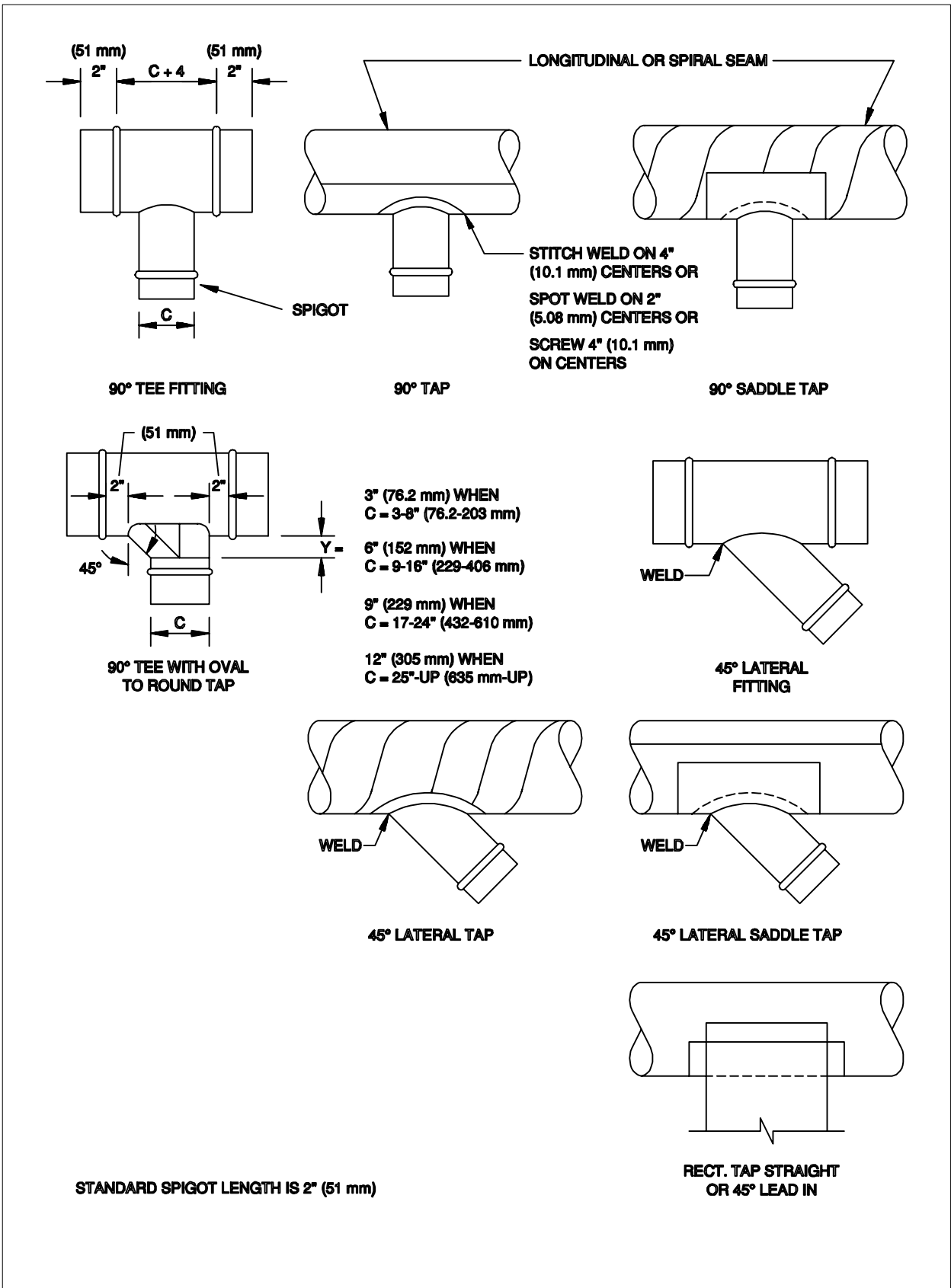
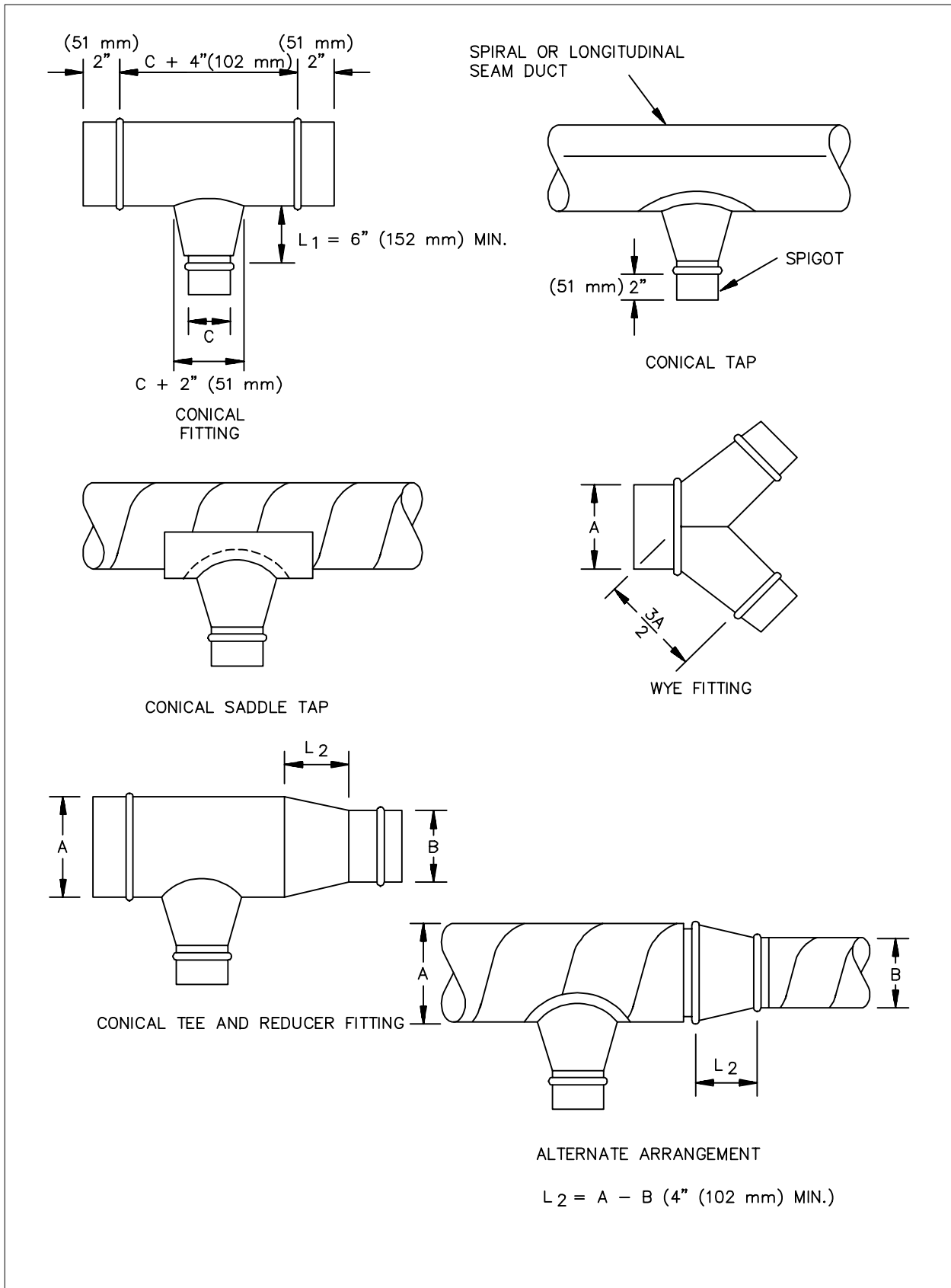


FIGURE 3-4 90° TEES AND LATERALS





**FIGURE 3-5 CONICAL TEES**

### 3.3 FLAT OVAL DUCT CONSTRUCTION STANDARDS

- S3.11 Flat oval duct shall be provided where shown and as shown on the contract drawings.
- S3.12 Minimum duct wall thickness shall be as indicated in Table 3–4.
- S3.13 Reinforcement for flat sides of oval duct shall be of the same size and spacing interval as specified for rectangular duct or shall be provided to limit wall deflection to 3/4" (19 mm) and reinforcement deflection to 1/4" (6.4 mm).
- S3.14 Unless otherwise specified, joints and seams shall be similar to those indicated for round duct.
- S3.15 Fittings shall conform to the thickness schedules in Table 3–4, shall conform to the seam, joint, and connection arrangements permitted for round duct, and shall be reinforced to conform to paragraph 13.
- S3.16 The duct construction shall be capable of withstanding a pressure 50% greater than that of the assigned pressure class without structural failure or permanent deformation.

S3.17 Duct wall deflection at atmospheric pressure, with reinforcements and connections in place, shall not exceed 1/4" (6.4 mm) on widths of 36" (914 mm) or less or 1/2" (13 mm) on greater widths. (See criteria in Section 7)

S3.18 Supports shall conform to those permitted for rectangular duct, with the overall dimensions taken as references.

### 3.4 COMMENTARY

Flat oval duct combines the advantages of round duct and rectangular duct because it may fit in spaces where there is not enough room for round duct, and it can be joined using the techniques of round duct assembly.

Spiral flat oval duct is machine-made from round spiral lockseam duct and is available in varying sizes and aspect ratios. It can also be made with longitudinal seams.

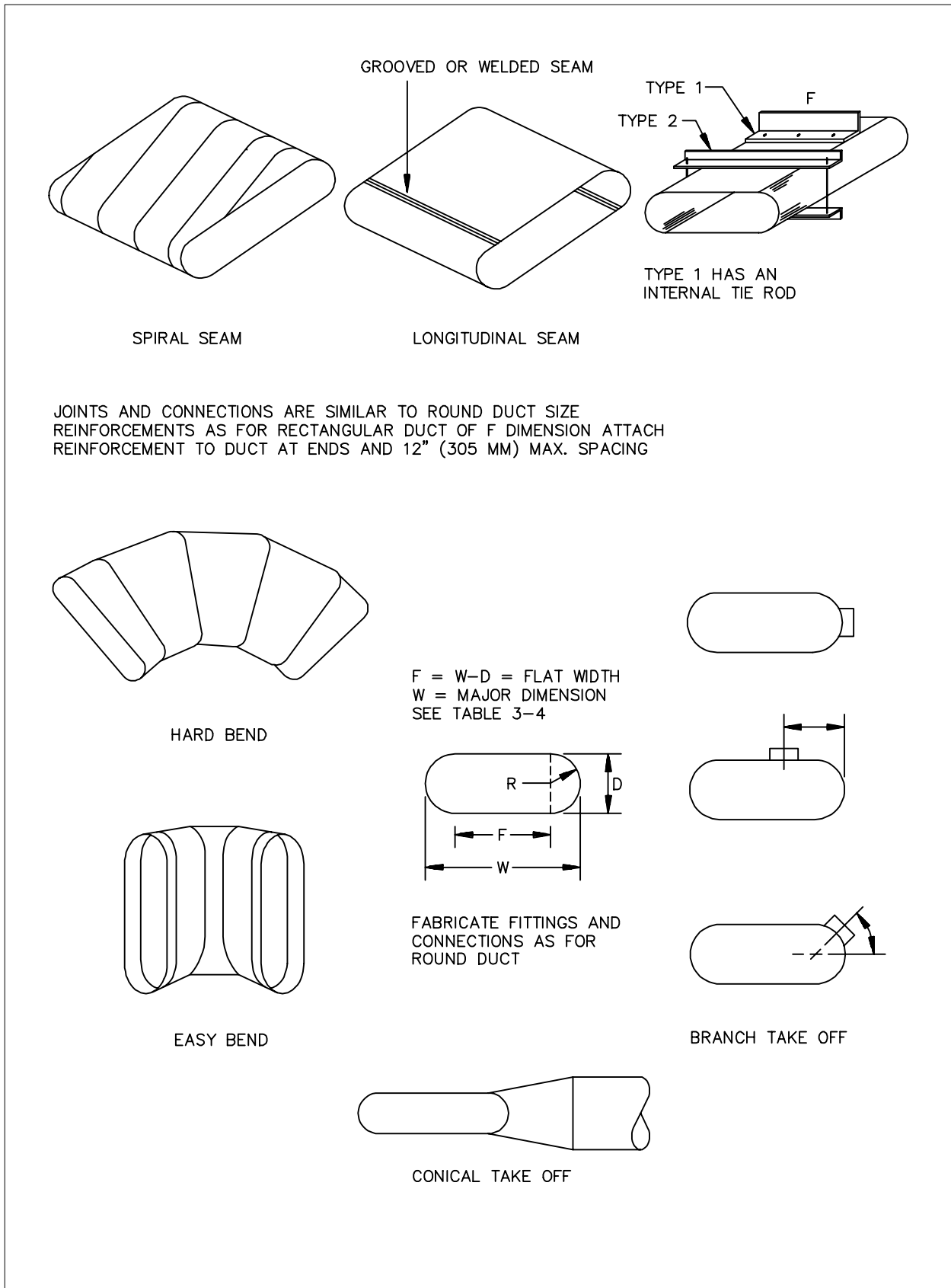
Flat oval duct has considerably less flat surface that is susceptible to vibration and requires less reinforcement than a corresponding size of rectangular duct. The deflection of the flat oval duct under pressure is related to the flat span rather than the overall width of the duct.

Any round duct fitting can have an equivalent fitting made in flat oval. As in rectangular duct, a hard bend elbow denotes the bend in the plane of the duct width, whereas an easy bend elbow denotes the bend in the plane of the duct height. Any branch fitting can be made with the branch tap either round or flat oval. The tap of the flat oval fitting can be located anywhere on the circumference of the fitting body. If the diameter of a round tap is greater than the height of the flat oval body, a transition can be made from flat oval to round, providing an equivalent area at the base of the transition.

Flat oval duct is for positive pressure applications only unless special designs are used.

TABLE 3–4 FLAT OVAL DUCT CONSTRUCTION			
Major Dimension Duct Width	Spiral Seam Duct Gage	Longitudinal Seam Duct Gage	Gage of Fittings
to 24"	24	20	20
25" to 36"	22	20	20
37" to 48"	22	18	18
49" to 60"	20	18	18
61" to 70"	20	16	16
71" and Up	18	16	16





**FIGURE 3-6 FLAT OVAL DUCTS**

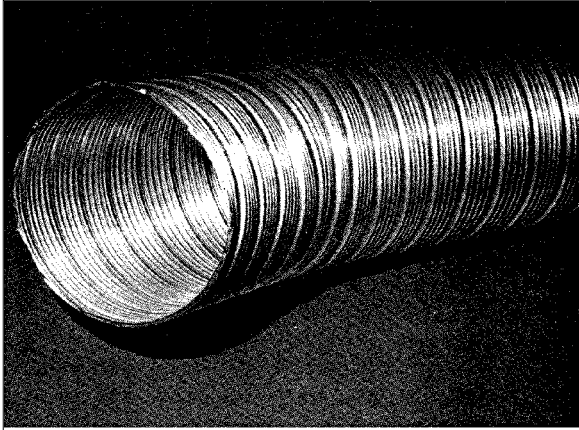
### 3.5 FLEXIBLE DUCT INSTALLATION STANDARDS

- S3.20 Unless otherwise designated, the term “flexible air duct” is used for all ducts classified by UL as either flexible air ducts or flexible connectors.
- S3.21 These provisions apply to ducts used for indoor comfort heating, ventilating, and air conditioning service. They do not apply to service for conveying particulates, corrosive fumes and vapors, high temperature air, corrosive or contaminated atmosphere, etc.
- S3.22 It is presumed that project specifications define the specific materials, pressure limits, velocity limits, friction rate, thermal conductivity, acoustical ratings, and other attributes.
- S3.23 When ducts must conform to NFPA Standard 90A or 90B, flexible ducts must be tested in accordance with Underwriters Laboratory’s *Standard for Factory made Duct Materials*, UL-181, and must be installed in accordance with the conditions of their UL listing. Separate installation limitations for

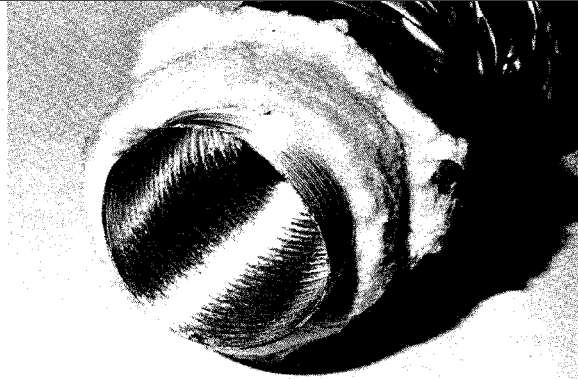
flexible connectors and flexible ducts are identified in NFPA Standard 90A. By UL Standard 181, a flexible connector is defined as a flexible air duct not having certain flame penetration, puncture, and impact tests.

- S3.24 The minimum length of flexible duct should be used.
- S3.25 Bends shall be made with not less than 1 duct diameter centerline radius. Ducts should extend a few inches beyond the end of a sheet metal connection before bending. Ducts should not be compressed.
- S3.26 Ducts shall be located away from hot equipment such as furnaces and steam pipes to avoid excess temperature exposure.
- S3.27 Illustrations of accessories, sleeves, and collars are representative of classes of items. The use of components not precisely identical to these is acceptable.
- S3.28 If the application guidelines dictated by the flexible duct manufacturer are more stringent than the specifications in this manual, those of the manufacturer shall govern.

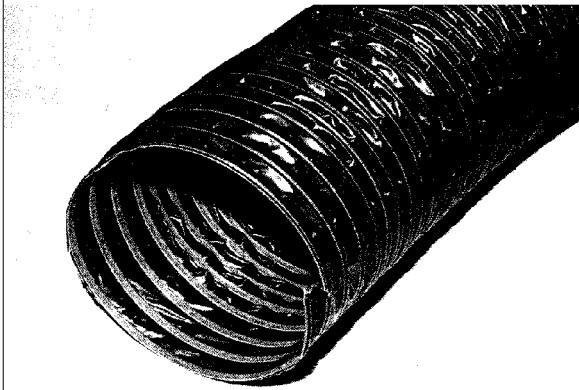




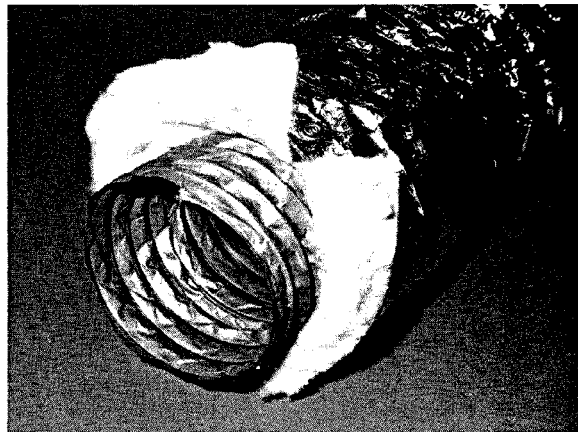
Form "M-UN"—Metallic, uninsulated  
(Figure A)



Form "M-I"—Metallic, insulated  
(Figure B)



Form "NM-UN"—Nonmetallic, uninsulated  
(Figure C)



Form "NM-IL"—Nonmetallic, insulated (lined)  
(Figure D)

**FIGURE 3-7 TYPES OF FLEXIBLE DUCT**

### **3.6 SPECIFICATION FOR JOINING AND ATTACHING FLEXIBLE DUCT**

- S3.29 The provisions for sealing ducts specified on page 1–8 apply. Adhesives shall be chemically compatible with materials they contact.
- S3.30 The ends of ducts shall be trimmed square before installation.
- S3.31 Collars to which flexible duct is attached shall be a minimum of 2" (51 mm) in length. Sleeves used for joining two sections of flexible duct shall be a minimum of 4" (102 mm) in length.
- S3.32 Collars and sleeves shall be inserted into flexible duct a minimum of 1" (25 mm) before fastening.
- S3.33 Metallic flexible duct shall be attached with at least three #8 sheet metal screws equally spaced around the duct's circumference.

Ducts larger than 12" in (305 mm) diameter shall have at least of five #8 sheet metal screws. Screws shall be located at least 1/2" (13 mm) from the duct end.

- S3.34 Non metallic flexible duct shall be secured to the sleeve or collar with a draw band. If the duct collar exceeds 12" (305 mm) in diameter the draw band must be positioned behind a bead on the metal collar.
- S3.35 Insulation and vapor barriers on factory-fabricated ducts shall be fitted over the core connection and shall also be secured with a draw band.

#### **3.6.1 Typical Accessories**

These photographs depict typical accessories but do not represent all available accessories. Coincidence with proprietary features is unintentional. The standard is not intended to limit the selection or the development of accessories for use with flexible duct.



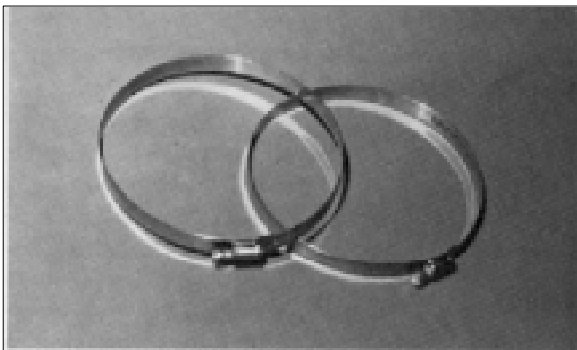


Figure A—Metal Clamp

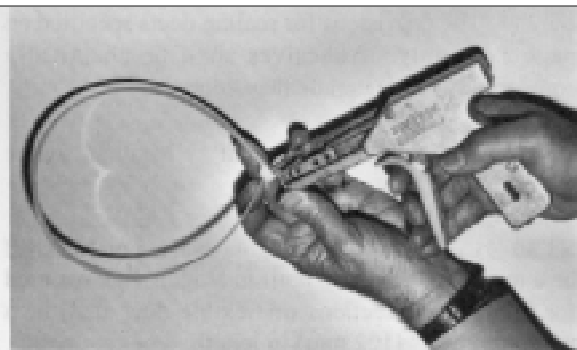


Figure B—Nonmetallic Duct Clamp

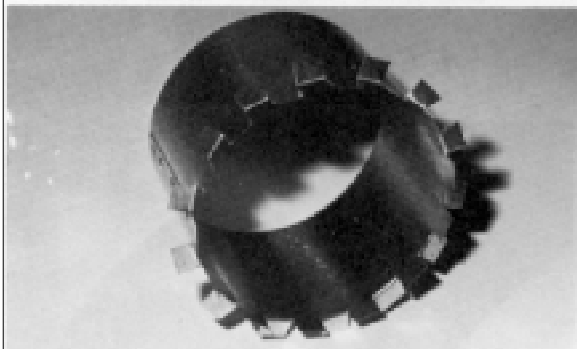


Figure C—Collar (Dovetail)



Figure D—Collar (Spin-in, flared)



Figure E—Collar (Spin-in Straight)



Figure F—Collar (Spin-in Conical)

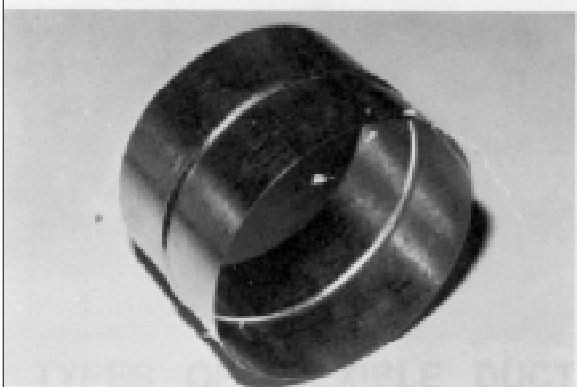


Figure G—4" sleeve



Figure H—Collar in duct min. 2"

FIGURE 3-8

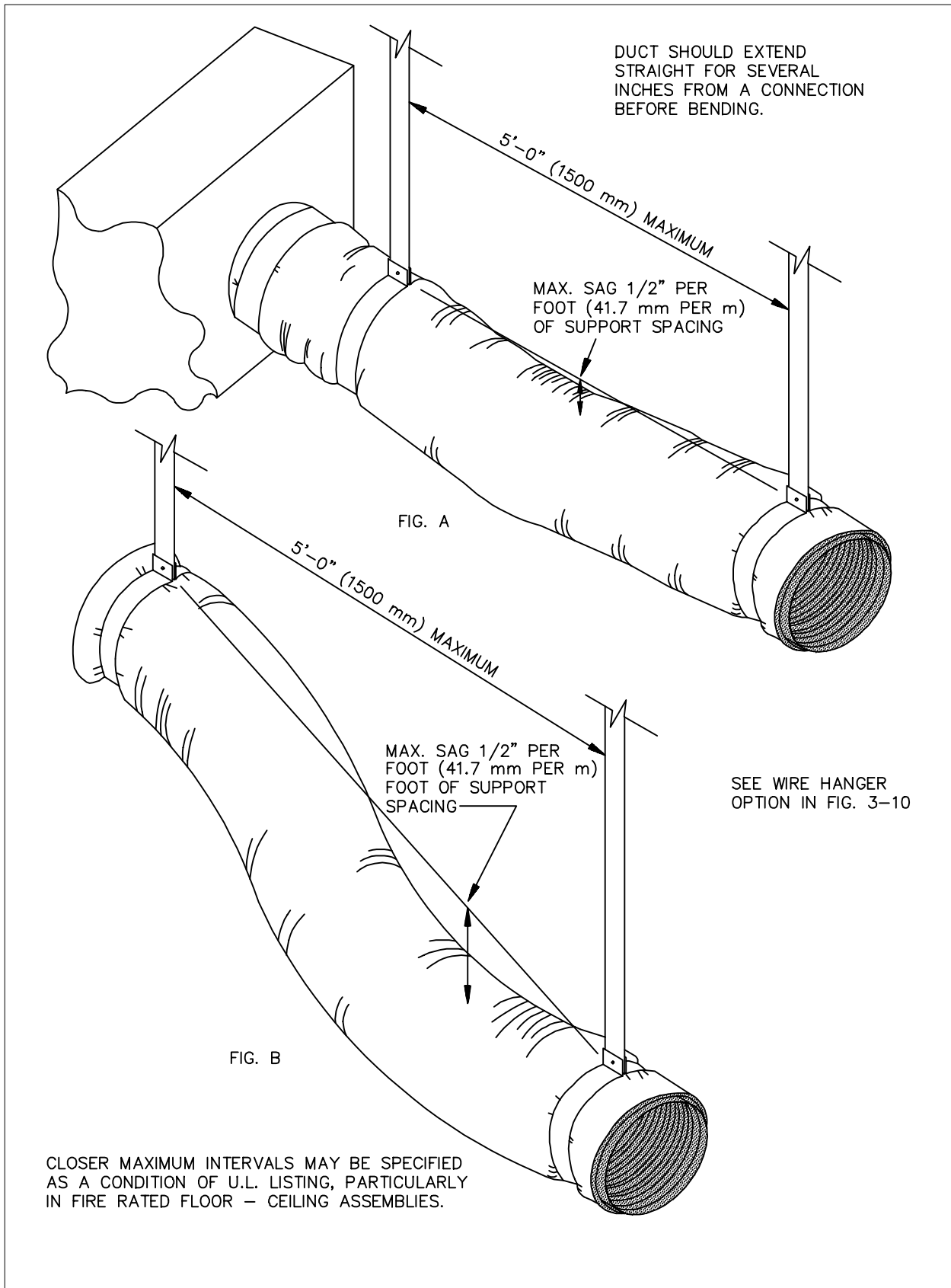
### **3.7 SPECIFICATION FOR SUPPORTING FLEXIBLE DUCT**

- S3.36** Flexible duct shall be supported at the manufacturer's recommended intervals but at least every 10' (3.05 m). Maximum permissible sag is 1/2 inch per foot (41.7 mm/m) of spacing between supports. A connection to another duct or to equipment is considered a support point.
- S3.37** Hanger or saddle material in contact with the flexible duct shall be wide enough so that it does not reduce the internal diameter of the duct when the supported section rests on the hanger or saddle material. In no case will the material contacting the flexible duct be less than 1" wide. Narrower hanger material may be used in conjunction with a sheet metal saddle that meets this specification. This saddle must cover one-half the circumference of the outside diameter of the flexible

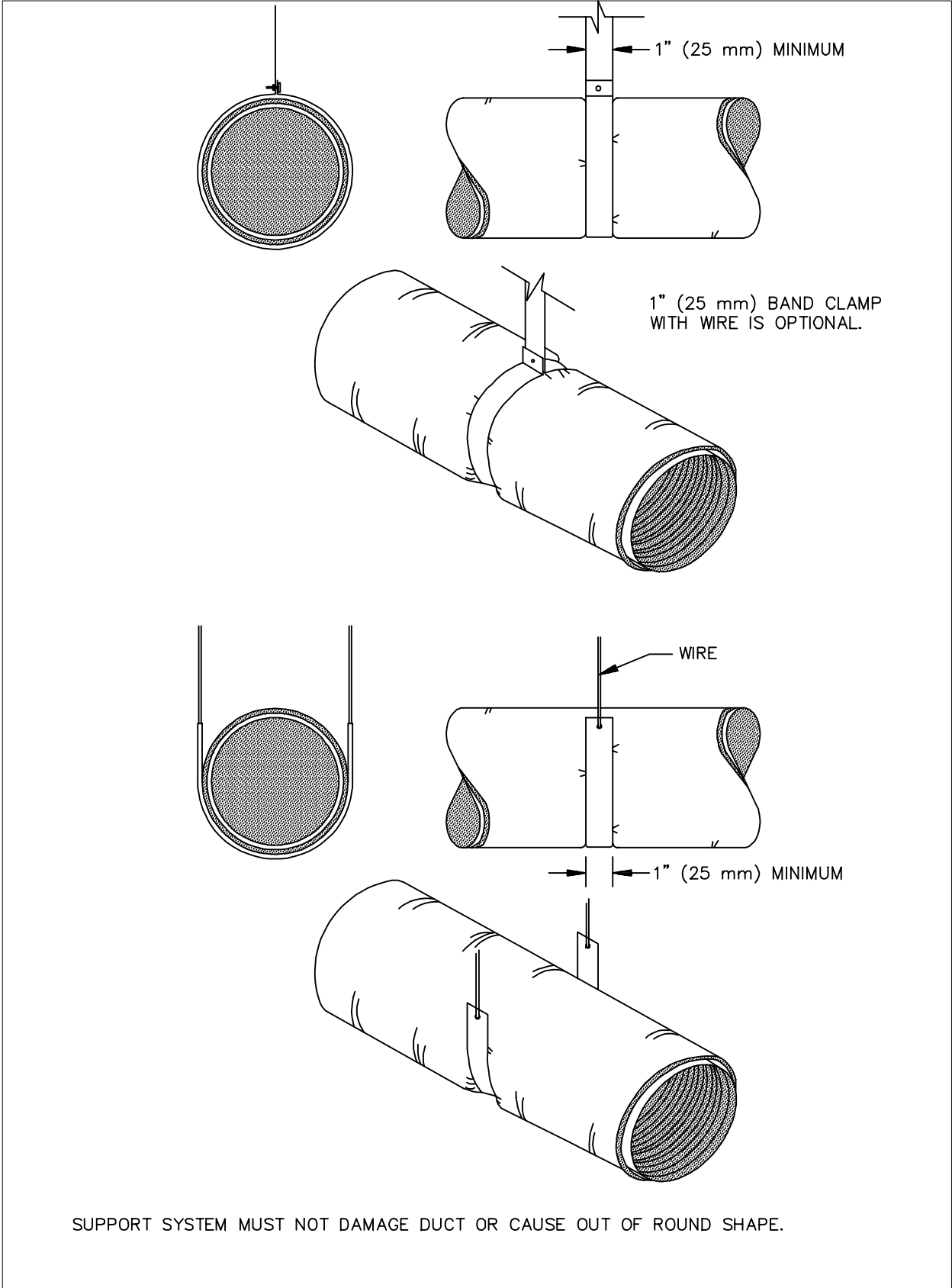
duct and fit neatly around the lower half of the duct's outer circumference.

- S3.38** Factory-installed suspension systems that are integral to the flexible duct are acceptable for hanging when the manufacturer's recommended procedures are followed.
- S3.39** Hangers shall be adequately attached to the building structure.
- S3.40** To avoid tearing the vapor barrier, do not support the entire weight of the flexible duct on any one hanger during installation. Avoid contacting the flexible duct with sharp edges of the hanger material. Damage to the vapor barrier may be repaired with approved tape. If the internal core is penetrated, replace the flexible duct or treat the tear as a connection.
- S3.41** Terminal devices connected by flexible duct shall be supported independently of the flexible duct.





**FIGURE 3-9 FLEXIBLE DUCT SUPPORTS**



**FIGURE 3-10 FLEXIBLE DUCT SUPPORTS**

### 3.8 COMMENTARY

Flexible air ducts have rectangular UL labels attached every 10' (3.05 m); flexible connectors have round labels every 10' (3.05 m). UL, NFPA, and most codes make distinctions between these two products in their limits of application. Connectors are more restricted and are currently limited to 14" (4.27 m) of installed length. Regulations governing these forms of duct should be checked especially for floor penetrations, ceiling air plenums, and fire rated floor-ceiling or roof-ceiling assemblies.

These installation provisions were prepared for round ducts; however, they may also be usable for flexible flat oval ducts.

Some types of flexible duct have received listings as components of fan unit or air terminal unit systems, and they may be governed independently by the conditions of those listings.

The designer should consult the following references when considering the use of flexible ducts:

*UL Standard 181*  
*NFPA Standards 90A and 90B*  
*UL Gas and Oil Equipment Directory*  
*UL Fire Resistance Directory*  
*ASTM Standard E96-66, Water Vapor*  
*Transmission of Materials in Sheet Form,*  
*American Society of Testing Materials*  
*ASTM Standard E477-73, Duct Liner Materials and*

*Prefabricated Silencer for Acoustical*  
*Performance, American Society of Testing*  
*Materials*  
*ADC Flexible Air Duct Test Code FD-72, R1, Air*  
*Diffusion Council (covering thermal,*  
*acoustical and friction ratings)*  
*TIMA Test Method AHS 151-76T, Dynamic Thermal*  
*Performance of Air Handling Systems,*  
*Thermal Insulation Manufacturers Association*

The most common metallic duct is aluminum; however, galvanized steel and stainless steel varieties are available. Nonmetal ducts are available in a wide variety of materials and nominal shape-retaining reinforcements. Machines for producing the ducts are available from several suppliers.

Flexible ducts may come to the installer in compressed form in a variety of lengths. Their length can be determined by a measurement taken with a 25 lb. (11.3 Kg) axial load used to extend the duct. Repeated flexure of metallic ducts will probably result in fatigue stress cracking. Sections S3.23 and S3.24 contain statements that ducts "should" have minimum length and "should not" be compressed. "Should" is used instead of "must" in these instances because some discretionary judgement is necessary. Compressing duct increases first cost and friction loss. The minimum length refers to the practical route between connection points but not to the degree that the material is overstressed or to the degree that all available stretch is removed. SMACNA discourages the practice of providing excess length in case of future building modifications.

**3.9 UNDERGROUND DUCT  
CONSTRUCTION STANDARDS**

S3.42 This installation standard is applicable to ducts placed in or beneath concrete floors or in areas free from vehicle traffic.

S3.43 Materials shall conform to the project specifications.

S3.44 Ducts shall be located as shown on the contract drawings.

S3.45 The duct contractor shall provide:

- a. proper assembly of the duct, including connections and sealing as prescribed;

- b. verification of the undamaged condition of the duct before enclosure with fill or encasement;

- c. anchorage for the duct, if any;

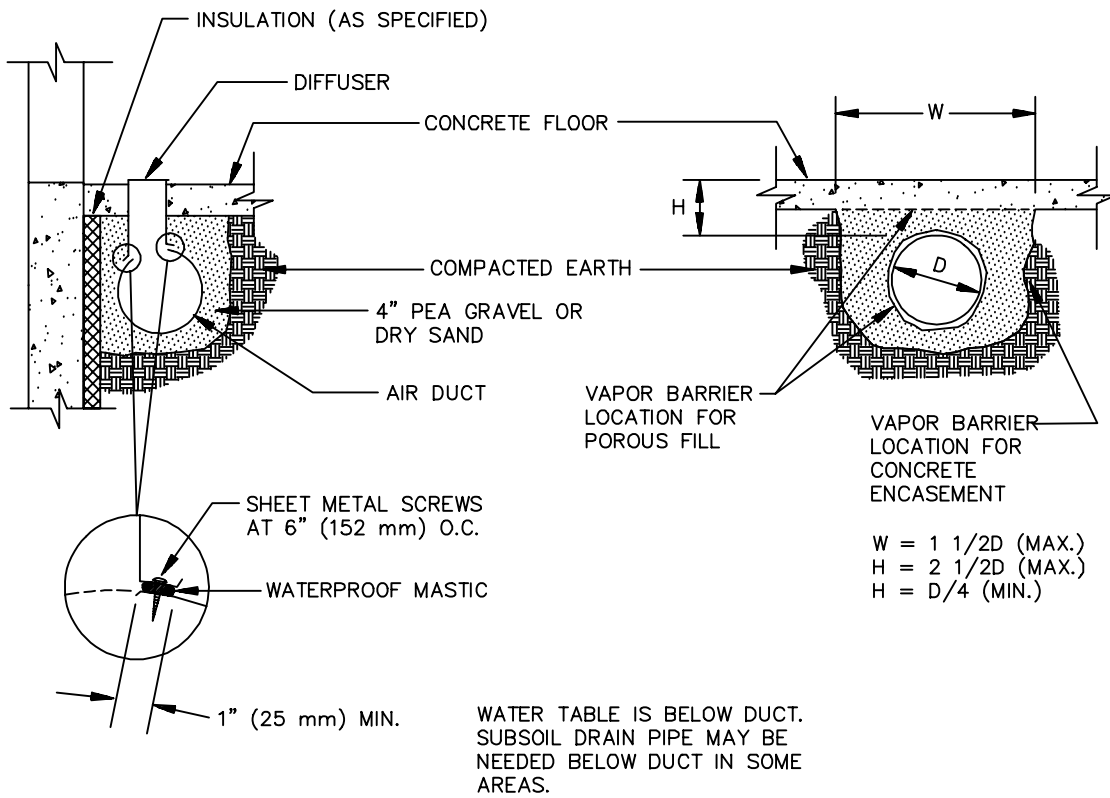
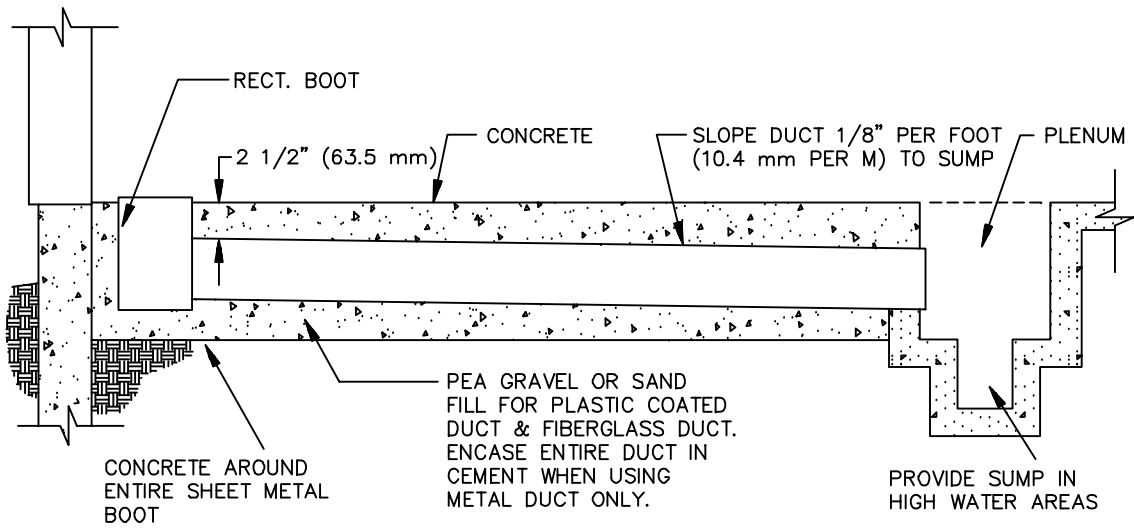
- d. notices of requirements for successive placements of fill, if any;

- e. precautions against use of powered vibrators in placing concrete on or around ducts;

- f. witnessing of backfill or encasement.; and

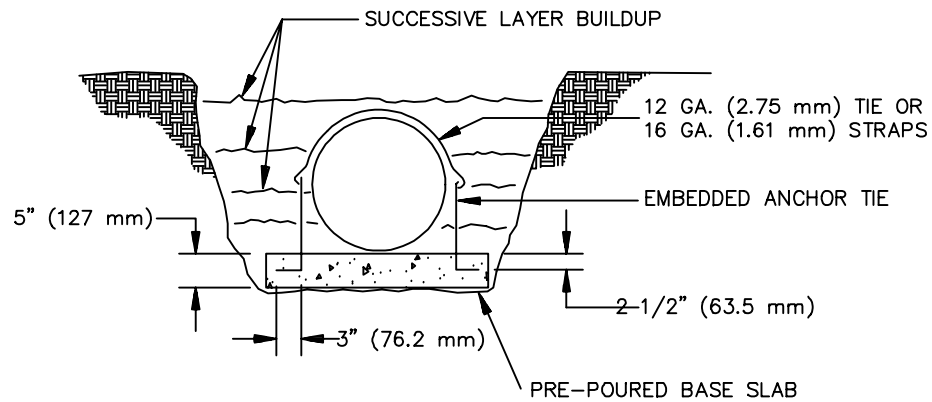
- g. temporary protection of openings in ducts.





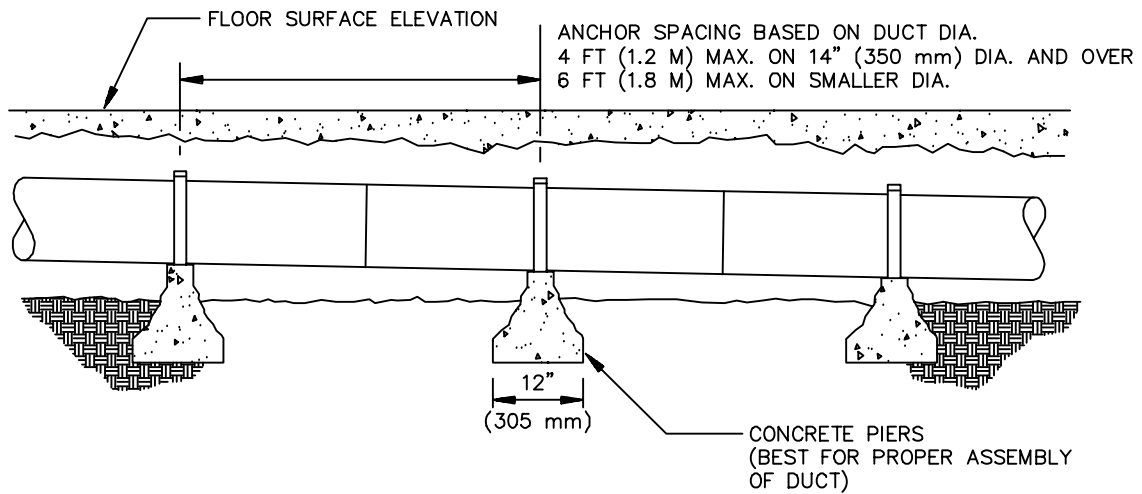
THIS ILLUSTRATION IS A DESIGN GUIDE.

**FIGURE 3-11 TYPICAL UNDERSLAB DUCT**



**PRECAUTION!**

THREE STAGE PLACEMENT OF CONCRETE IS ADVISABLE TO AVOID DAMAGE AND REDUCE DANGER OF FLOTATION. CONCRETE SHOULD NEVER BE DUMPED ON THE DUCT; COVER SHOULD BE MOVED Laterally OVER THE DUCT.



TYPICAL ANCHORAGE OF DUCTS TO BE ENCASED IN CONCRETE

THIS ILLUSTRATION IS A DESIGN GUIDE

**FIGURE 3-12 ANCHORS FOR DUCT ENCASEMENT**

### 3.10 COMMENTARY

Materials commonly used for this application include galvanized steel, vinyl chloride-coated steel, and stainless steel. Glass fiber-reinforced resin, asbestos, cement, tile, and other nonmetal ducts are also used. Ducts are not generally deemed to be or required to be waterproof. Ducts should always be above the water table. The designer should carefully evaluate the exposure to moisture or ground water and require vapor barriers, sumps, porous fill, and subsoil drainage pipe as necessary. CSI Specification 02410 provides useful references for subsoil drainage. The top of drain tile should be below the bottom of the duct.

Corrosion resistance is an important characteristic of both in-slab and under-slab ducts. The Portland Cement Association has guidelines for protection of metals in contact with concrete. ASHRAE's *Systems Handbook* addresses the corrosion of materials in soil environments.

The strength of round ducts makes them the preferred shape for underground application. Round duct wall thicknesses in these standards are generally acceptable for below-grade installation. Ribbed or corrugated styles have additional crushing strength. Temporary internal supports can be appropriate at times. Ducts should have continuous bedding.

Ducts to be embedded in concrete are subject to floating and they must be restrained. The first pour should be the base support for the duct and anchors should be included. Twelve gage (2.68 mm) wire, 16 gage (2.75 mm) straps, or other appropriate ties should be specified for hold-down.

Ducts buried in sand or pea gravel are not known to float. Porous fill and earth fill should not be dumped directly on ducts in trenches. Fill should be firmly but not heavily tamped under and around the duct. The first foot of fill should be shovelled on top of the duct. Fill should not contain stones larger than 2" (51 mm).

**CHAPTER 4**

**HANGERS AND SUPPORTS**



## 4.1 HANGING AND SUPPORTING SYSTEMS

### 4.1.1 S4.0 Requirements

S4.1 Rigid round, rectangular, and flat oval metal ducts shall be installed with support systems indicated in Tables 4-1 to 4-3 and Figures 4-1 to 4-8. They shall be installed as required to maintain alignment. Horizontal ducts shall have a support within two feet (0.61 m) of each elbow and within four feet of each branch intersection. (Upper attachments to structures shall have an allowable load not more than one-fourth of the failure (proof test) load but are not limited to the specific methods shown here.

## 4.2 COMMENTARY

The duct hanging system is composed of three elements, the upper attachment to the building, the hanger itself, and the lower attachment to the duct. The manufacturer's load ratings and application data should be followed for all devices and materials.

### 4.2.1 Concrete Inserts

Concrete inserts must be installed before the concrete is poured. They are used primarily where the duct layout is simple and there is enough lead time to determine accurate placement. The simplest insert is a piece of bent flat bar. Manufactured inserts are available individually or in long lengths; the latter are generally used where many hangers will be installed in a small area, or where individual inserts cannot be precisely spotted at the time of placing the concrete.

### 4.2.2 Concrete Fasteners

Concrete fasteners are installed after the concrete has been poured and the forms have been removed. Their application allows greater flexibility than concrete inserts because their exact location can be determined after all interferences between the various trades' work have been coordinated.

There are several variations of powder-actuated fasteners, which are placed by an explosive charge. These fasteners should not be used in certain lightweight aggregate concretes, or in slabs less than 4 inches (107 mm) thick.

Expanding concrete anchors should be made of steel. Nonferrous anchors tend to creep with vibration. Holes for expanding fasteners are drilled either by a carbide bit or by teeth on the fastener itself. The ex-

pansion shield is "set" by driving it into the hole and expanding it with the conical plug. The expansion nail is a lighter duty fastener. Powder-actuated fasteners are popular for smaller ducts.

### 4.2.3 Structural Steel Fasteners

Several types of beam clamps are available. Some should be used with a retaining clip. Powder-actuated fasteners may also be used on steel. Welded studs may be installed using special welding equipment. Certain manufactured devices that are driven onto the flange will support either a rod or a band type hanger.

### 4.2.4 Cellular Metal Deck

Many office buildings are now built with a cellular steel deck that carries the electrical and communication systems and is covered with concrete fill. The wiring in the cells and the concrete above the deck preclude the use of fasteners, such as sheet metal screws, that must pierce the deck. Some manufacturers of this type of deck now offer an integral hanging system. In cases where there are no integral hangers at the required hanging points, install the rod or strap hangers before concrete placement, or install welded studs after concrete placement. In all cases, the upper attachments to the decking should be in place before the application of fireproofing materials.

### 4.2.5 Upper Attachment

Upper attachment methods should be selected with care. A safety factor of 4 or 5 (based on ultimate failure) is practical unless it can be shown that few unpredictable variables exist and that quality control is disciplined.

### 4.2.6 Hangers

Hangers are usually strips of galvanized steel or round steel rod. For hangers made of round steel rod, use uncoated hot-rolled steel except where the installation is in a corrosive atmosphere. Where corrosion is a problem, hanger rods should be electro-galvanized, all-thread rods or hot-dipped galvanized rods with their threads painted after installation.

### 4.2.7 Lower Attachment

The lower attachment is the connection between the hanger and the duct section. Fasteners that penetrate the duct may be sheet metal screws, blind rivets, or self-tapping metal screws.

### 4.2.8 Hanger Spacing

A straight duct section is actually a box section beam of considerable strength. As in many structures, the



joint is the weakest point, so that is where the support is. Duct joints, however, are normally strong enough to permit maximum hanger spacing at 8 (2.44) or 10 foot (3.05 m) intervals, even with one or two intermediate joints. Very wide ducts require closer hanger spacing in order to limit individual hanger loads to safe values. They also require intermediate hangers to prevent the upper portion of the duct from sagging.

#### 4.2.9 Trapeze Selection

Trapeze members must be selected with careful attention to the position of the loads on the horizontal bar. Load analysis is discussed in the notes for Figures 4- 4 and 4- 5.

#### 4.2.10 Riser Supports

Rectangular risers should be supported by angles or channels secured to the sides of the duct with welds, bolts, sheet metal screws, or blind rivets. Here again, for ducts over 30 inches (762 mm) wide, caution must be used in fastening the support to the sheet because the expansion of the sheet due to internal pressures will tend to tear the fasteners out. Riser support intervals should be at one or two story intervals, *i.e.*, 12 feet (3.66 m) to 24 feet (7.32 m), as suitable for loading. Another method is to support the riser by its reinforcing. The load can be transferred to the riser support by angles or by rods.

#### 4.2.11 Hanging System Selection

The selection of a hanging system should not be taken lightly not only because it involves a significant por-

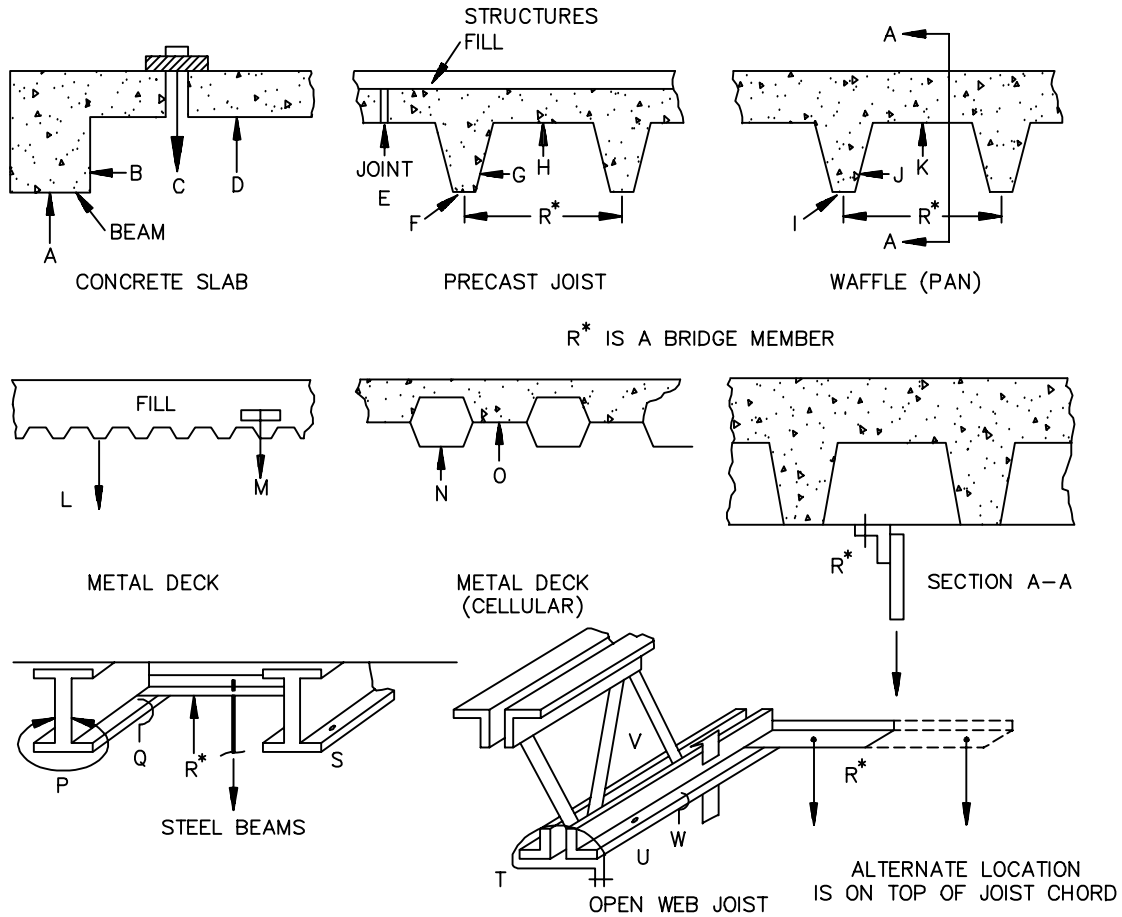
tion of the erection labor, but also because an inadequate hanging system can be disastrous. In any multiple hanger system, the failure of one hanger transfers that its load to adjacent hangers. If one of these fails, an even greater load is transferred to the next. The result is a cascading failure in which an entire run of duct might fall.

There are many hanger alternatives, especially in the upper attachments. Besides structural adequacy, the contractor's choice of hanging system must also take into account the particulars of the building structure, the skills of the workmen, the availability of tooling, and the recommendations of the fastener manufacturer. Because of these variables, it is suggested that the hanging system be the contractor's choice, subject to the approval of the mechanical engineer.

Figures in this manual show typical hanger constructions. When special conditions require high safety factors or the ability to withstand vibrations, individual concrete or steel attachments can be specified to be capable of supporting test loads equal to the minimum rating listed when they are tested in accordance with methods described by Underwriters' Laboratory, Inc., for Pipe Hanger Equipment, Bulletin UL 203, latest edition. *See* pages 3-19 to 3-21 for support of flexible duct.

The supports discussed here are not seismically qualified. Refer to SMACNA's *Seismic Restraint Manual* for additional reinforcement required by earthquake hazards.

ALPHABET LETTER ONLY INDICATES AN ALTERNATIVE LOCATION OR SITUATION THAT MAY BE PERMITTED OR RESTRICTED BY DESIGN DOCUMENTS. ILLUSTRATIONS OF CONCRETE AND STEEL DO NOT PRECLUDE ATTACHMENTS TO WOOD.



CONVENTIONAL HANGER METHODS AND DEVICES

CONCRETE INSERTS, SINGLE  
 CONCRETE INSERTS, SLOTTED  
 POWDER ACTUATED FASTENERS  
 "C" CLAMPS  
 WELDED STUDS  
 FRICTION CLAMPS  
 STRAP  
 ROD, THREADED, UNTHREADED  
 BRIDGE  
 BEAM CLAMP, HALF FLANGE  
 BEAM CLAMP, FULL FLANGE  
 EYE BOLT (OR ROD)  
 TOGGLE BOLTS

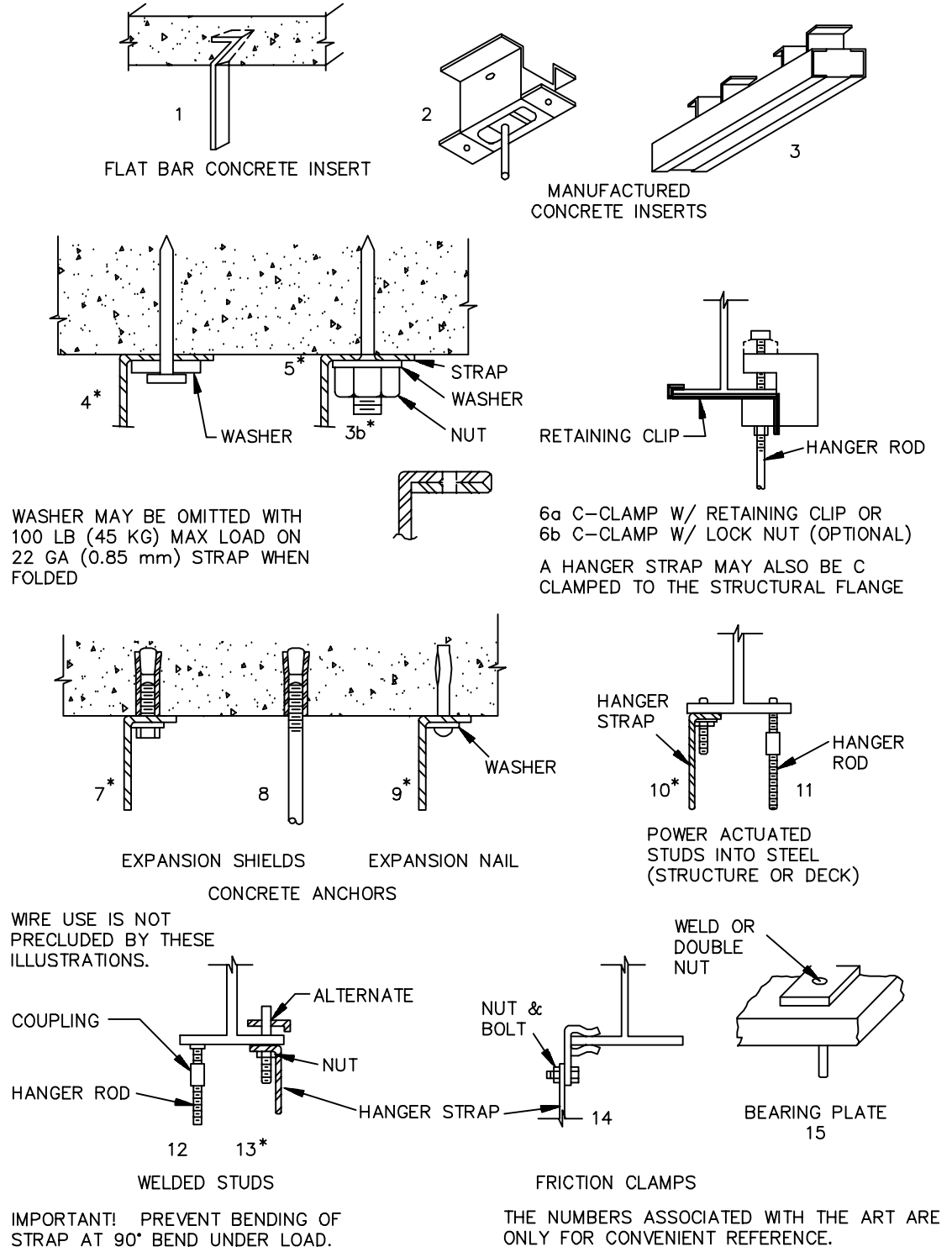
DRILLED HOLE AND BOLT  
 STANCHION  
 SELF TAPPING SCREWS PLUS STRAPS  
 DROP IN EXPANSION ANCHORS  
 KNEE BRACKET FROM WALL  
 LAG SCREW EXPANSION ANCHOR  
 NAILED PIN FASTENERS  
 RIVETS  
 SWAY BRACING  
 "FISH" PLATE OR WASHER AND ROD  
 HOOK OR LOOP  
 VIBRATION ISOLATOR  
 WIRE

SELECT HANGERS FOR TYPE OF STRUCTURE AND SUSPENSION.  
 DO NOT EXCEED ALLOWABLE OR SPECIFIED LOAD LIMITS.

ALLOWABLE LOAD ON UPPER ATTACHMENT IS 1/4 OF FAILURE LOAD

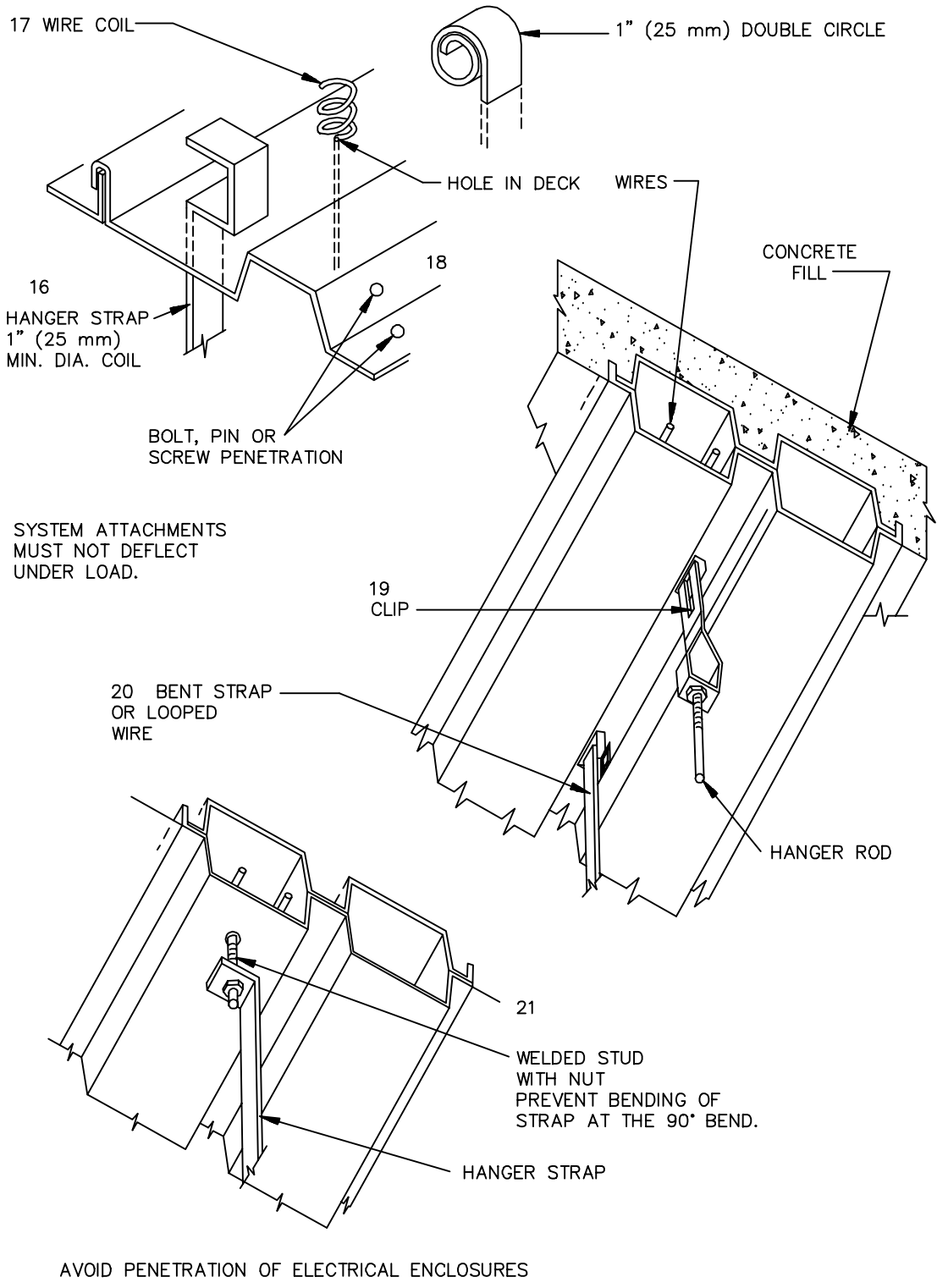
FIGURE 4-1 HANGER ATTACHMENTS TO STRUCTURES

UNLESS OTHERWISE APPROVED ALLOWABLE LOAD ON UPPER ATTACHMENT IS 1/4 OF FAILURE LOAD. UPPER ATTACHMENTS MAY BE TO WOOD STRUCTURES ALSO.



**FIGURE 4-2 UPPER ATTACHMENT DEVICES — TYPICAL**

UNLESS OTHERWISE APPROVED ALLOWABLE LOAD ON UPPER ATTACHMENT IS 1/4 OF FAILURE LOAD.



**FIGURE 4-3 UPPER ATTACHMENTS — TYPICAL**

**TABLE 4-1  
RECTANGULAR DUCT HANGERS  
MINIMUM SIZE**

MAXIMUM HALF OF DUCT PERIMETER	Pair at 10 ft Spacing		Pair at 8 ft Spacing		Pair at 5 ft Spacing		Pair at 4 ft Spacing	
	STRAP	WIRE/ROD	STRAP	WIRE/ROD	STRAP	WIRE/ROD	STRAP	WIRE/ROD
P/2 = 30"	1" x 22 ga.	10 ga. (.135")	1" x 22 ga.	10 ga. (.135")	1" x 22 ga.	12 ga. (.106")	1" x 22 ga.	12 ga. (.106")
P/2 = 72"	1" x 18 ga.	3/8"	1" x 20 ga.	1/4"	1" x 22 ga.	1/4"	1" x 22 ga.	1/4"
P/2 = 96"	1" x 16 ga.	3/8"	1" x 18 ga.	3/8"	1" x 20 ga.	3/8"	1" x 22 ga.	1/4"
P/2 = 120"	1 1/2" x 16 ga.	1/2"	1" x 16 ga.	3/8"	1" x 18 ga.	3/8"	1" x 20 ga.	1/4"
P/2 = 168"	1 1/2" x 16 ga.	1/2"	1 1/2" x 16 ga.	1/2"	1" x 16 ga.	3/8"	1" x 18 ga.	3/8"
P/2 = 192"	Not Given	1/2"	1 1/2" x 16 ga.	1/2"	1" x 16 ga.	3/8"	1" x 16 ga.	3/8"
P/2 = 193" up	SPECIAL ANALYSIS REQUIRED							
WHEN STRAPS ARE LAP JOINED USE THESE MINIMUM FASTENERS:  1" x 18, 20, 22 ga. - two #10 or one 1/4" bolt 1" x 16 ga. - two 1/4" dia. 1 1/2" x 16 ga. - two 3/8" dia. Place fasteners in series, not side by side.				SINGLE HANGER MAXIMUM ALLOWABLE LOAD				
				STRAP			WIRE OR ROD (Dia.)	
				1" x 22 ga.-260 lbs. 1" x 20 ga.-320 lbs. 1" x 18 ga.-420 lbs. 1" x 16 ga.-700 lbs. 1 1/2" x 16 ga.-1100 lbs.			0.106"-80 lbs. 0.135"- 120 lbs. 0.162"-160 lbs. 1/4"-270 lbs. 3/8"- 680 lbs. 1/2"-1250 lbs. 5/8"-2000 lbs. 3/4"-3000 lbs.	

**NOTE:**

- Dimensions other than gage are in inches.
- Tables allows for duct weight, 1 lb./sf insulation weight and normal reinforcement and trapeze weight, but no external loads!
- For custom design of hangers, designers my consult SMACNA's *Rectangular Industrial Duct Standards*, the *AISI Cold Formed Steel Design Manual* and the *AISC Steel Contraction Manual*.
- Straps are galvanized steel; other materials are uncoated steel.
- Allowable loads for P/2 assume that ducts are 16gs. maximum, excepts that when maximum duct dimension (w) is over 60" then p/2 maximum is 1.25 w.
- For upper attachments see Fig. 4- 2.
- For upper attachments see Fig. 4- 2.
- For trapeze size see Table 4- 3 and Fig. 4- 5.
- 12, 10, or 8 ga. wire is steel of black annealed, bright basic, or galvanized type.



**TABLE 4- 1M  
RECTANGULAR DUCT HANGERS  
MINIMUM SIZE**

MAXIMUM HALF OF DUCT PERIMETER	Pair at 3 m Spacing		Pair at 2.4 m Spacing		Pair at 1.5 m Spacing		Pair at 1.2 m Spacing	
	STRAP	WIRE/ROD	STRAP	WIRE/ROD	STRAP	WIRE/ROD	STRAP	WIRE/ROD
P/2 = 760	25.4 x 0.85	3.4	25.4 x 0.85	3.4	25.4 x 0.85	2.7	25.4 x 0.85	2.7
P/2 = 1830	25.4 x 1.31	9.5	25.4 x 1.00	6.4	25.4 x 0.85	6.4	25.4 x 0.85	6.4
P/2 = 2440	25.4 x 1.61	9.5	25.4 x 1.31	9.5	25.4 x 1.00	9.5	25.4 x 0.85	6.4
P/2 = 3050	38.1 x 1.61	12.7	25.4 x 1.61	9.5	25.4 x 1.31	9.5	25.4 x 1.00	6.4
P/2 = 4270	38.1 x 1.61	12.7	38.1 x 1.61	12.7	25.4 x 1.61	9.5	25.4 x 1.31	9.5
P/2 = 4880	Not Given	12.7	38.1 x 1.61	12.7	25.4 x 1.61	9.5	25.4 x 1.61	9.5
P/2 = More	SPECIAL ANALYSIS REQUIRED							
WHEN STRAPS ARE LAP JOINED USE THESE MINIMUM FASTENERS:  25.4 x 1.31, 1.00, 0.85 mm - one 6.4 bolt 25.4 x 1.61 mm - two 6.4 bolts 38.1 x 1.61 mm - two 9.5 bolts Two bolts must be in series, not side by side.				SINGLE HANGER MAXIMUM ALLOWABLE LOAD				
				STRAP		WIRE OR ROD (Dia.)		
				25.4 x 0.85 - 118 Kg 25.4 x 1.00 - 145 Kg 25.4 x 1.31 - 191 Kg 25.4 x 1.61 - 318 Kg 38.1 x 1.61 - 500 Kg		2.7 - 36 Kg 3.4 - 54 Kg 4.1 - 73 Kg 6.4 - 122 Kg 9.5 - 308 Kg 12.7 - 567 Kg 15.9 - 907 Kg 19.1 - 1360 Kg		

**NOTE:**

- Dimensions other than hanger spacing are in millimeters.
- Table allow for duct weight, 4.89 kg/m<sup>2</sup> insulation weight and normal reinforcement and trapeze weigh, but no external loads!
- For custom design of hangers, designers my consult SMACNA's *Rectangular Industrial Duct Standards*, the *AISI Cold Formed Steel Design Manual* and the *AISC Steel Construction Manual*.
- Straps are galvanized steel; other materials are uncoated steel.
- Allowable loads for P/2 assume that ducts are 1.61 mm maximum, excepts that when maximum duct dimension (w) is over 1520 mm then p/2 maximum is 1.25w.
- For upper attachments see Fig. 4- 2.
- For upper attachments see Fig. 4- 2.
- For trapeze size see Table 4-3 and Fig. 4- 5.
- 2.7, 3.4, and 4.1 mm wire is steel of black annealed, bright basic, or galvanized type.



**TABLE 4-2  
MINIMUM HANGER SIZES FOR ROUND DUCT**

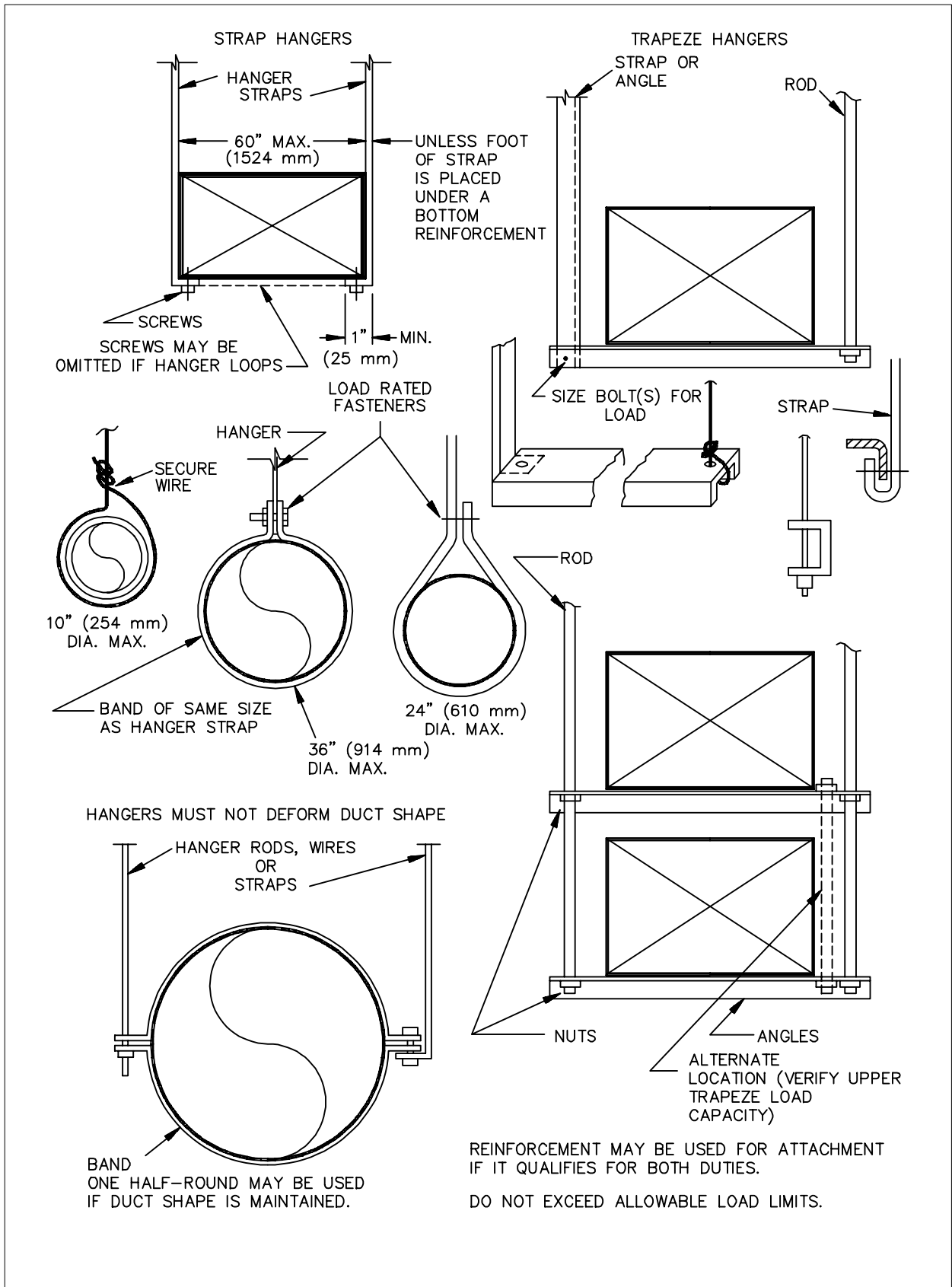
Dia.	Maximum Spacing	Wire Dia.	Rod	Strap
10" dn 250 mm dn	12' 3.7 m	One 12 ga. One 2.75 mm	1/4" 6.4 mm	1" x 22 ga. 25.4 x 0.85 mm
11-18" 460 mm	12' 3.7 m	Two 12 ga. or One 8 ga. One 4.27 mm	1/4" 6.4 mm	1" x 22 ga. 25.4 x 0.85 mm
19-24" 610 mm	12' 3.7 m	Two 10 ga. Two 3.51 mm	1/4" 6.4 mm	1" x 22 ga. 25.4 x 0.85 mm
25-36" 900 mm	12' 3.7 m	Two 8 ga. Two 2.7 mm	3/8" 9.5 mm	1" x 20 ga. 25.4 x 1.00 mm
37- 50" 1270 mm	12' 3.7 m	—————→	Two 3/8" Two 9.5 mm	Two 1" x 20 ga. (2) 25.4 x 1.00 mm
51- 60" 1520 mm	12' 3.7 m	—————→	Two 3/8" Two 9.5 mm	Two 1" x 18 ga. (2) 25.4 x 1.31 mm
61-84" 2130 mm	12' 3.7 m	—————→	Two 3/8" Two 9.5 mm	Two 1" x 16 ga. (2) 25.4 x 1.61 mm

**NOTE:**

1. Straps are galvanized steel; rods are uncoated or galvanized steel; wire is black annealed, bright basic, or galvanized. All are alternatives.
2. See Fig. 4- 4 for lower support.
3. See Figs. 4- 2 and 4- 3 for upper attachments.
4. Table allows for conventional wall thickness, and joint systems plus one lb/sf (4.89 kg/m<sup>2</sup>) insulation weight. If heavier ducts are to be installed, adjust hanger sizes to be within their load limits; see allowable loads with Table 4- 1. Hanger spacing may be adjusted by special analysis.
5. Designers: For industrial grade supports, including saddles, single load trapeze lads, longer pans and flange joint loads, see SMACNA's *Round Industrial Duct Construction Standards*.
6. See Figs. 3- 9 and 3- 10 for flexible duct supports.







**FIGURE 4-4 LOWER HANGER ATTACHMENTS**

**TABLE 4-3  
ALLOWABLE LOADS FOR  
TRAPEZE BARS**

		ANGLES											CHANNELS			
		1 x 1 x 16 ga.	1 x 1 x 1/8"	1-1/2 x 1-1/2 x 16 ga.	1-1/2 x 1-1/2 x 1/8"	1-1/2 x 1-1/2 x 3/16"	1-1/2 x 1-1/2 x 1/4" or 2 x 2 x 1/8"	2 x 2 x 3/16"	2 x 2 x 1/4"	2-1/2 x 2-1/2 x 3/16"	2-1/2 x 2-1/2 x 1/4"	3 x 3 x 1/4"	4 x 4 x 1/4"	3 x 4.1 LBS.	3 x 6.0 LBS.	4 x 5.4 LBS.
SECTION PROPERTIES	Length															
		18"	80	150	180	350	510	650	940	1230	1500	1960				
	24"	75	150	180	350	510	650	940	1230	1500	1960					
	30"	70	150	180	350	510	650	940	1230	1500	1960					
	36"	60	130	160	340	500	620	920	1200	1480	1940					
	42"	40	110	140	320	480	610	900	1190	1470	1930					
	48"		80	110	290	450	580	870	1160	1440	1900					
	54"				250	400	540	840	1120	1400	1860					
	60"				190	350	490	780	1060	1340	1800					
	66"				100	270	400	700	980	1260	1720					
	72"					190	320	620	900	1180	1640					
	78"						210	500	790	1070	1530					
	84"							380	660	940	1400	2310	4680	4650	5980	9080
	96"								320	600	1060	1970	4340	3870	4950	8740
	108"											2510	7240	5760	7780	15650
	120"											1220	5950	4120	5930	13200
	132"												4350	2540	3920	10820
	144"												2420		2000	8330
$I_x$		.012	.022	.041	.078	.110	.139/ .190	.272	.348	.547	.703	1.24	3.04	1.66	2.07	3.85
A		.12	.234	.180	.359	.527	.688/ .484	.715	.938	.902	1.19	1.44	1.94	1.21	1.76	1.59
Z		.016	.031	.037	.072	.104	.130/ .130	.190	.247	.303	.394	0.577	1.05	1.10	1.38	1.93
LB/LF		.44	.80	.66	1.23	1.80	2.34/ 1.65	2.44	3.19	3.07	4.10	4.9	6.6	4.1	6.0	5.4



IT IS ASSUMED THAT STEEL MATERIAL WITH A YIELD STRENGTH OF 25,000 PSI OR GREATER IS USED. LOADS ABOVE ASSUME THAT A HANGER ROD IS 6" MAX. DISTANCE FROM DUCT SIDE FOR LENGTHS 96" OR LESS AND 3" FOR GREATER LENGTHS. IF THE ROD IS 2" AWAY FROM THE DUCT THE ALLOWABLE LOAD INCREASES SIGNIFICANTLY. STRUCTURAL STEEL SHAPES THAT HAVE EQUIVALENT Z PROPERTIES MAY BE USED AS ALTERNATIVES. Z IS IN IN<sup>3</sup>.  $I_x$  IS IN IN<sup>4</sup>.

See Fig. 4- 5 for load calculation method.  
See Table 4- 1 for rod and strap load limits.



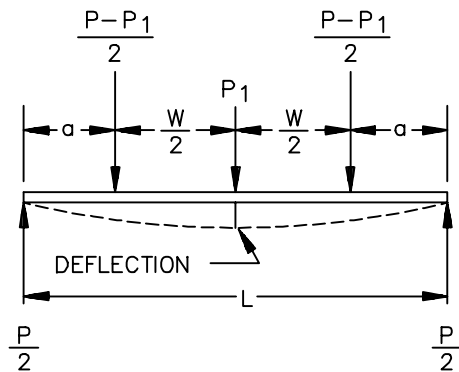
**TABLE 4-3M  
ALLOWABLE LOADS IN KILOGRAMS  
FOR TRAPEZE BARS**

		DIMENSIONS OF EQUAL LEG ANGLES IN MILLIMETERS											CHANNELS			
		25.4 x 1.61	25.4 x 3.2	38.1 x 1.61	38.1 x 3.2	38.1 x 4.8	38.1 x 6.4 or 51 x 3.2	51 x 3.8	51 x 6.4	63.5 x 4.8	63.5 x 6.4	76 x 6.4	102 x 6.4	76 x 1.9	76 x 2.7	102 x 2.5
SECTION PROPERTIES	Length															
		450	36	68	81	159	231	295	426	558	680	889				
	600	34	68	81	159	231	295	426	558	680	889					
	760	32	68	81	159	231	295	426	558	680	889					
	900	27	59	72	154	227	281	417	549	671	880					
	1060	18	50	63	145	218	277	408	540	667	875					
	1220		36	50	132	204	263	395	526	653	862					
	1370				113	181	245	381	508	635	844					
	1520				86	159	222	354	480	608	816					
	1670				45	86	181	318	444	571	780					
	1830						145	281	408	535	744					
	2010						95	227	358	485	694					
	2130							454	299	426	635		2123	2109	2713	4119
	2440								145	272	480	1048	1969	1755	2245	3964
	2740	-	-	-	-	-	-	-	-	-	-	1139	3284	2613	3529	7010
	3050											553	2699	1869	2690	5987
	3350		-	-	-	-	-	-	-	-	-	-	1973	1152	1778	4908
	3660		-	-	-	-	-	-	-	-	-	-	1098	-	907	3778
$I_x$		.494	.906	1.69	3.21	4.53	3.72/7.82	11.2	14.3	22.5	28.9	51.0	125	68.3	85.2	158
A (mm <sup>2</sup> )		77.4	151	116	232	340	444/312	4.61	605	582	768	929	1252	781	1136	1026
Z		.262	.508	.606	1.18	1.70	2.13	3.11	4.05	4.97	6.46	9.46	17.2	18.0	22.6	31.6
Kg/m		.65	1.20	.98	1.83	2.68	3.48/2.46	3.63	4.75	4.57	6.10	7.29	9.82	6.10	8.93	8.04

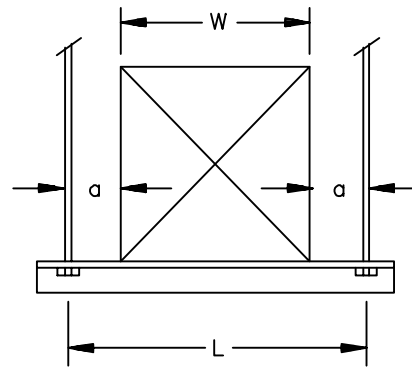
IT IS ASSUMED THAT STEEL MATERIAL WITH A YIELD STRENGTH OF 172.4 MPA OR GREATER IS USED. LOADS ABOVE ASSUME THAT A HANGER ROD IS 152 MIN. MAX. DISTANCE FROM DUCT SIDE FOR LENGTHS 2440 MM OR LESS AND 76MM FOR GREATER LENGTHS. IF THE ROD IS 51 MM AWAY FROM THE DUCT THE ALLOWABLE LOAD INCREASES SIGNIFICANTLY.

STRUCTURAL STEEL SHAPES THAT HAVE EQUIVALENT Z PROPERTIES MAY BE USED AS ALTERNATIVES. Z IS IN 10<sup>3</sup> MM<sup>3</sup>. I<sub>x</sub> IS IN 10<sup>4</sup> MM<sup>3</sup>.

See Fig. 4- 5 for load calculation method.  
See Table 4- 1 for rod and strap load limits.



LOAD DIAGRAM



TRAPEZE SUPPORT

- W = Duct Width, inches
- L = Distance between supports on the trapeze, inches (mm)
- a = Distance between support and duct side, inches (mm)
- D = Deflection, inches, suggested maximum 3/8" (9.5 mm)
- E = Modulus of elasticity (29,000,000 psi for steel) (200 x 10<sup>6</sup> KPa)
- I = Moment of Inertia, in.<sup>4</sup> (mm<sup>4</sup>)
- Z = Section Modulus, in.<sup>3</sup> (mm<sup>3</sup>)
- P = Weight of duct, reinforcements, insulation, etc.—not to exceed allowable load for stress or deflection limits
- P<sub>1</sub> = Weight of duct material of an area W x W in. (mm) ft<sup>2</sup> times 2.656 lb/ft. (127 Pa)
- M = Moment, in.-lb. (mN x m)
- S = Allowable stress, steel = 15,000 psi (103,425 KPa) for bending stress.  
Shear stress alone should not exceed 7,500 psi. (51,713 KPa)
- F = Shear load, lbs. (Kg.)
- A = Cross sectional area, in.<sup>2</sup> (mm<sup>2</sup>)

**BENDING STRESS**

$$S_A = 15,000 \text{ psi} = \frac{M}{Z} P = 2 \frac{SZ}{a} - P_1 \left( \frac{L}{2a} - 1 \right) = 30,000 \frac{Z}{a} - P_1 \left( \frac{L}{2a} - 1 \right)$$

**DEFLECTION**

$$D = \frac{(P - P_1) a (3L^2 - 4a^2)}{2 (24EI)} + \frac{P_1 L^3}{48 EI}$$

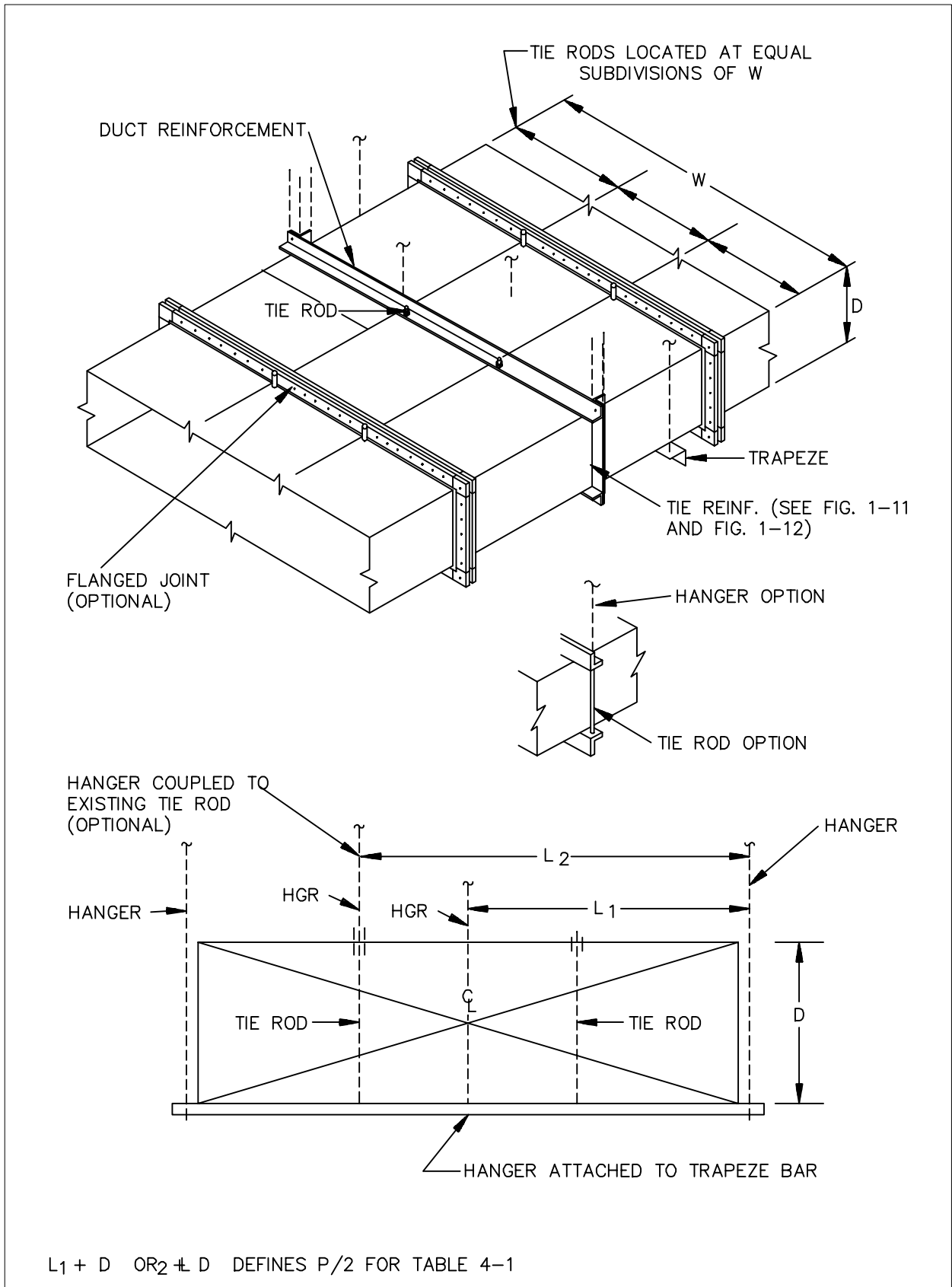
Consult reference texts for other conditions of loading. For round duct loads on trapeze angles see the Round Industrial Duct Construction Standards

**SHEAR STRESS**

$$S_S = 7,500 \text{ Psi} = \frac{F}{A} = \frac{P}{2a} \quad P = 15000 A \text{ (maximum)}$$

Notice: Formula constants here are not in metric units.

**FIGURE 4-5 TRAPEZE LOAD DIAGRAM**



**FIGURE 4-6 LARGE DUCT SUPPORT**

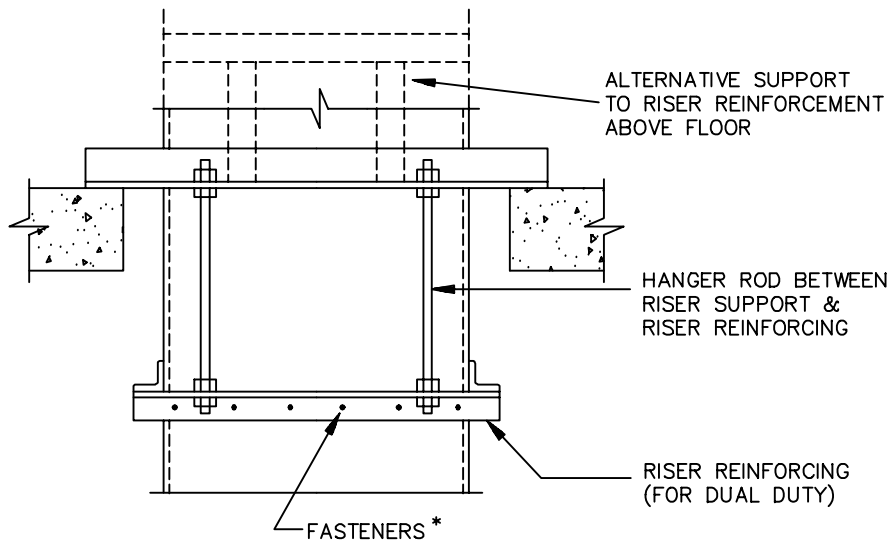


FIG. B

\* MINIMUM NUMBER OF FASTENERS ON EACH OF TWO SUPPORT BARS

LARGEST DUCT DIM.	MINIMUM NUMBER OF FASTENERS
16" and down	2
17" - 24"	3
over 24"	Largest duct dim. Divided by 8

Locate a fastener within 2" of the duct edges. Locate others at evenly spaced intervals. See Table 4-4 on page 4.16.

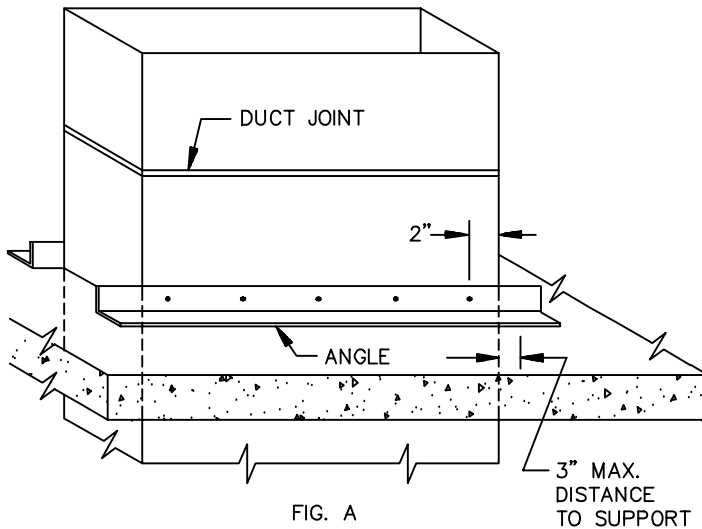


FIG. A

SUGGESTED SIZING FOR SUPPORT OF 12 FT. OF DUCT

DUCT SIZE	ANGLE
36" x 18"	1 1/2" x 1 1/2" x 1/8"
48" x 24"	1 1/2" x 1 1/2" x 1/8"
60" x 30"	1 1/2" x 1 1/2" x 3/16"
60" x 60"	1 1/2" x 1 1/2" x 1/4" or 2" x 2" x 1/8"

OVER 60" - INCREASE ANGLE SIZE AS REQUIRED FOR SPACE & DUCT SIZE

SUPPORT RISERS SO THAT THEY ARE IN TENSION

FIGURE 4-7 RISER SUPPORTS - FROM FLOOR

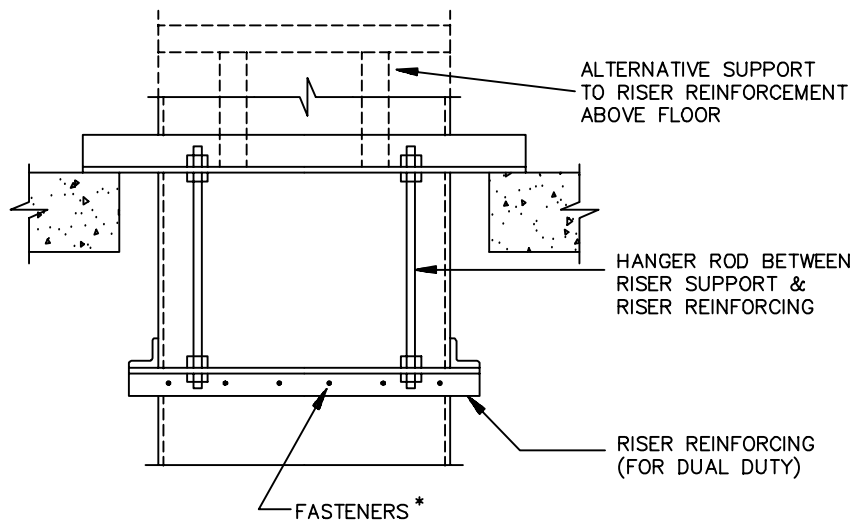


FIG. B

\* MINIMUM NUMBER OF FASTENERS  
ON EACH OF TWO SUPPORT BARS

LARGEST DUCT DIM.	MINIMUM NUMBER OF FASTENERS
406 mm and down	2
432 mm – 610 mm	3
over 610 mm	Largest duct dim. Divided by 8

Locate a fastener within 51 mm of the duct edges. Locate others at evenly spaced intervals. See Table 4-4 on page 4-16.

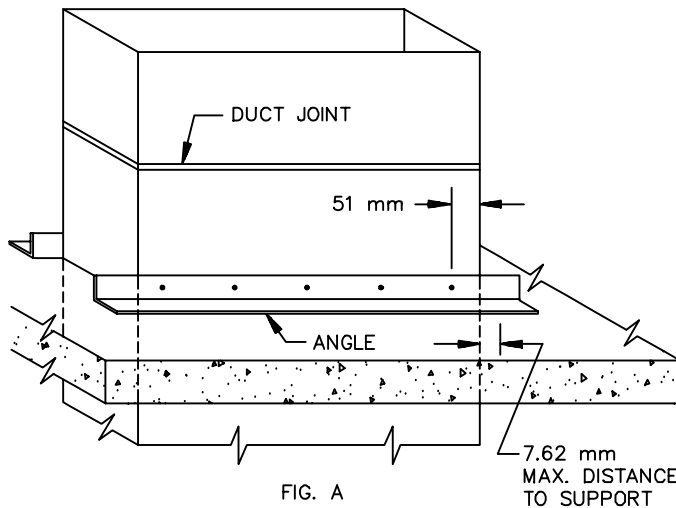


FIG. A

SUGGESTED SIZING FOR  
SUPPORT OF 3.7 M OF DUCT

DUCT SIZE	ANGLE
914 x 457 mm	38.1 x 38.1 x 3.2 mm
1219 x 610 mm	38.1 x 38.1 x 3.2 mm
1524 x 762 mm	38.1 x 38.1 x 4.8 mm
1524 x 1524 mm	38.1 x 38.1 x 6.4 mm or 51 x 51 x 3.2 mm

OVER 1524 mm – INCREASE ANGLE SIZE  
AS REQUIRED FOR SPACE & DUCT SIZE

**FIGURE 4-7M RISER SUPPORTS – FROM FLOOR**

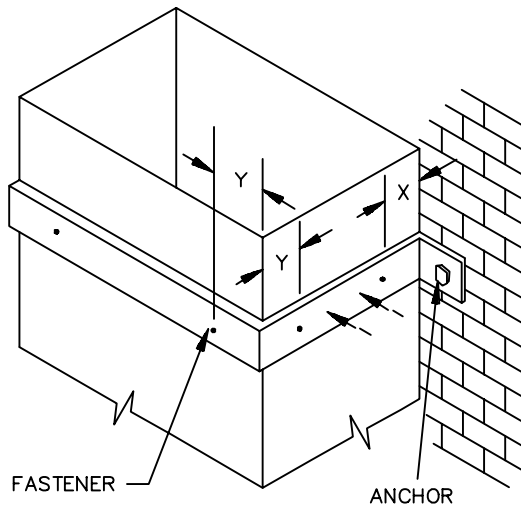


FIG. A

← DASHED LINE SHOWS SUPPLEMENTAL FASTENER LOCATIONS

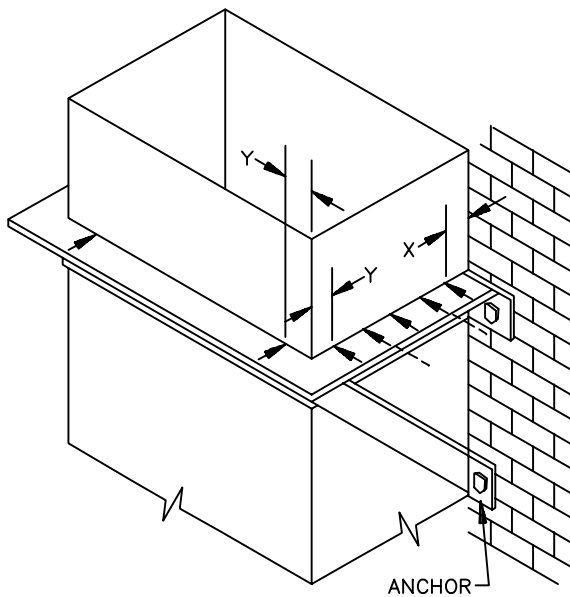


FIG. B

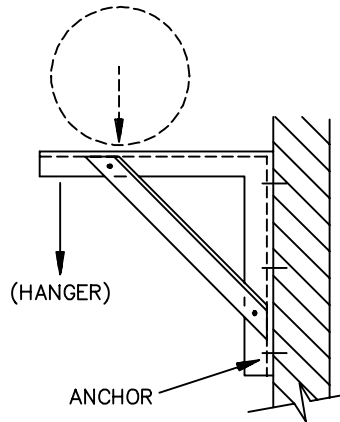
FIG. A - SUGGESTED SIZING

DUCT SIZE	ANGLE
18" x 12"	1 1/2" x 16 GA.
24" x 20"	1" x 1/8"

TABLE 4-4

DUCT GAGE	ALLOWABLE LOAD PER FASTENER *
28, 26	25 lb
24, 22, 20	35 lb
18, 16	50 lb

\* WELD, BOLT OR NO. 8 SCREW (MIN.) DEVIATION PERMITTED BY OTHER ANALYSIS. X=1", Y=2"; ADD OTHERS TO ACCOMMODATE LOAD. MINIMUM OF 3 ON 24" WIDTH AND UP. ADD ALONG SIDES NEAREST ANCHORS.



SEE KNEE BRACKET TABLES IN THE ROUND INDUSTRIAL STDS.

FIG. B - SUGGESTED SIZING

DUCT SIZE	ANGLE
30" x 12"	1" x 1" x 1/8"
36" x 18"	1" x 1" x 1/8"
42" x 24"	1 1/4" x 1 1/4" x 1/8"
48" x 30"	1 1/4" x 1 1/4" x 1/8"

- NOTES:
- BRACKETS ARE SIZED FOR 12 FEET OF DUCT, MAXIMUM.
  - LOCATE DUCTS AGAINST WALL OR MAXIMUM OF 2" AWAY FROM WALL.
  - EACH WALL ANCHOR SHALL SATISFY THE FOLLOWING CRITERIA UNLESS OTHER ANALYSIS IS MADE:
    - TENSILE LOAD = 3/8 x DUCT WEIGHT; SAFETY FACTOR 4.
    - SHEAR LOAD x 1/2 x DUCT WEIGHT; SAFETY FACTOR 4.

### FIGURE 4-8 SUPPORTS FROM WALL



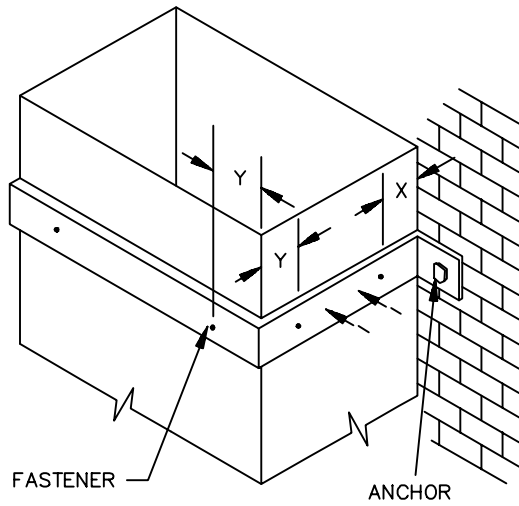


FIG. A

← DASHED ARROW SHOWS SUPPLEMENTAL FASTENER LOCATIONS

FIG. A - SUGGESTED SIZING

DUCT SIZE	ANGLE
457 x 300 mm	38.1 x 1.61 mm
610 x 508 mm	25 x 3.2 mm

TABLE 4-4

DUCT GAGE	ALLOWABLE LOAD PER FASTENER*
0.48, 0.58 mm	11.3 KG
0.70, 1.00 mm	16 KG
1.31, 1.61 mm	23 KG

\*WELD, BOLT OR NO. 8 SCREW (MIN.)  
 DEVIATION PERMITTED BY OTHER ANALYSIS. X = 25 mm, Y = 51 mm; ADD OTHERS TO ACCOMMODATE LOAD. MINIMUM OF 3 ON 610 mm WIDTH AND UP. ADD ALONG SIDES NEAREST ANCHORS.

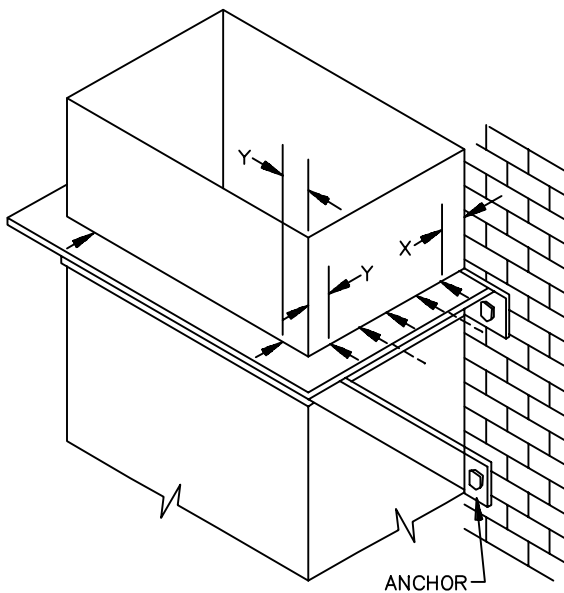
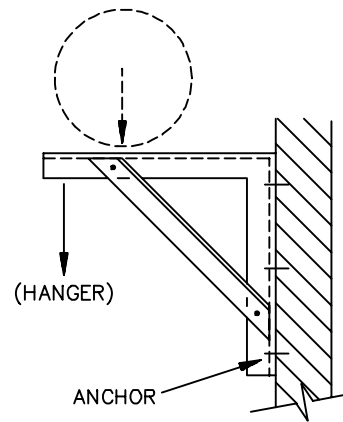


FIG. B



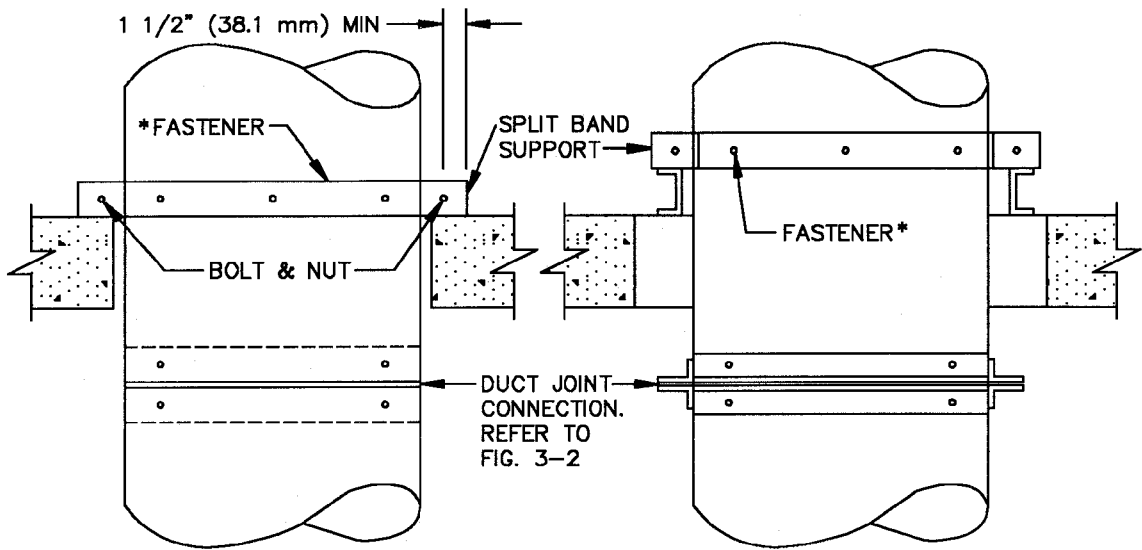
SEE KNEE BRACKET TABLES IN THE ROUND INDUSTRIAL STDS.

FIG. B - SUGGESTED SIZING

DUCT SIZE	ANGLE
762 x 305 mm	25 x 25 x 3.2 mm
914 x 457 mm	25 x 25 x 3.2 mm
1067 x 610 mm	31.8 x 31.8 x 3.2 mm
1219 x 914 mm	31.8 x 31.8 x 3.2 mm

- NOTES:
- BRACKETS ARE SIZED FOR 3.7 M OF DUCT, MAXIMUM.
  - LOCATE DUCTS AGAINST WALL OR MAXIMUM OF 51 mm AWAY FROM WALL.
  - EACH WALL ANCHOR SHALL SATISFY THE FOLLOWING CRITERIA UNLESS OTHER ANALYSIS IS MADE:
    - TENSILE LOAD =  $3/8 \times$  DUCT WEIGHT; SAFETY FACTOR 4.
    - SHEAR LOAD  $\times 1/2 \times$  DUCT WEIGHT; SAFETY FACTOR 4.

## FIGURE 4-8M SUPPORTS FROM WALL

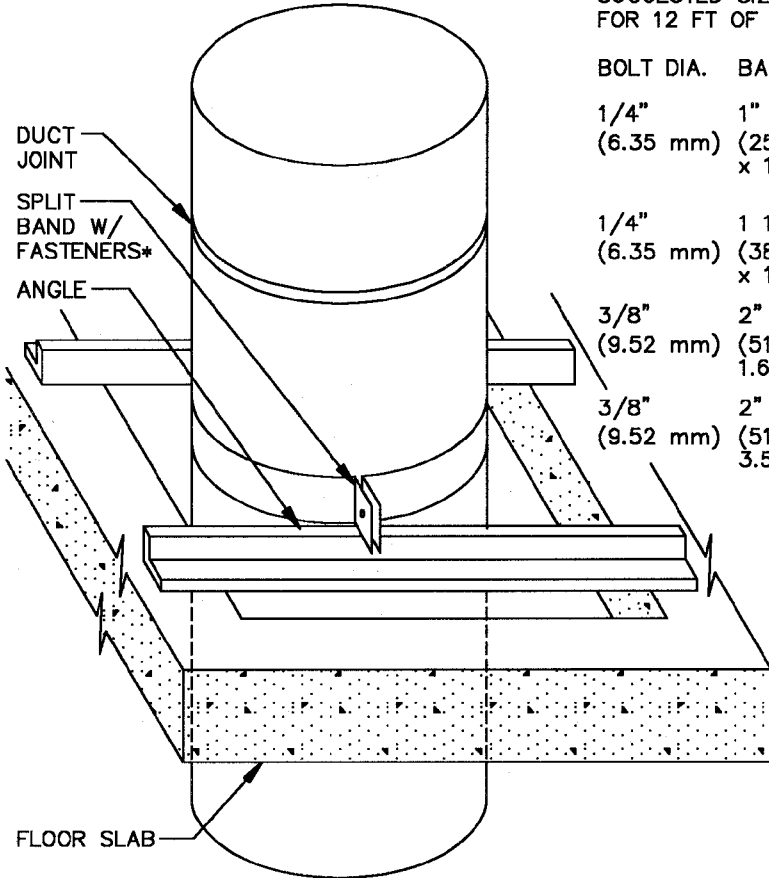


SPLIT BAND SUPPORT DIRECTLY ON FLOOR SLAB

SPLIT BAND SUPPORT BY SUPPLEMENTAL ANGLE OR CHANNEL SPANNING THE SLAB OPENING. USE AISC STEEL HANDBOOK FORMULA FOR SIZING BEAMS WITH TWO CONCENTRATED LOADS.

SUGGESTED SIZING FOR SPLIT BAND SUPPORT FOR 12 FT OF DUCT

BOLT DIA.	BAND SIZE	DUCT DIA.
1/4" (6.35 mm)	1" x 16 GA (25.4 mm x 1.61 mm)	UP TO 12" DIA 24 GA (UP TO 305 mm DIA 0.70 mm)
1/4" (6.35 mm)	1 1/2" x 16 GA (38.1 mm x 1.61 mm)	13" TO 24" DIA 20 GA (330 mm TO 610 mm DIA 1.00 mm)
3/8" (9.52 mm)	2" x 16 GA (51 mm x 1.61 mm)	25" TO 36" DIA 20 GA (635 mm TO 914 mm DIA 1.00 mm)
3/8" (9.52 mm)	2" x 10 GA (51 mm x 3.51 mm)	37" TO 60" DIA 18 GA (940 mm TO 1524 mm DIA 1.31 mm)



\* MINIMUM OF TWO FASTENERS IN EACH HALF OF BAND. OTHERWISE SPACE THEM AT 8" (200 mm) AND SO THAT THE LOAD SATISFIES TABLE 4-4 ON FIG. 4-8.

FIGURE 4-9 RISER SUPPORT - FROM FLOOR



FOR TYPICAL ISOLATION DEVICES SEE APPENDIX A-32  
 FOR UPPER ATTACHMENT METHODS SEE FIGURES 4-2 AND 4-3

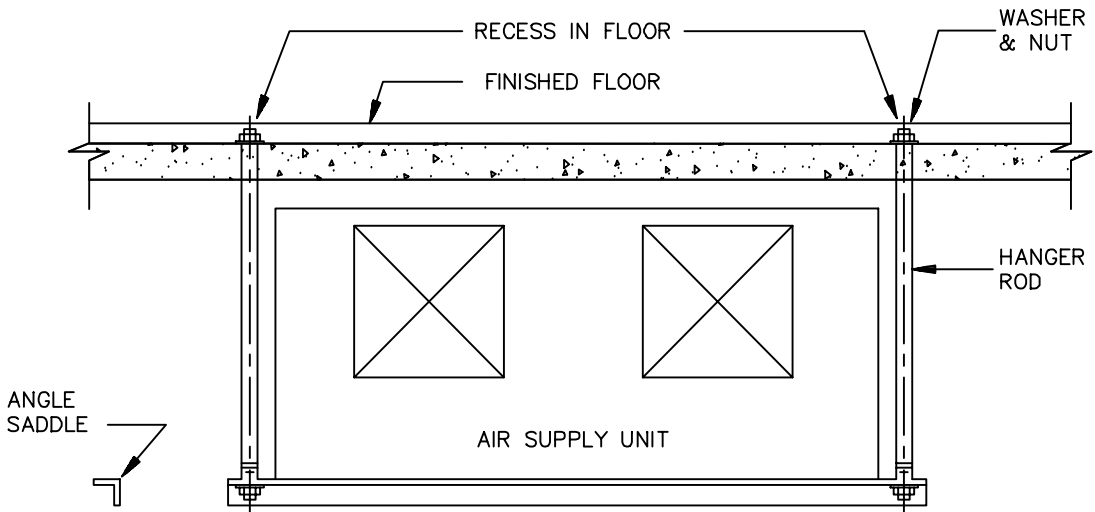


FIG. A

SUSPENSION METHODS SHOWN ARE SOME OF MANY  
 ALTERNATIVES THAT MAY BE ENGINEERED BY DESIGNERS.

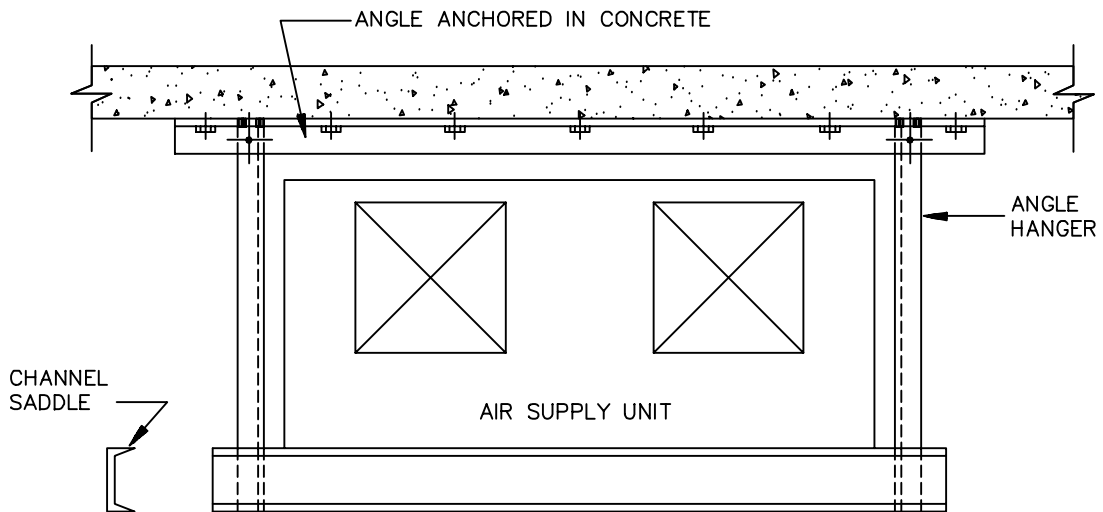
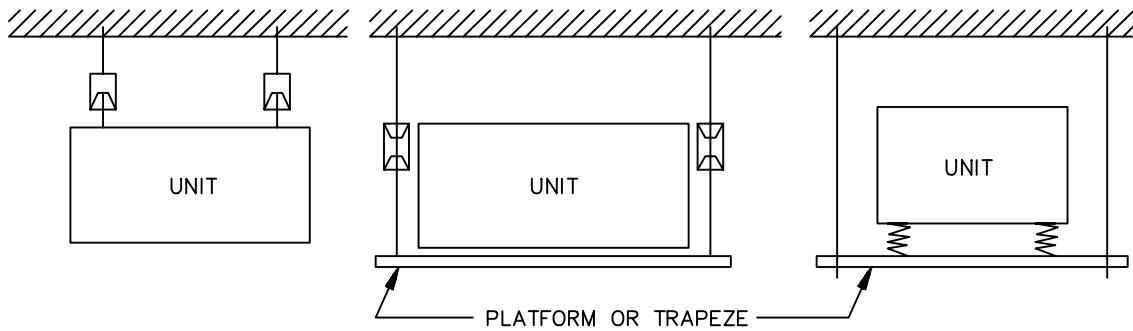


FIG. B



**FIGURE 4-10 HVAC UNIT SUSPENSION**

**CHAPTER 5**

**EXTERIOR COMPONENTS**

**5.1 INTRODUCTION**

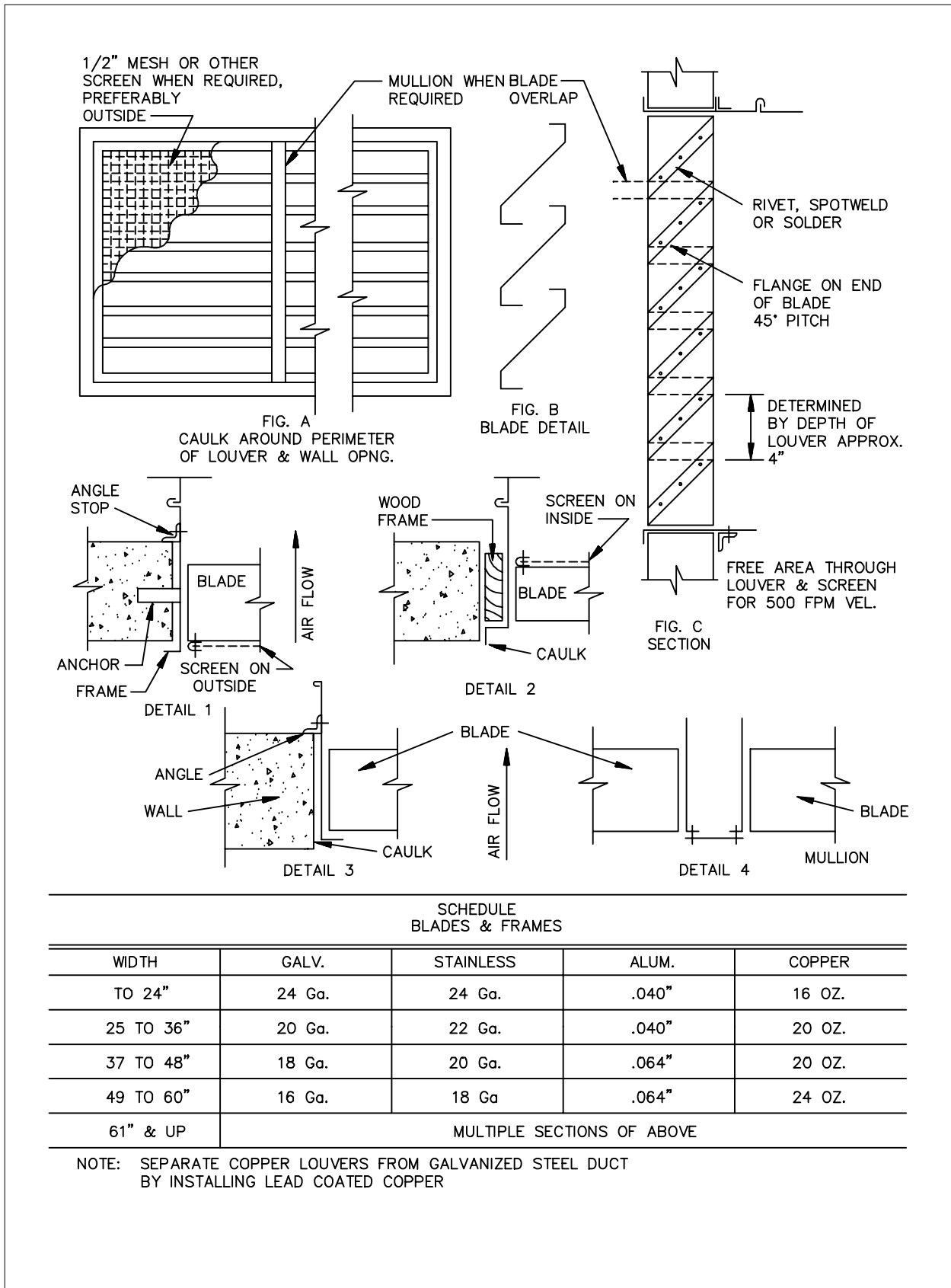
Among the deliberations that designers should consider in the selection of louvers, rooftop ducts, curbs, ventilators, supports, and other components are the following.

1. waterproofing details
2. durability/service life
3. wind, snow and hail resistance
4. corrosion rate — chemical, electrolytic and atmospheric
5. maintenance/repair frequency
6. orientation of air intakes and discharges to prevent hazards
7. vibration control
8. how the presence of proximity of screen enclosures used for aesthetic purposes affect the performance of the HVAC systems
9. infiltration, exfiltration and prevailing wind direction
10. the details and resource references dealing with the preceding in the SMACNA duct standards, *HVAC Duct System Design Manual* and the *Architectural Sheet Metal Manual*

Information on air flow pressure loss standard stock sizes, strength, corrosion, comparative cost and much other data on perforated metals is available from the Industrial Perforators Association. Some perforated metals have the appearance of wire mesh screens.

Similar data for bird screen, insect screen and other meshes for wire cloth is available from the American Wire Cloth Institute and its members.



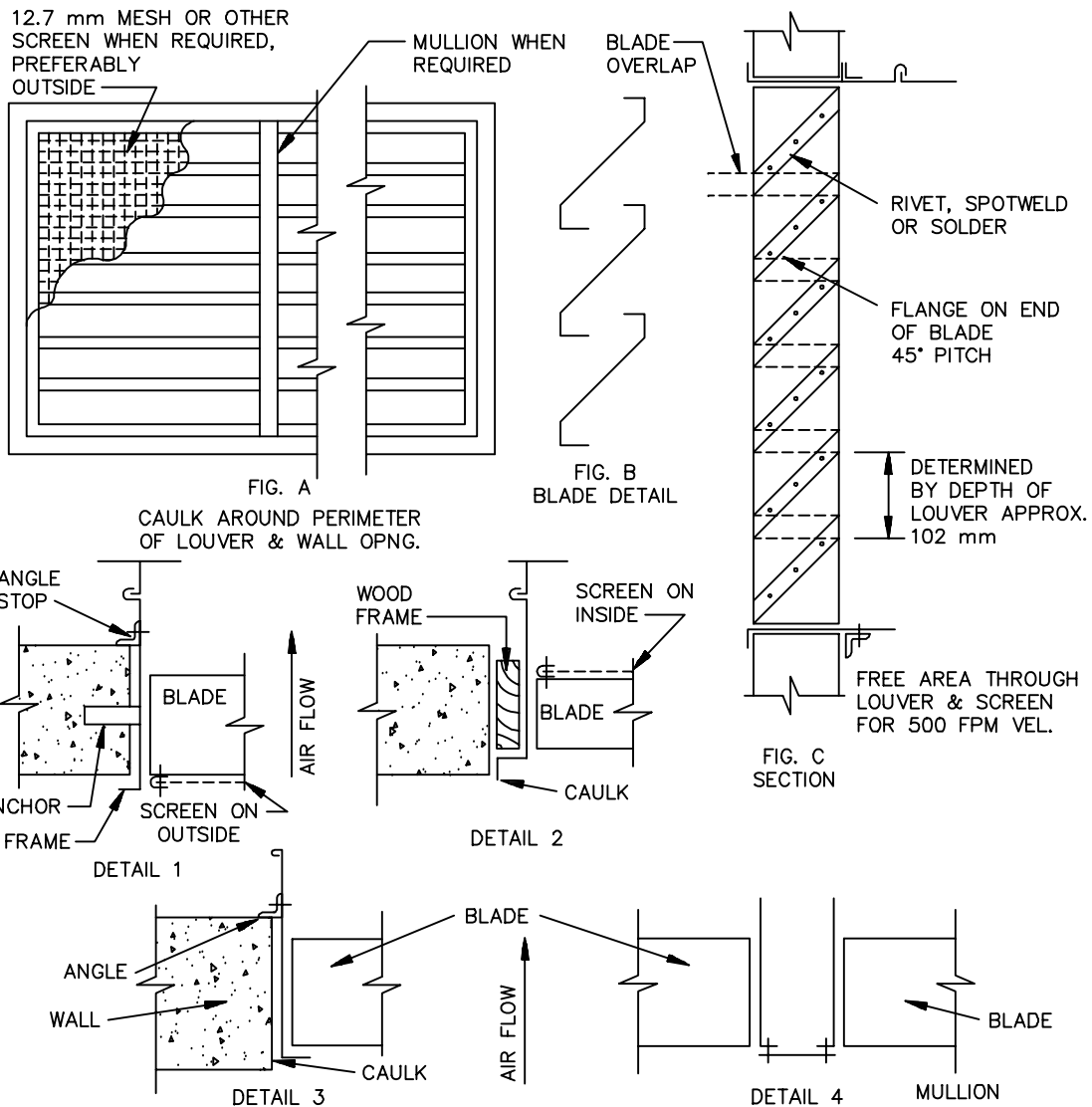


SCHEDULE  
BLADES & FRAMES

WIDTH	GALV.	STAINLESS	ALUM.	COPPER
TO 24"	24 Ga.	24 Ga.	.040"	16 OZ.
25 TO 36"	20 Ga.	22 Ga.	.040"	20 OZ.
37 TO 48"	18 Ga.	20 Ga.	.064"	20 OZ.
49 TO 60"	16 Ga.	18 Ga.	.064"	24 OZ.
61" & UP	MULTIPLE SECTIONS OF ABOVE			

NOTE: SEPARATE COPPER LOUVERS FROM GALVANIZED STEEL DUCT BY INSTALLING LEAD COATED COPPER

FIGURE 5-1 LOUVERS AND SCREENS



SCHEDULE  
BLADES & FRAMES

WIDTH	GALV.	STAINLESS	ALUM.	COPPER
TO 610 mm	0.70 mm	0.61 mm	1.02 mm	0.45 kg
635 TO 914 mm	1.00 mm	0.80 mm	1.02 mm	0.57 kg
940 TO 1219 mm	1.31 mm	0.95 mm	1.60 mm	0.57 kg
1245 TO 1524 mm	1.61 mm	1.27 mm	1.60 mm	0.68 kg
1548 mm & UP	MULTIPLE SECTIONS OF ABOVE			

NOTE: SEPARATE COPPER LOUVERS FROM GALVANIZED STEEL DUCT BY INSTALLING LEAD COATED COPPER

FIGURE 5-1M LOUVERS AND SCREENS

Consult AMCA Standard 500 for complete information on free area, static pressure loss, water penetration and cfm ratings.

Free area is the minimum area through which air can pass and is determined by multiplying the sum of the minimum distances between intermediate blades, top blade and head and bottom blade and sill, by the minimum distance between jambs. The percent free area is the free area thus calculated, divided by the face area of the louver x 100. See cross sections of louvers and frames.

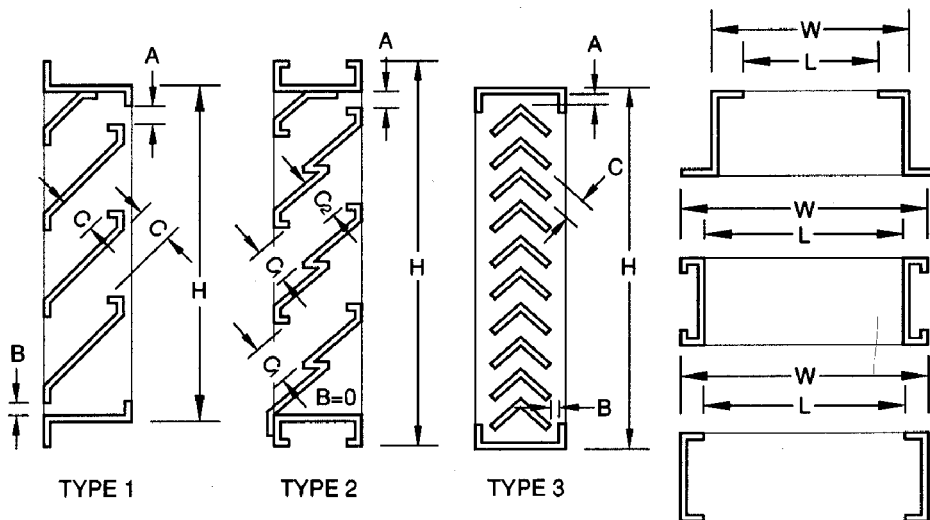
$$\text{Free Area (sq. in. (mm))} = L(A + B + N + C)$$

$$\text{Percent Free Area} = \frac{L(A + B + N + C) 100}{W \times H}$$

Where:

- A = Minimum distance, in inches (mm), between the head and top blade.
- B = Minimum distance, in inches (mm), between the sill and bottom blade.
- C = Minimum distance, in inches (mm), between adjacent blades.  
Note that in louver Type 2, C<sub>1</sub> may not be equal to C, and the minimum C should be used.
- N = Number of "C" openings in the louver.
- L = Minimum distance, in inches (mm), between louver jambs.
- W = Actual louver width, in inches (mm).
- H = Actual louver height, in inches (mm).

Size listing: conventional practice is to list width by height.



TYPICAL LOUVER AND FRAME CROSS SECTIONS  
SHOWING MINIMUM DISTANCES IN FORMULA

FIGURE 5-2 LOUVER FREE AREA CALCULATION



## 5.2 ROOFTOP EQUIPMENT INSTALLATION

### 5.3 COMMENTARY

Each installation of a roof-mounted HVAC unit or roof-supported duct involves customized design requirements. The construction details and recommendations here are therefore advisory and depend on contract documents for clarification. Openings in roofs require coordination of the architectural, structural, mechanical, and electrical contract drawings. The height of equipment and ducts above the roof level may be influenced by snow loading, snow drifting, and wind loading as well as esthetic considerations. Designers must specify constructions appropriate for the specific locality and circumstances.

All ducts that are not watertight through the use of welded constructions or protective shields and are exposed directly to weather and solar radiation should have secure, watertight mechanical connections and receive exterior duct sealant treatment as defined in Section 1.9(h).

Exterior duct sealant treatment should consist of applying products marketed specifically as forming a positive airtight and watertight seal, bonding well to the metal involved, remaining watertight with metal movement, and having a service temperature range of  $-30^{\circ}\text{F}$  ( $-34^{\circ}\text{C}$ ) to  $175^{\circ}\text{F}$  ( $79^{\circ}\text{C}$ ). If exposed to direct sunlight it should also be ultraviolet ray- and ozone-resistant or should, after curing, be painted with a compatible coating that provides these plus weather resistance. The term sealant is not limited to materials of adhesive or mastic nature, but is inclusive of tapes and combinations of woven fabric strips and mastics. Asphalt-based compounds should not be used for sealing ducts.

Duct systems should not be pressurized until the sealant has had time to cure. Follow the sealant manufacturer's recommendations on curing.

Unless otherwise prescribed by the HVAC equipment manufacturer, ducts should be flanged for attachment to equipment with mechanical fastening plus exterior duct sealant. Typical connections are shown in Figure 5-3. The attachment method should accommodate disconnection if this is required for routine maintenance of the equipment.

Where vibration isolation material is required at the connection of ducts to equipment, such material

should be impervious to water. Ducts should be supported to avoid the transfer of duct weight across flexible connections.

Roof penetrations by ducts should have curbs. Ducts that are interrupted at the curb should overhang the top of the curb or be flashed to divert water over the curb. Ducts that are continuous through the curb should have flashing that slopes over the curb and is sealed to the duct with caulking or a suitable tape. Adequate clearances between ducts and roof penetration openings should be provided. *See* Figure 5-4.

Curbs may be supplied with rooftop units or provided independently. The equipment manufacturer may outline flashing methods, structural opening requirements, sealing techniques, etc., which must be coordinated with project construction. With considerable pitch in the roof, a subbase may be required to adapt to a pre-engineered curb. Furthermore, curb mountings may incorporate vibration isolation features.

All penetrations into ducts should be watertight. Duct reinforcements and supports attached to the duct should have external sealant at points of penetrations. Attach supports with a minimum number of duct penetrations.

Horizontal ducts should be pitched and provided with drainage outlets as illustrated by the system designer.

If airtight, waterproof flexible insulation jackets are applied on positive pressure ducts, the installation should accommodate some duct leakage; ducts are not completely airtight.

When moving rooftop units across the roof, handle them in a manner to prevent roof damage.

Supports for ducts should be as indicated in Figure 5-4. If the support does not rest on a cap-flashed curb, the penetration of the roof membrane should have base flashing and umbrella flashing.

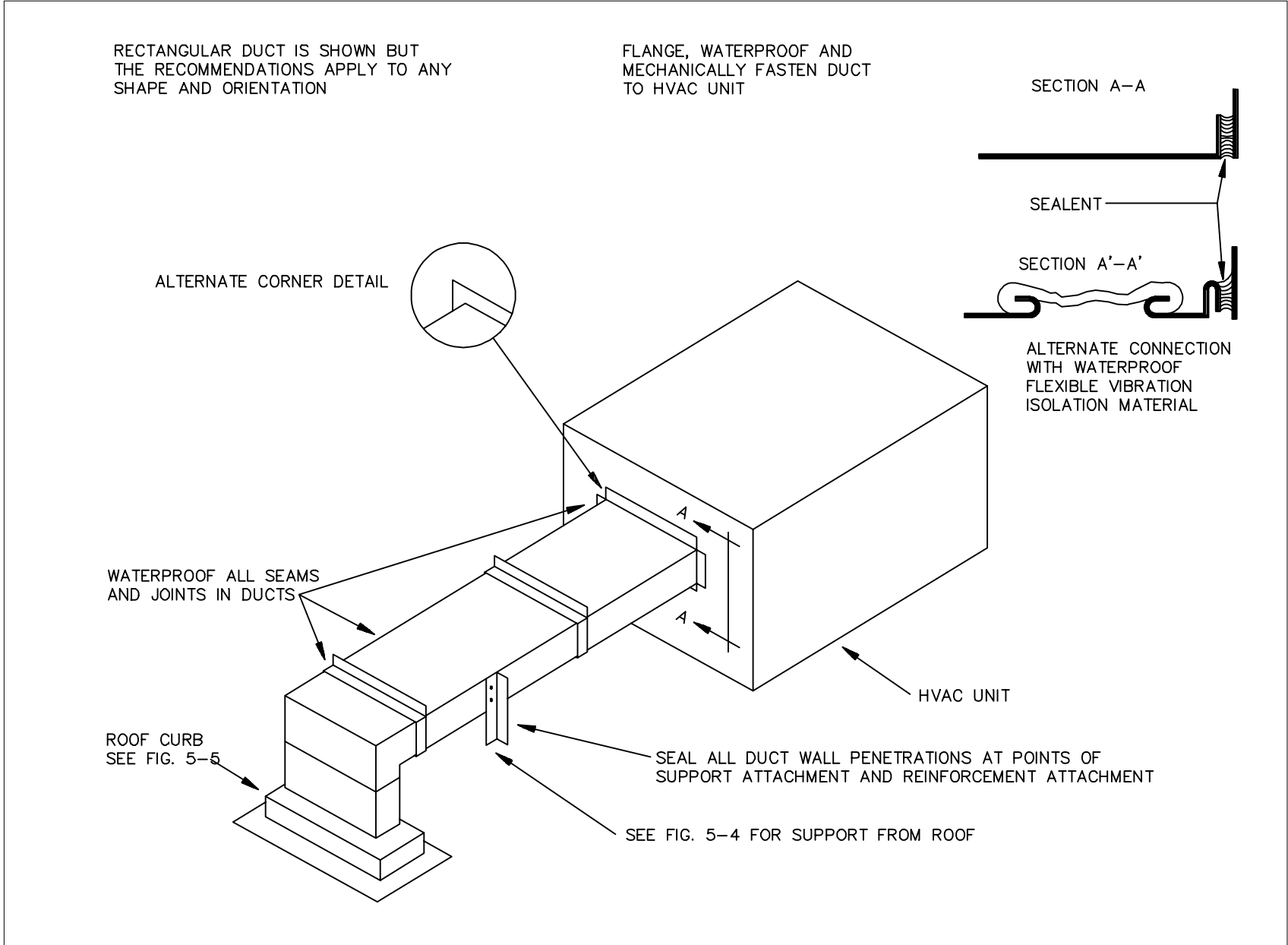
Pitch pockets require periodic maintenance and are not permanently watertight. They are not recommended.

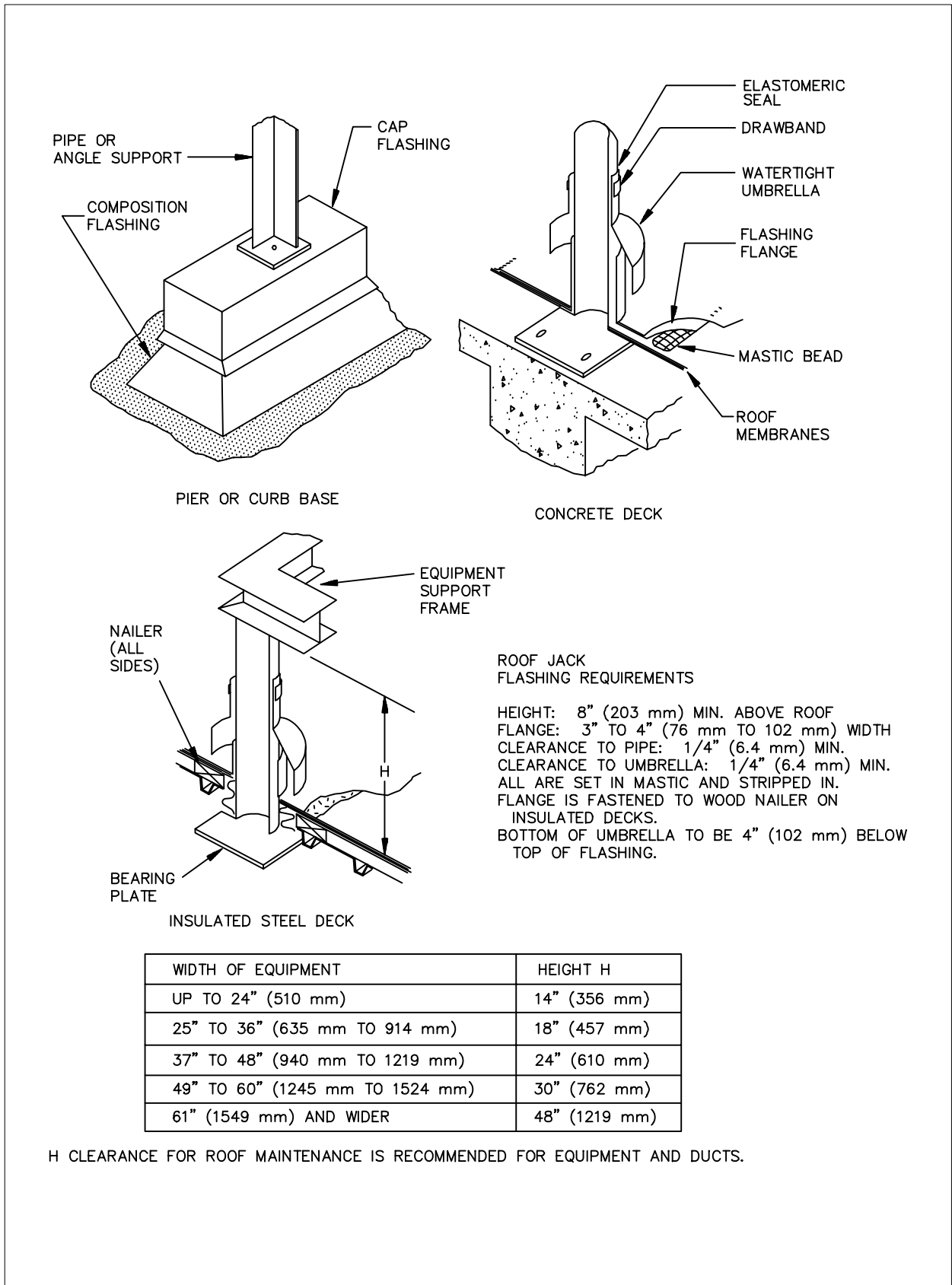
Designers should carefully consider the proximity of intakes to exhausts and the possibility of drawing in contaminated air. The direction and elevation of discharges may be controlled by codes or standards such as NFPA-89M, 90A, 91, 96, 204 or 211.



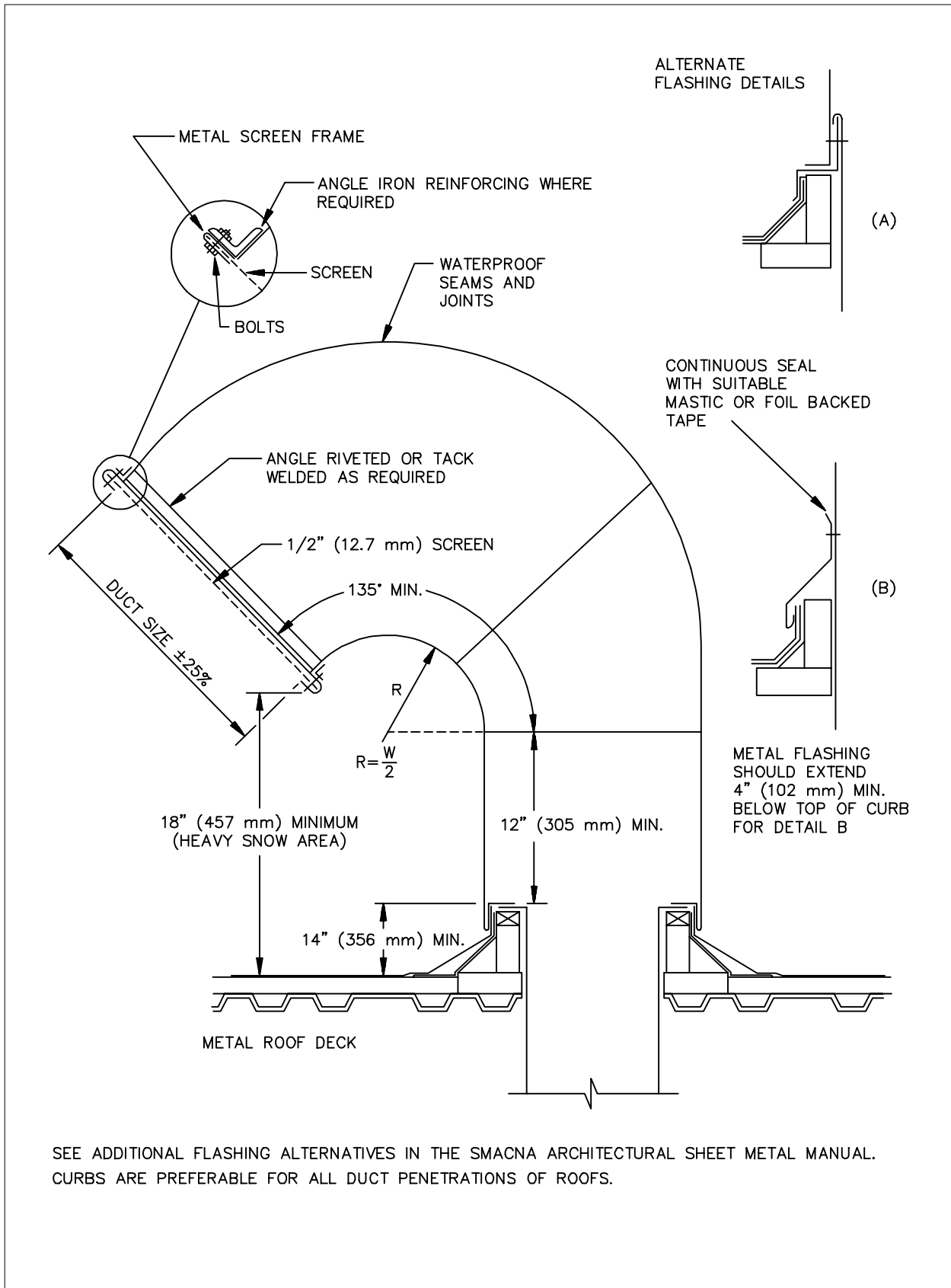


FIGURE 5-3 ROOFTOP DUCT INSTALLATION

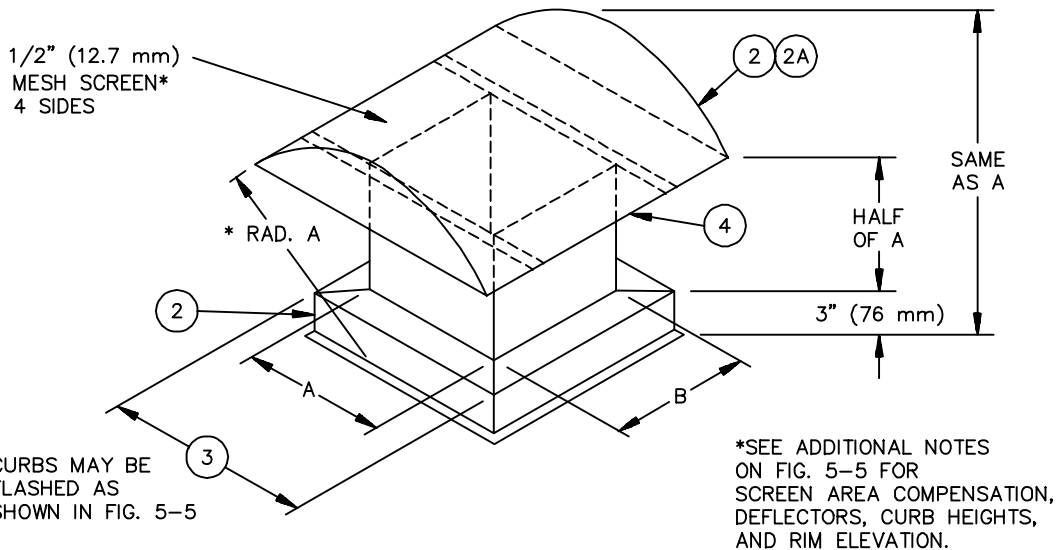




**FIGURE 5-4 EQUIPMENT AND DUCT SUPPORT FLASHING**



**FIGURE 5-5 RECTANGULAR GOOSENECK**



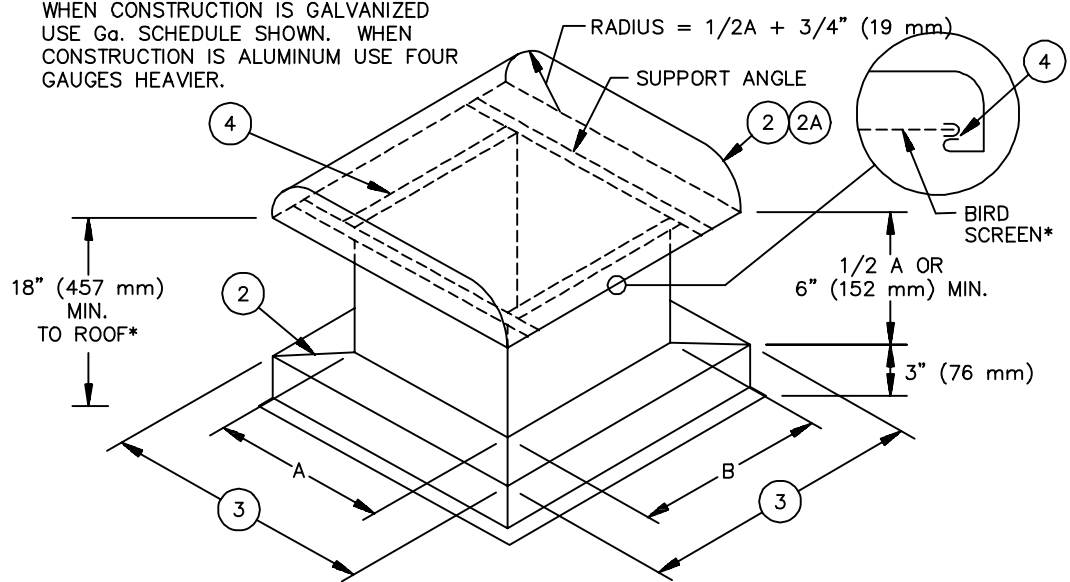
CURBS MAY BE FLASHED AS SHOWN IN FIG. 5-5

IF USED FOR DAMPER ACCESS, USE HINGES AND LATCHES

\*SEE ADDITIONAL NOTES ON FIG. 5-5 FOR SCREEN AREA COMPENSATION, DEFLECTORS, CURB HEIGHTS, AND RIM ELEVATION.

CONSTRUCTION NOTES

1. WHEN  $A \times B = 12$  SQ. FT. (1.11 SQ. M) USE 22 GA. (0.85 mm)
- WHEN  $A \times B = 12$  TO 18 SQ. FT. (1.11 TO 1.67 SQ. M) USE 20 GA. (1.00 mm)
- WHEN  $A \times B =$  OVER 18 SQ. FT. (1.67 SQ. M) USE 18 GA. (1.31 mm)
- WHEN CONSTRUCTION IS GALVANIZED USE Ga. SCHEDULE SHOWN. WHEN CONSTRUCTION IS ALUMINUM USE FOUR GAUGES HEAVIER.

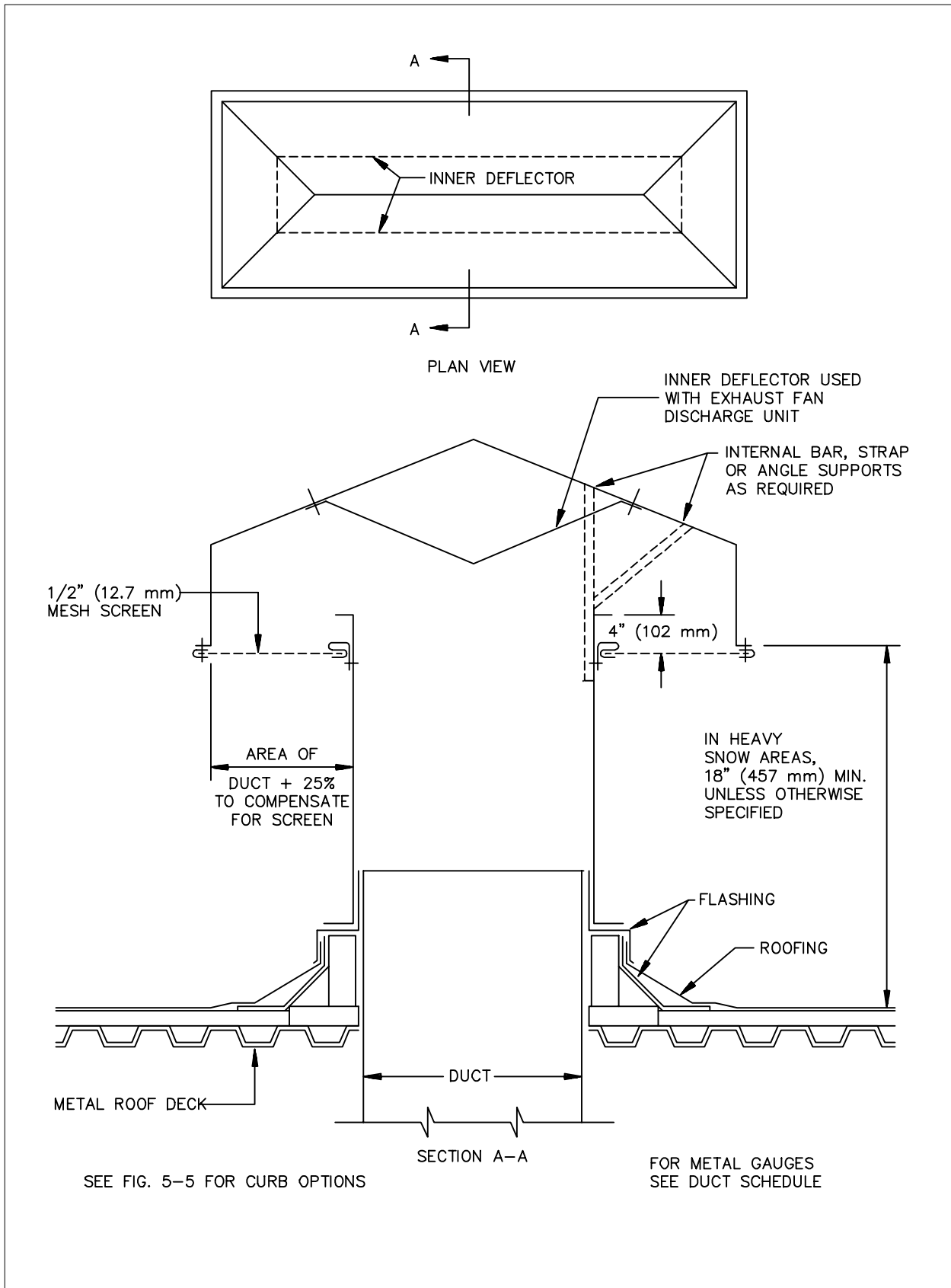


CONSTRUCTION NOTES

- |  |   |
|--|---|
| 2. WELDED OR RIVETED AND SOLDERED.                     | 3. DIMENSIONS AS REQ'D. TO FLASH OVER CURB.       |
| 2A. COVER END SEAMS ON UNITS MAY BE SEALED PITTSBURGH. | 4. SUPPORT SCREEN ON 3/4\" (19 mm) HEMMED FLANGE. |

**FIGURE 5-6 INTAKE OR EXHAUST VENTILATORS**





**FIGURE 5-7 LARGE INTAKE OR EXHAUST VENTILATORS**

**CHAPTER 6**

**EQUIPMENT AND CASINGS**

**6.1 CASING AND PLENUM  
CONSTRUCTION STANDARDS**

- S6.0 Unless details are shown otherwise on contract drawings, provide casings and plenums of the designated pressure classification as required by this standard.
- S6.1 Submit details selected from the illustrated alternatives for approval of the contracting authority. When equivalent construction is proposed as substitution, clearly identify the substitution. Use construction appropriate for the pressure classification.
- S6.2 All casing on the suction side of the fan shall be of 2" wg (500 Pa) pressure classification. Casing on fan discharge shall be of the designated pressure class.
- S6.3 All joints, seams, connections, and abutments to the building structure shall be sealed with suitable compounds or gaskets.
- S6.4 Drains shall have water seals not less than 2" wg (500 Pa) greater than the maximum operating pressure in the chamber.
- S6.5 Pipe penetrations shall be sealed to prevent air leakage and condensation movement through the seal.
- S6.6 Casing material shall be of the same commercial grades as for ducts except that G90 coated galvanized steel shall be used in all chambers with moisture present.
- S6.7 Metal drain pans shall be of G90 coated galvanized steel.
- S6.8 All welds on casing interiors shall be painted.
- S6.9 Close-off or shafing sheets and strips shall be of G90 galvanized steel of thickness not less than that of the duct widths and shall be securely attached. They shall not be used for structural support of equipment.
- S6.10 Casings and plenums shall be constructed to withstand 133% of the rated pressure without structural failure. Wall and roof deflections at the rated pressure shall not exceed 1/8" per foot (0.97 mm/m) of width.
- S6.11 Casing for negative pressures greater than 3" wg (750 Pa) may be constructed in accordance with the SMACNA *Rectangular Industrial Duct Construction Standards*.



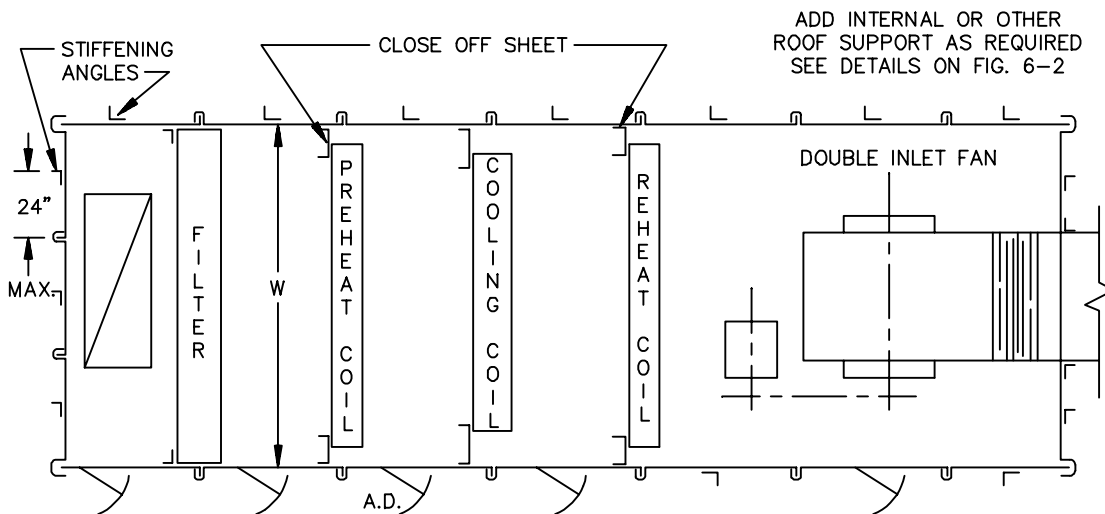


FIG. A

SEE FIG. 6-2 FOR ASSEMBLY DETAIL

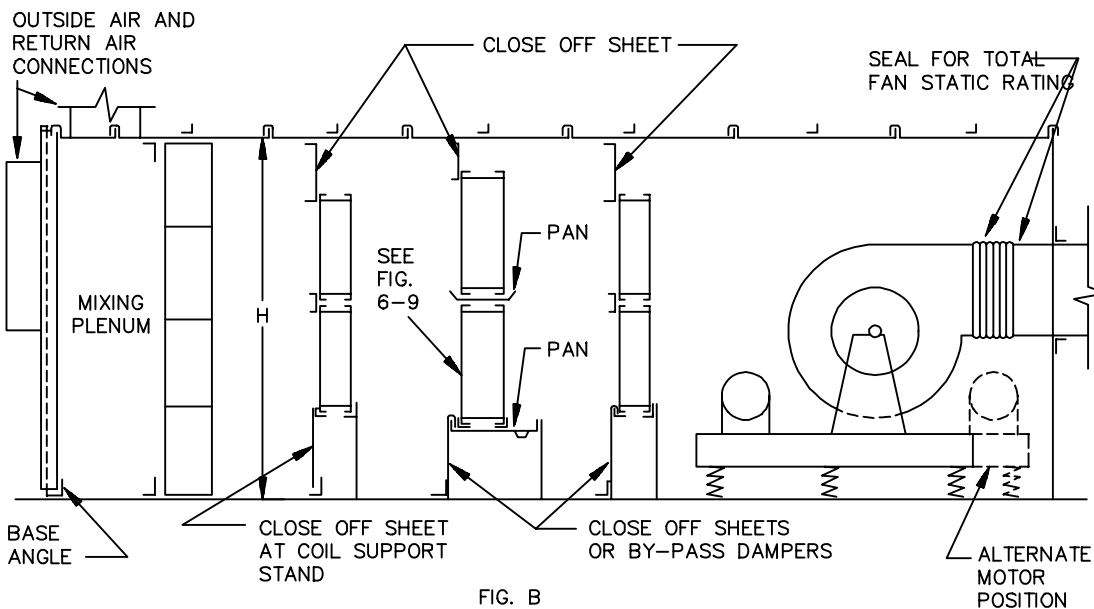


FIG. B

CASING H OR W	GALV.	ALUM.	STEEL ANGLES	STANDING SEAM
TO 4'	20 Ga.	.064	1" x 1" x 1/8"	1"
4' TO 6'	18 Ga.	.080	1" x 1" x 1/8"	1"
6' TO 8'	18 Ga.	.080	1 1/2" x 1 1/2" x 1/8"	1 1/2"
8' TO 10'	18 Ga.	.080	1 1/2" x 1 1/2" x 3/16"	1 1/2"
OVER 10'	16 Ga.	.090	2" x 2" x 3/16"	1 1/2"

MAXIMUM PRESSURE RATING 2" POSITIVE OR 2" NEGATIVE

FIGURE 6-1 BUILT-UP STANDING SEAM CASING

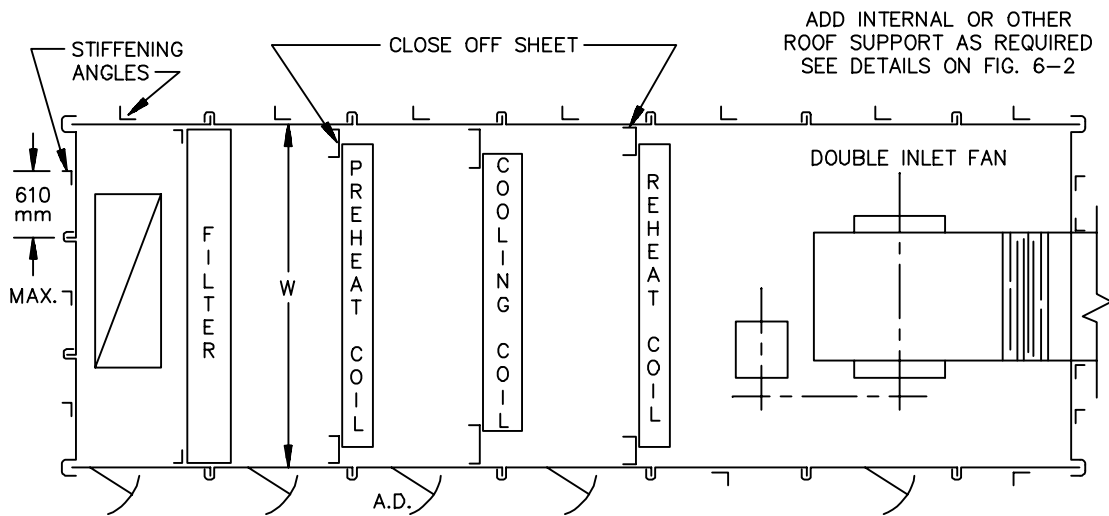


FIG. A

SEE FIG. 6-2 FOR ASSEMBLY DETAIL

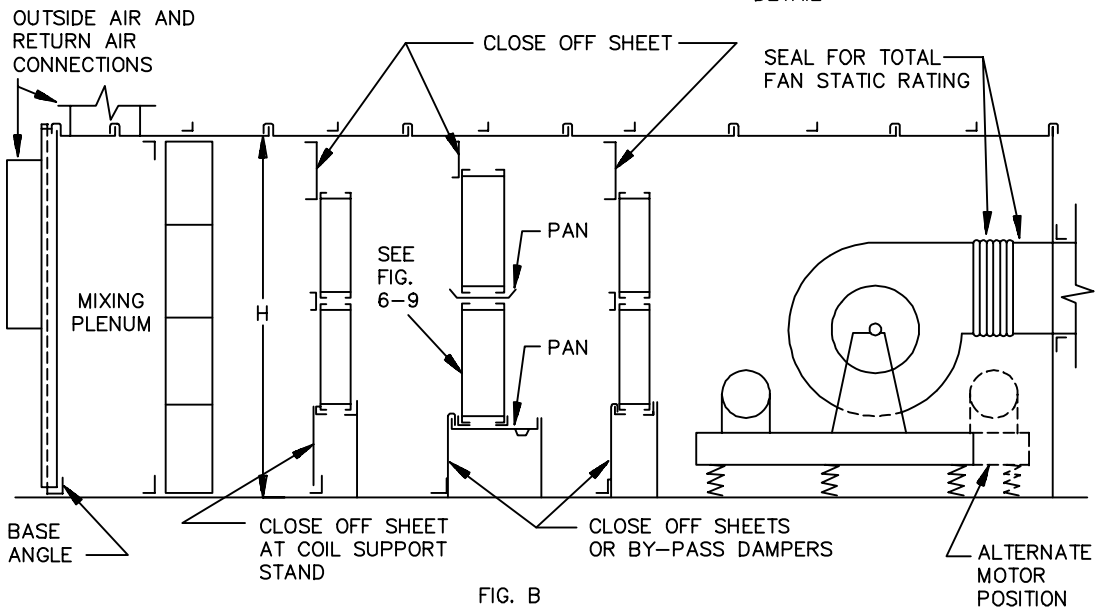


FIG. B

CASING H OR W	GALV.	ALUM.	STEEL ANGLES	STANDING SEAM
TO 1.2 M	1.00 mm	1.60 mm	25 x 25 x 3.2 mm	25 mm
1.2 - 1.8 M	1.31 mm	2.03 mm	25 x 25 x 3.2 mm	25 mm
1.8 - 2.4 M	1.31 mm	2.03 mm	38.1 x 38.1 x 3.2 mm	38.1 mm
2.4 - 3 M	1.31 mm	2.03 mm	38.1 x 38.1 x 4.8 mm	38.1 mm
OVER 3 M	1.61 mm	2.29 mm	51 x 51 x 4.8 mm	38.1 mm

MAXIMUM PRESSURE RATING 500 Pa POSITIVE OR 500 Pa NEGATIVE

FIGURE 6-1M BUILT-UP STANDING SEAM CASING

ALTERNATE ROOF AND CURB CONNECTION DETAILS FOR STANDING SEAM

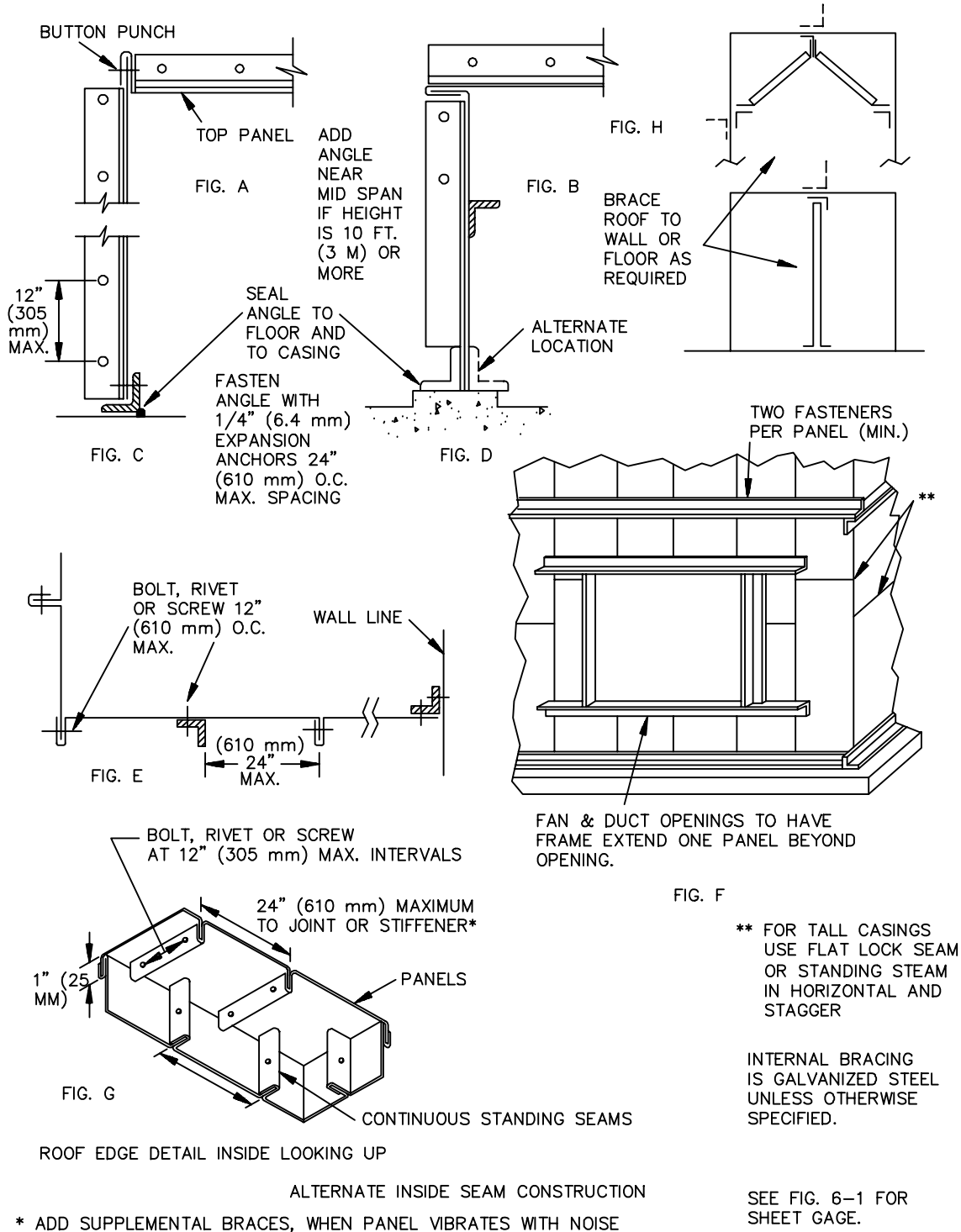
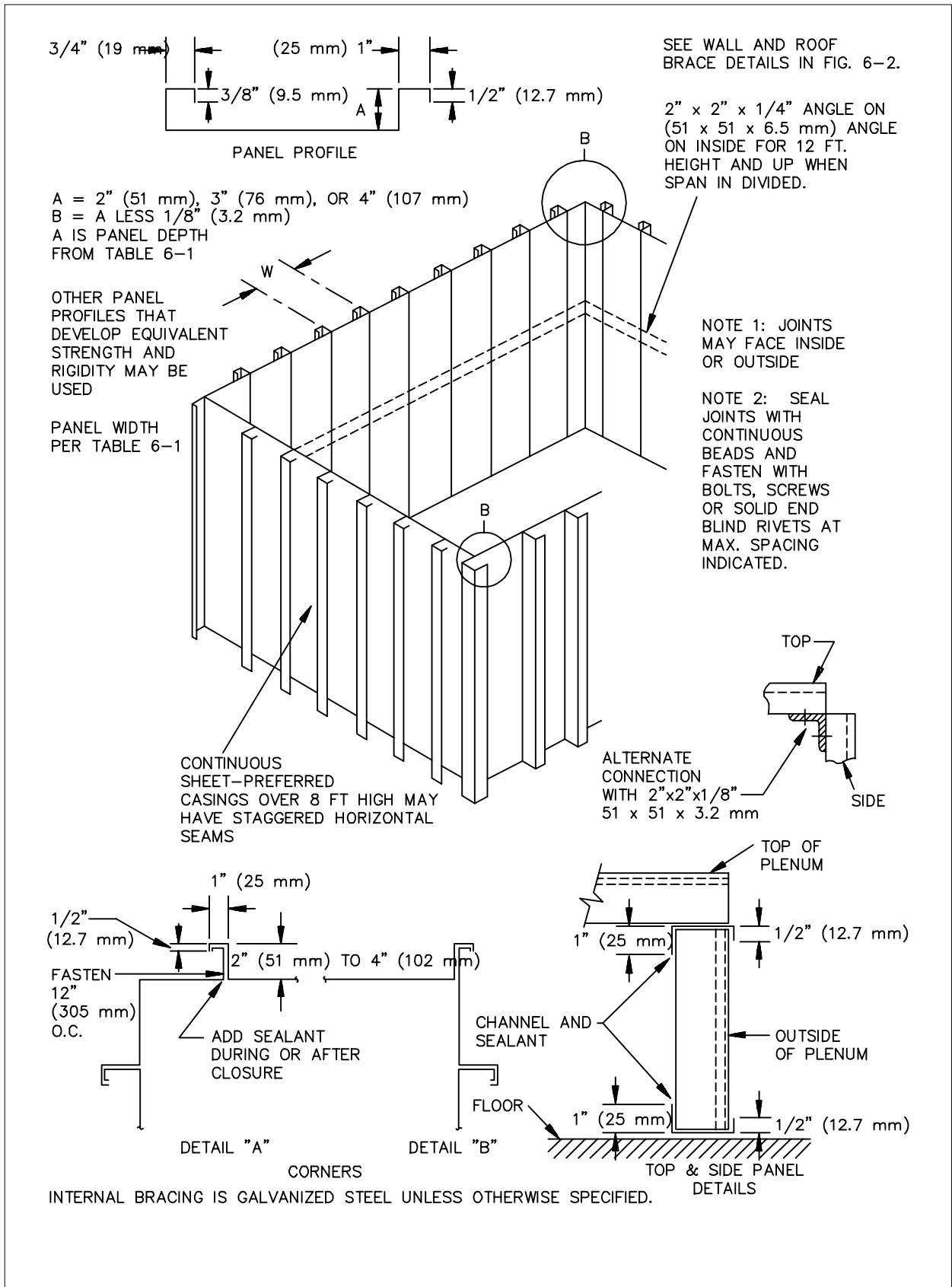


FIGURE 6-2 STANDING SEAM CASINGS



**FIGURE 6-3 ALTERNATE CASING CONSTRUCTION**

**TABLE 6-1  
ALTERNATE CASING PANELS**

**MAXIMUM ALLOWABLE PANEL WIDTH FOR A GIVEN PANEL GAGE, SPAN, AND LOAD CLASS**

Span	Panel Gage	Depth	LOAD CLASS (" wg STATIC)					
			2" (500 Pa)	3" (750 Pa)	4" (1000 Pa)	6" (1500 Pa)	10" (2500 Pa)	
6 Feet (1.8 Meters)	#22 (0.85 mm)	2" (51 mm)	20" (508 mm)	14" (356 mm)	12" (305 mm)	--	--	
	#22	3" (76 mm)	20" (508 mm)	16" (406 mm)	14" (356 mm)	--	--	
	#22	4" (102 mm)	22" (559 mm)	16" (406 mm)	14" (356 mm)	12" (305 mm)	--	
	#20 (1.00 mm)	2"	24" (610 mm)	18" (457 mm)	16" (406 mm)	12" (305 mm)	--	
	#20	3"	24"	20" (508 mm)	18" (457 mm)	14" (356 mm)	--	
	#20	4"	24"	20" (508 mm)	18" (457 mm)	14" (356 mm)	--	
	#18 (1.31 mm)	2"	24"	24" (610 mm)	22" (559 mm)	16" (406 mm)	12" (305 mm)	
	#18	3"	24"	24"	24" (610 mm)	18" (457 mm)	14" (356 mm)	
	#18	4"	24"	24"	24"	20" (508 mm)	14"	
	#16 (1.61 mm)	2"	24"	24"	24"	22" (559 mm)	16" (406 mm)	
	#16	3"	24"	24"	24"	24" (610 mm)	18" (457 mm)	
	#16	4"	24"	24"	24"	24"	18"	
	8 Feet (2.4 Meters)	#22 (0.85 mm)	2" (51 mm)	16" (406 mm)	12" (305 mm)	--	--	--
		#22	3" (76 mm)	18" (457 mm)	14" (356 mm)	12" (305 mm)	--	--
		#22	4" (102 mm)	20" (508 mm)	16" (406 mm)	14" (356 mm)	--	--
#20 (1.00 mm)		2"	20" (508 mm)	16" (406 mm)	12" (305 mm)	--	--	
#20		3"	24" (610 mm)	18" (457 mm)	16" (406 mm)	12" (305 mm)	--	
#20		4"	24"	20" (508 mm)	16" (406 mm)	12" (305 mm)	--	
#18 (1.31 mm)		2"	24"	22" (559 mm)	18" (457 mm)	14" (356 mm)	--	
#18		3"	24"	24" (610 mm)	22" (559 mm)	16" (406 mm)	12" (305 mm)	
#18		4"	24"	24"	22" (559 mm)	18" (457 mm)	12"	
#16 (1.61 mm)		2"	24"	24"	24" (610 mm)	18" (457 mm)	12"	
#16		3"	24"	24"	24"	22" (559 mm)	14" (356 mm)	
#16		4"	24"	24"	24"	22"	16" (406 mm)	
10 Feet 3 Meters		#22 (0.85 mm)	2" (51 mm)	12" (305 mm)	--	--	--	--
		#22	3" (76 mm)	16" (406 mm)	12" (305 mm)	--	--	--
		#22	4" (102 mm)	18" (457 mm)	14" (356 mm)	12" (305 mm)	--	--
	#20 (1.00 mm)	2"	16" (406 mm)	12" (305 mm)	--	--	--	
	#20	3"	22" (559 mm)	16" (406 mm)	12" (305 mm)	--	--	
	#20	4"	24" (610 mm)	18" (457 mm)	14" (356 mm)	--	--	
	#18 (1.31 mm)	2"	24"	18" (457 mm)	14" (356 mm)	--	--	
	#18	3"	24"	22" (559 mm)	18" (457 mm)	14" (356 mm)	--	
	#18	4"	24"	24" (610 mm)	20" (508 mm)	16" (406 mm)	--	
	#16 (1.61 mm)	2"	24"	24"	20" (508 mm)	12" (305 mm)	--	
	#16	3"	24"	24"	24" (610 mm)	18" (457 mm)	12" (305 mm)	
	#16	4"	24"	24"	24"	20" (508 mm)	14" (356 mm)	

NOTES FOR TABLE 6-1:

1. Use table to determine maximum panel width for load class, panel span, and panel gage.
2. - Indicates panel gage not suitable for this load class and span condition.
3. For casings with interior support angle, use larger of spans either side of angle to select panel gage and width.
4. See Fig. 6- 3 for assembly.



**TABLE 6-1 (Continued)  
ALTERNATE CASING PANELS**

MAXIMUM ALLOWABLE PANEL WIDTH FOR A GIVEN PANEL GAGE, SPAN, AND LOAD CLASS								
Span	Panel Gage	Depth	LOAD CLASS (" WG STATIC)					
			2" (500 Pa)	3" (750 Pa)	4" (1000 Pa)	6" (1500 Pa)	10" (2500 Pa)	
12 Feet (3.7 Meters)	#22 (0.85 mm)	3" (76 mm)	14" (356 mm)	--	--	--	--	
	#22	4" (102 mm)	16" (406 mm)	12" (305 mm)	--	--	--	
	#20 (1.0 mm)	2" (51 mm)	14" (356 mm)	--	--	--	--	
	#20	3"	18" (457 mm)	14" (356 mm)	--	--	--	
	#20	4"	22" (559 mm)	16" (406 mm)	12" (305 mm)	--	--	
	#18 (1.31 mm)	2"	20" (508 mm)	14" (356 mm)	--	--	--	
	#18	3"	24" (610 mm)	20" (508 mm)	16" (406 mm)	--	--	
	#18	4"	24" (610 mm)	22" (559 mm)	18" (457 mm)	14" (356 mm)	--	
	#16 (1.61 mm)	2"	24"	18" (457 mm)	14" (356 mm)	--	--	
	#16	3"	24"	24" (610 mm)	22" (559 mm)	16" (406 mm)	--	
	#16	4"	24"	24" (610 mm)	24" (610 mm)	18" (457 mm)	12" (305 mm)	
	14 Feet (4.3 Meters)	#22 (0.85 mm)	3" (76 mm)	12" (305 mm)	--	--	--	--
#22		4" (102 mm)	14" (356 mm)	--	--	--	--	
#22 (1.0 mm)		3"	16" (406 mm)	--	--	--	--	
#20		4"	18" (457 mm)	14" (356 mm)	--	--	--	
#18 (1.31 mm)		2" (51 mm)	12" (305 mm)	--	--	--	--	
#18		3"	22" (559 mm)	16" (406 mm)	12" (305 mm)	--	--	
#18		4"	24" (610 mm)	20" (508 mm)	16" (406 mm)	12" (305 mm)	--	
#16 (1.61 mm)		2"	26"	--	--	--	--	
#16		3"	24"	22" (559 mm)	18" (457 mm)	12" (305 mm)	--	
#16		4"	24"	24" (610 mm)	22" (559 mm)	16" (406 mm)	--	
16 Feet (4.9 Meters)		#22	4" (102 mm)	12" (305 mm)	--	--	--	--
		#20	3" (76 mm)	12" (305 mm)	--	--	--	--
	#20	4"	16" (406 mm)	12" (305 mm)	--	--	--	
	#18	3"	18" (457 mm)	12" (305 mm)	--	--	--	
	#18	4"	24" (610 mm)	18" (457 mm)	14" (356 mm)	--	--	
	#16	3"	24"	16" (406 mm)	12" (305 mm)	--	--	
	#16	4"	24"	24" (610 mm)	18" (457 mm)	14" (356 mm)	--	
	18 Feet (5.5 Meters)	#20	4" (102 mm)	14" (356 mm)	--	--	--	--
#18		3" (76 mm)	12" (305 mm)	--	--	--	--	
#18		4"	22" (559 mm)	14" (356 mm)	--	--	--	
#16		3"	16" (406 mm)	--	--	--	--	
#16		4"	24" (610 mm)	20" (508 mm)	14" (356 mm)	--	--	

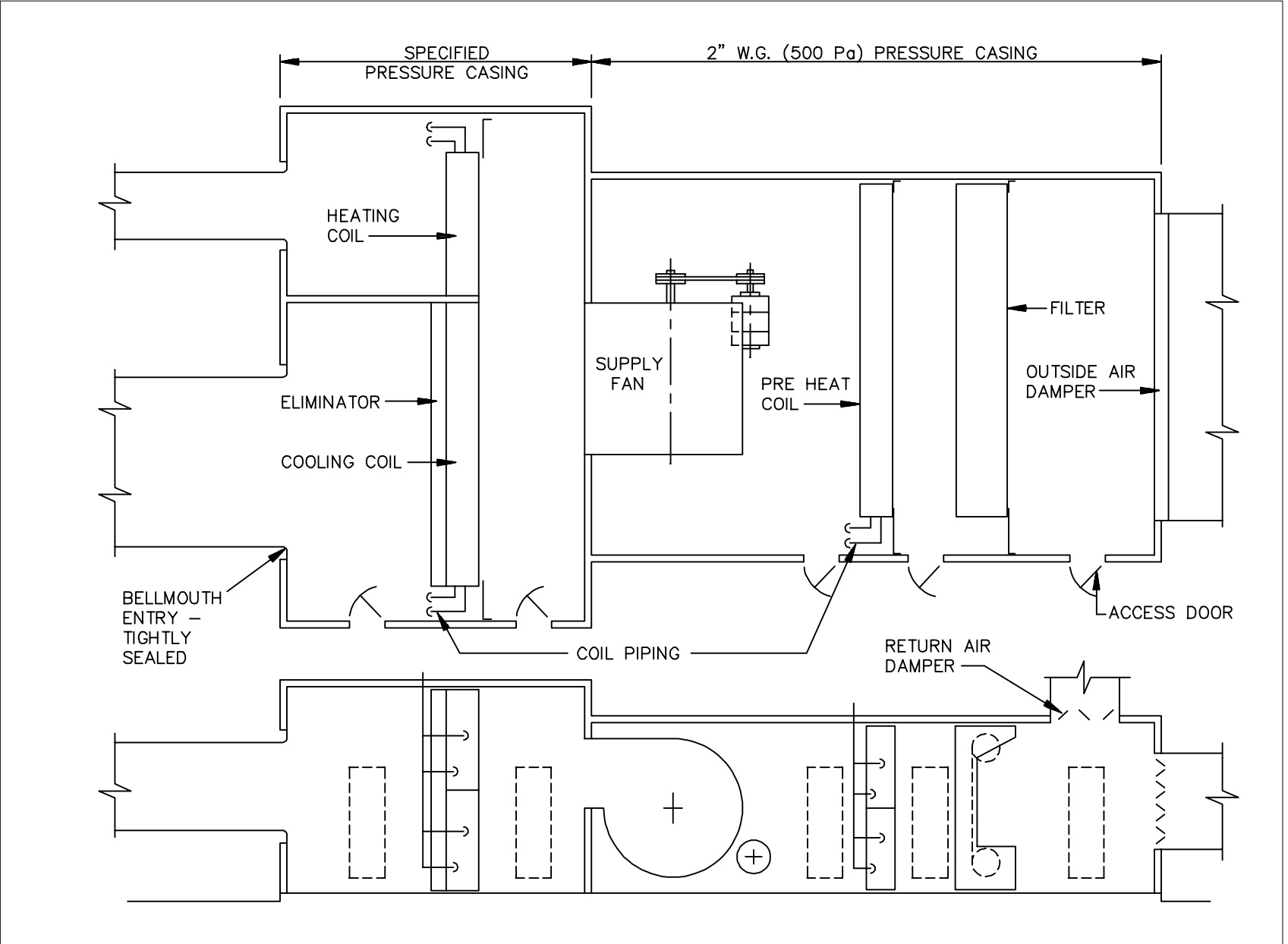
NOTES FOR TABLE 6-1:

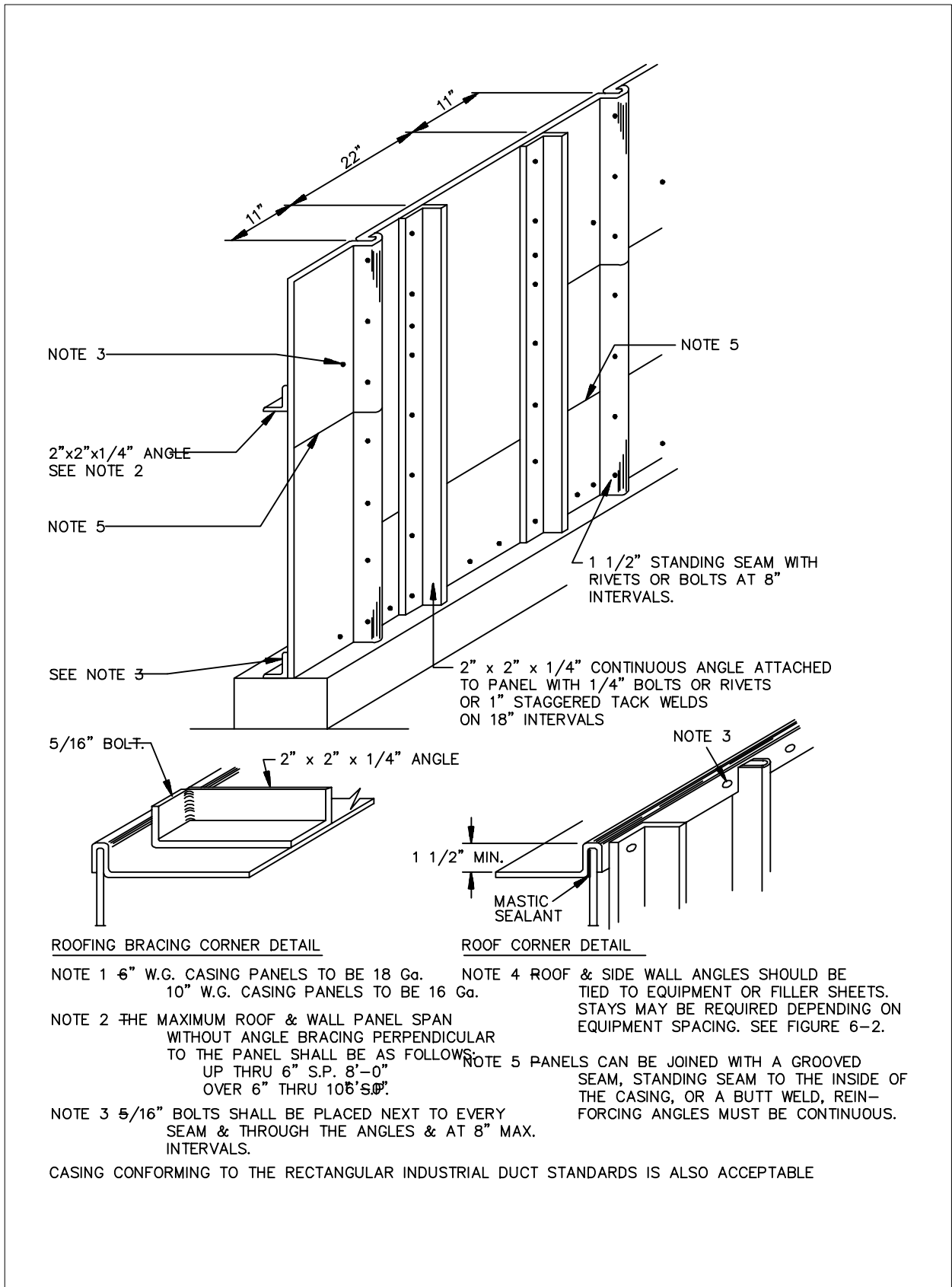
- Use table to determine maximum panel width for load class, panel span, and panel gage.
- Indicates panel gage not suitable for this load class and span condition.
- For casings with interior support angle, use larger of spans either side of angle to select panel gage and width.
- See Fig. 6- 3 for assembly.





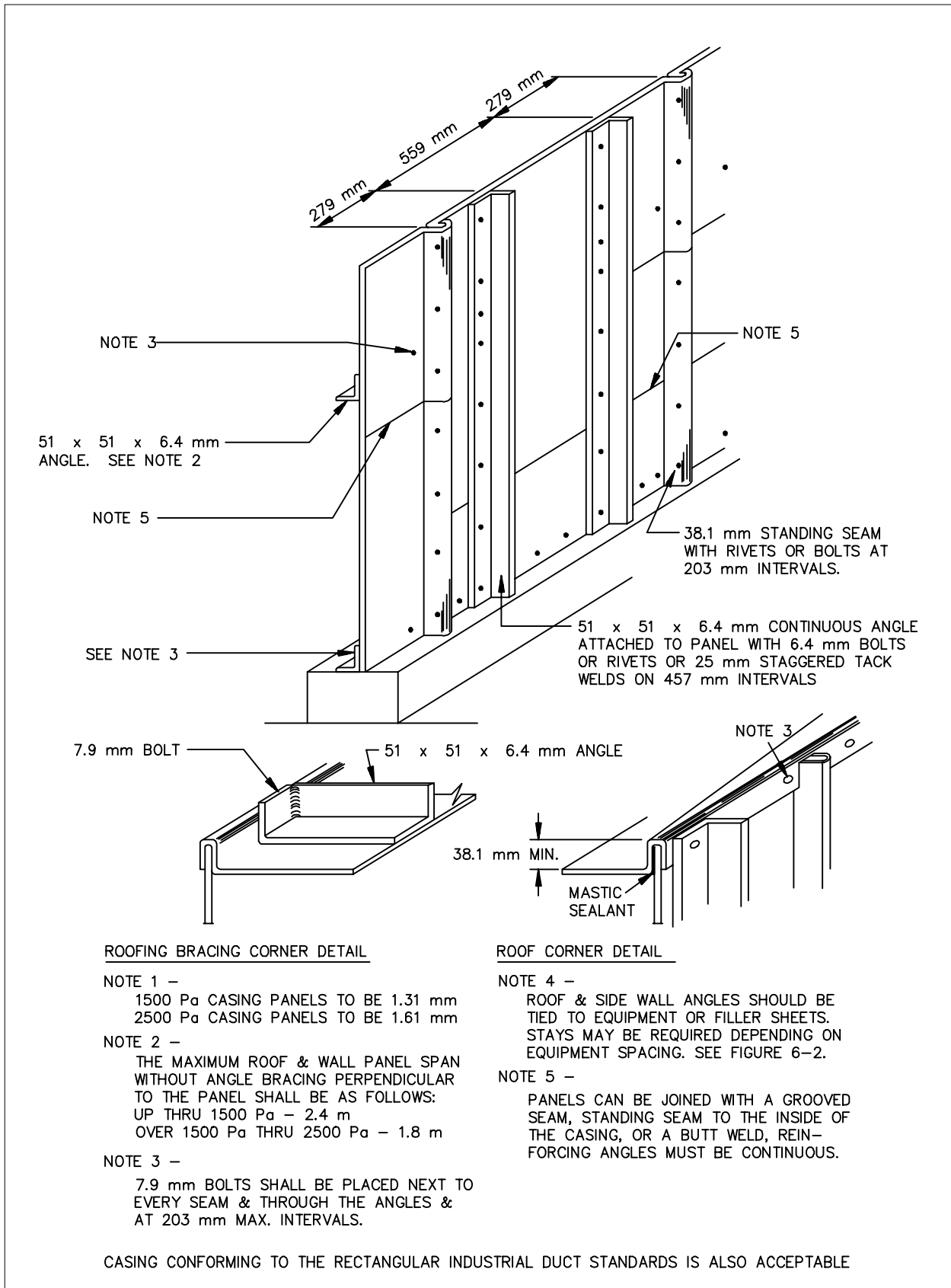
FIGURE 6-4 OVER 2" WG CASING ARRANGEMENT



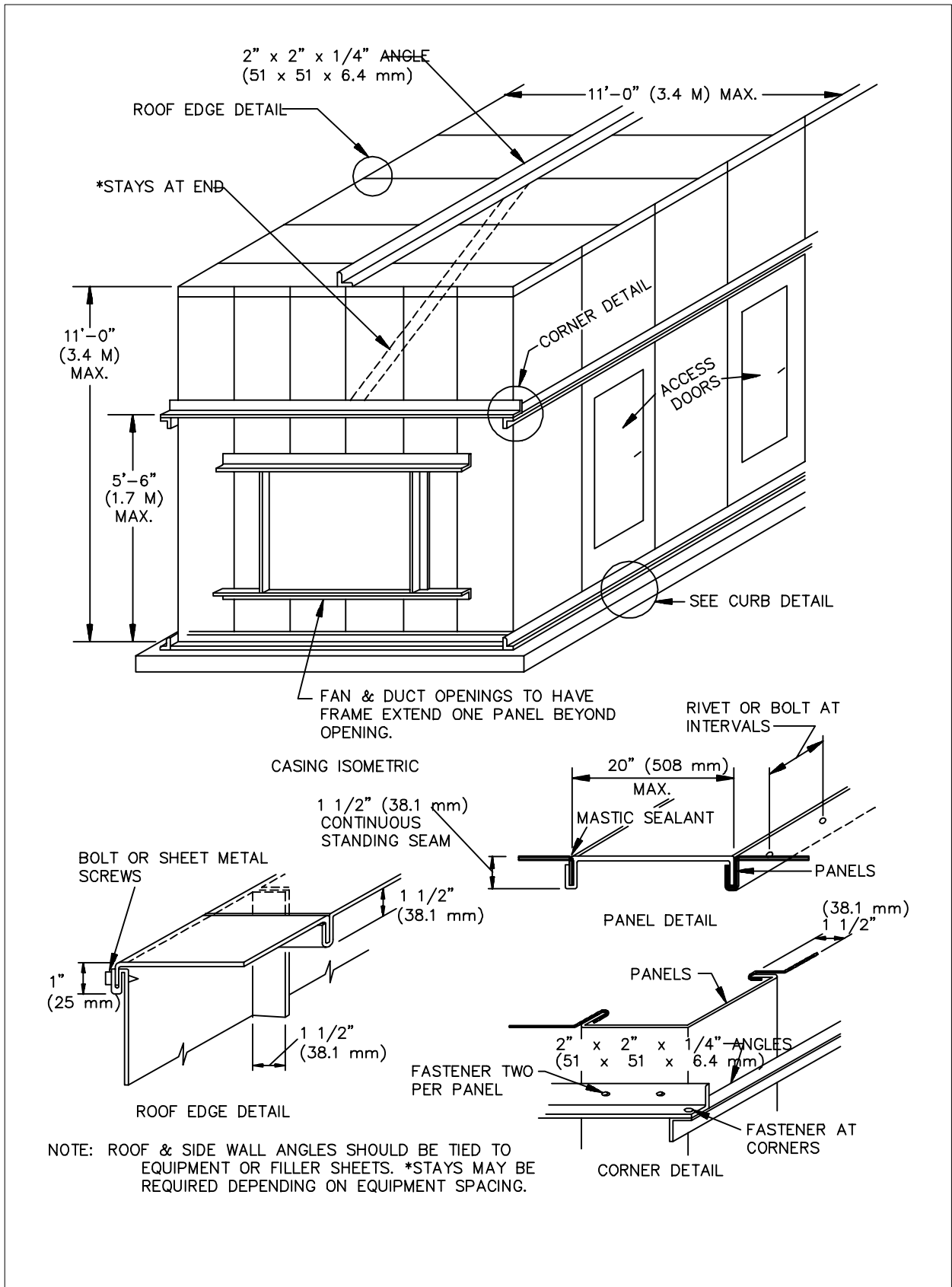


**FIGURE 6-5 OVER 2" WG PRESSURE APPARATUS CASING**



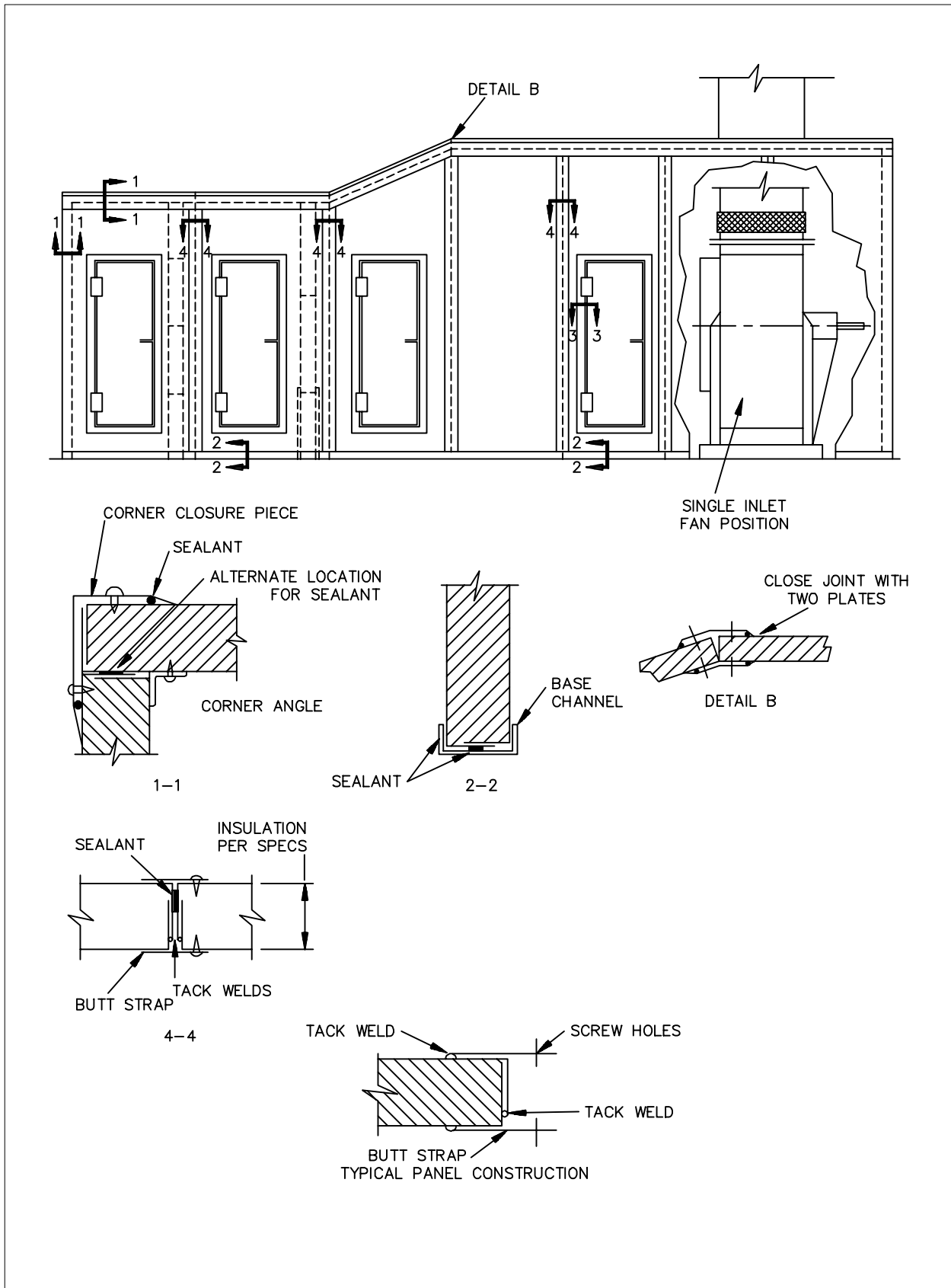


**FIGURE 6-5M OVER 500 PA PRESSURE APPARATUS CASING**

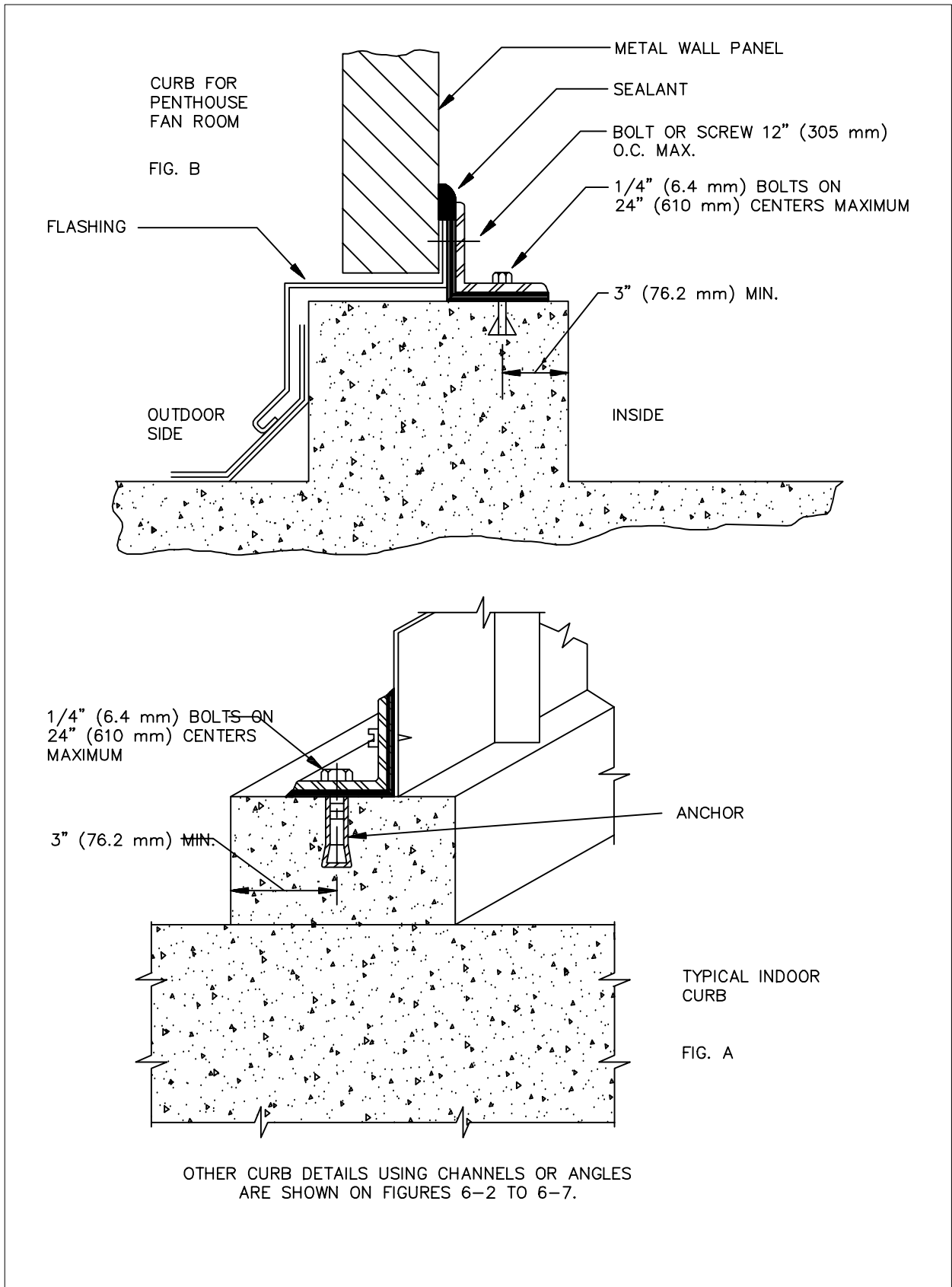


**FIGURE 6-6 INSIDE SEAM CASING — 6" WG (1500 PA) MAX.**

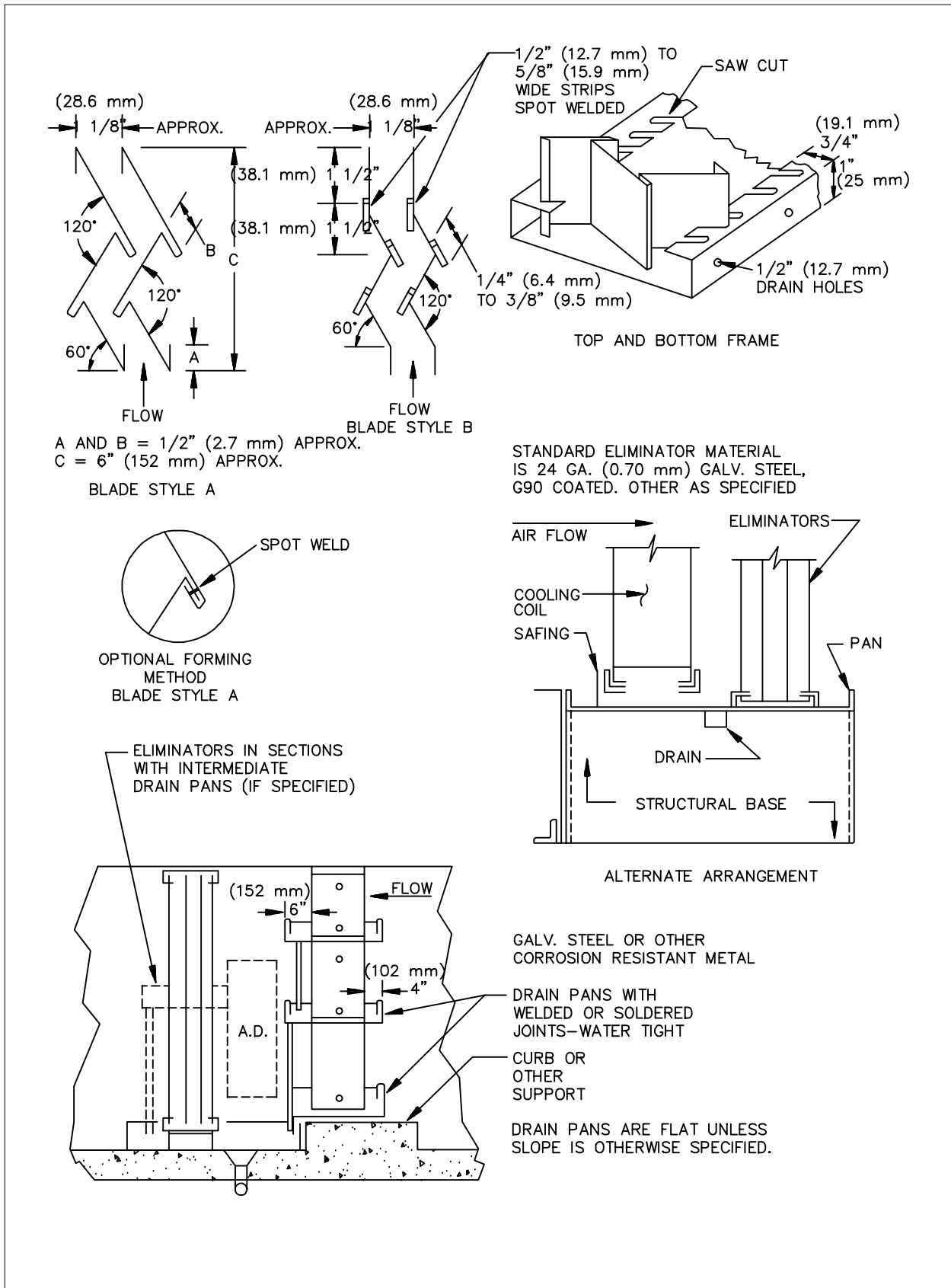




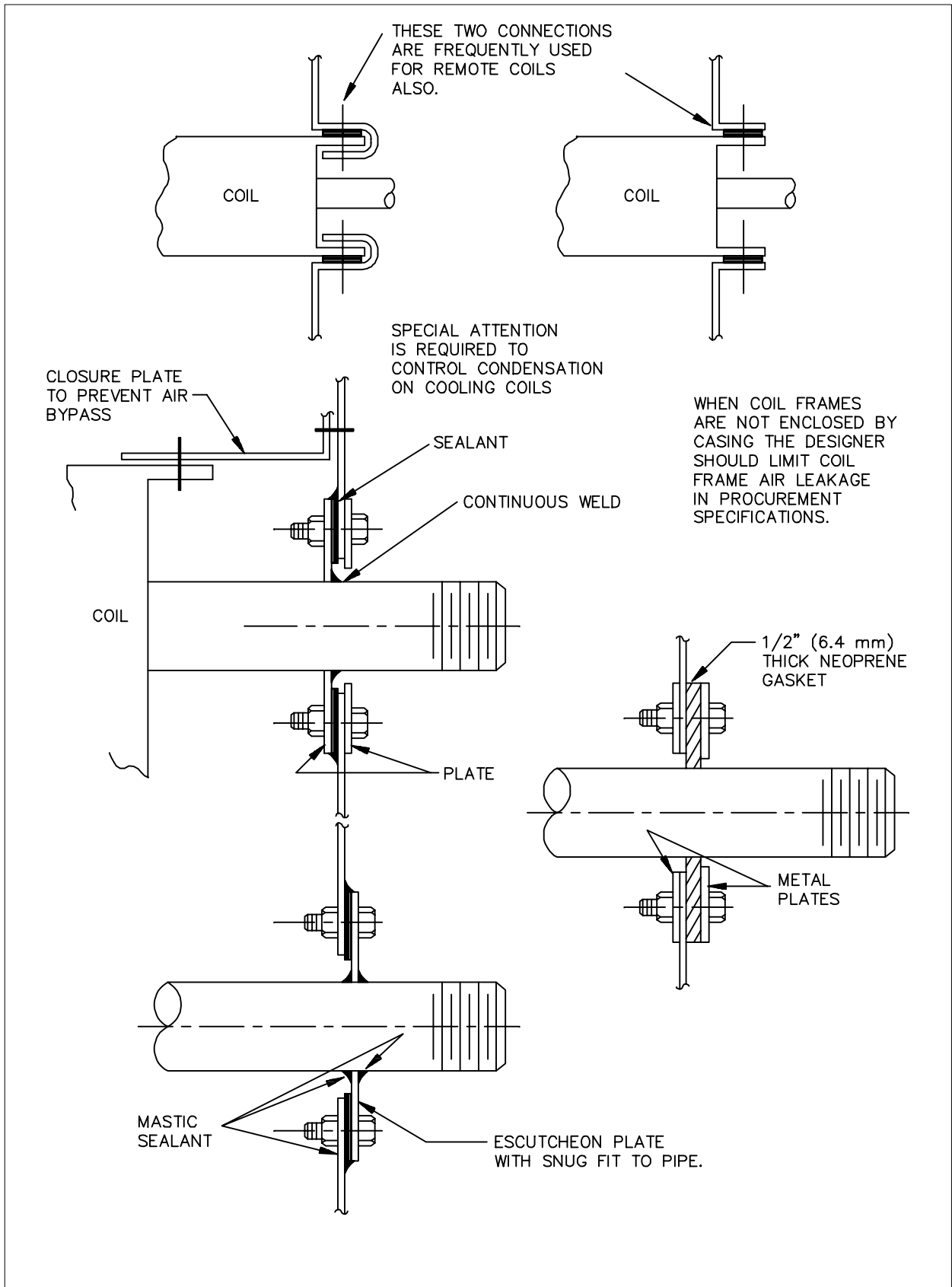
**FIGURE 6-7 DOUBLE WALL CASING**



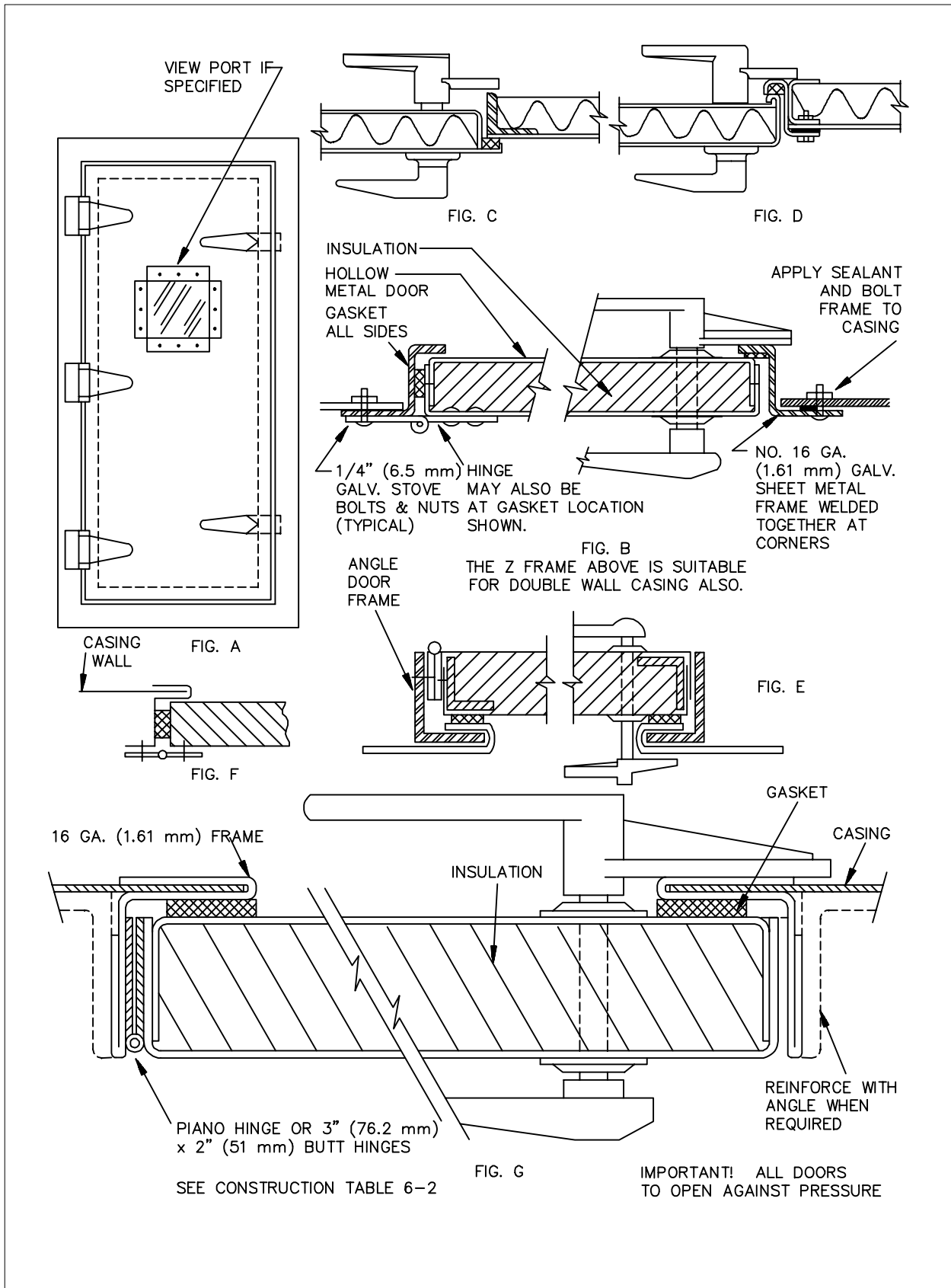
**FIGURE 6-8 CURB DETAIL**



**FIGURE 6-9 ELIMINATORS AND DRAIN PANS**



**FIGURE 6-10 PIPE PENETRATIONS OF CASINGS**



**FIGURE 6-11 CASING ACCESS DOORS — 2" WG (500 PA)**

<b>TABLE 6- 2 PLENUM AND CASING ACCESS DOORS - 2" wg</b>						
<b>Door Size</b>	<b>No. Hinges *</b>	<b>No. Handles</b>	<b>GAGE</b>			<b>Insulation (if req'd)</b>
			<b>Door</b>	<b>Back</b>	<b>Frame</b>	
72" x 18" up	4	3	20	22	1 1/2" x 1 1/2" x 1/8"	1"
57" x 18" up	3	2	22	24	16 ga.	1"
45" x 18" up	3	2	22	24	16 ga.	1"
36" x 18" up	3	2	22	24	16 ga.	1"

See Fig. 2- 12 for other construction details that may be suitable for small doors.

\* Continuous piano hinge is optional.

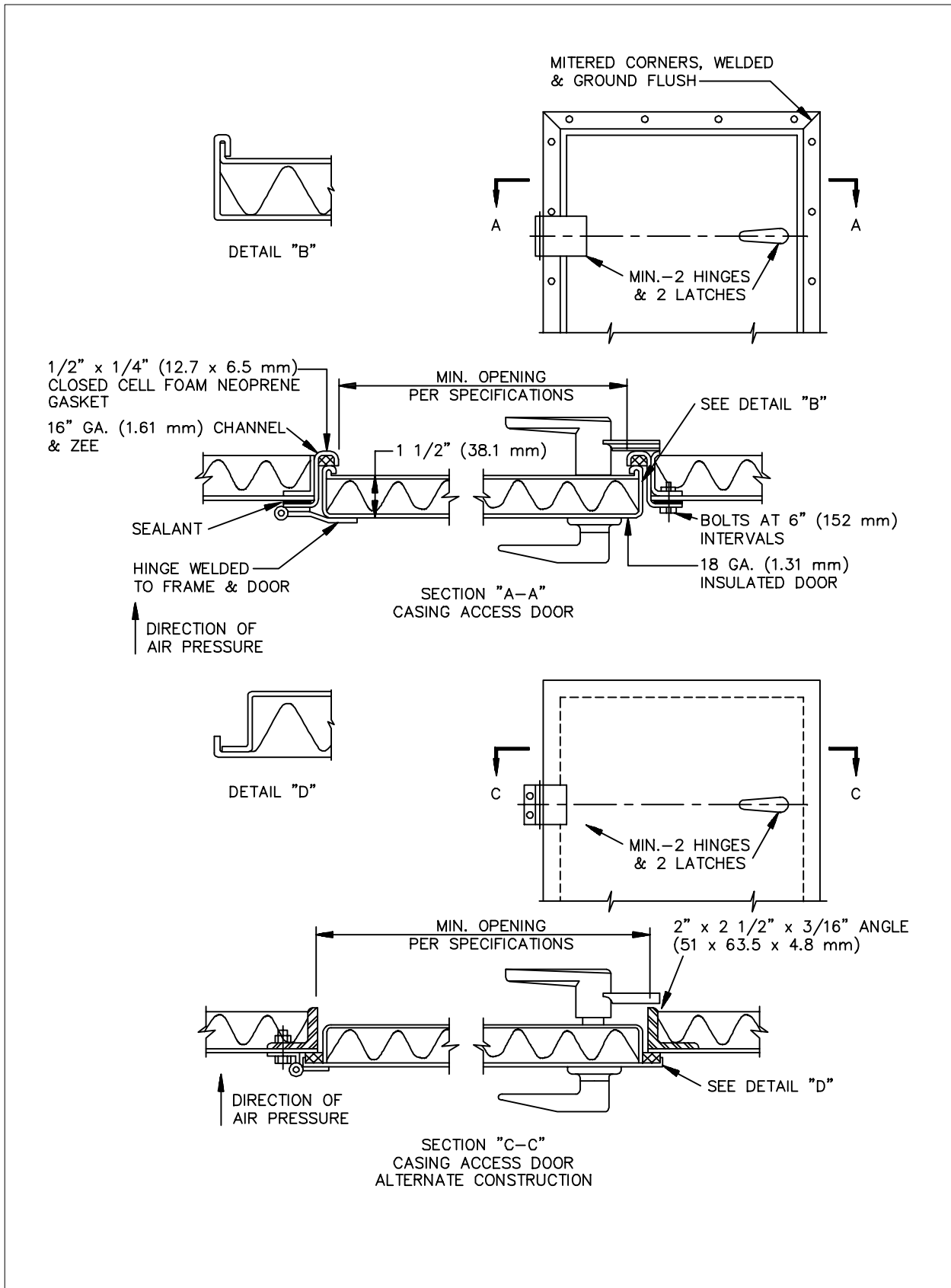
<b>TABLE 6- 2M PLENUM AND CASING ACCESS DOORS - 500 Pa</b>						
<b>Door Size (mm)</b>	<b>No. Hinges *</b>	<b>No. Handles</b>	<b>GAGE (mm)</b>			<b>Insulation (if req'd) (mm)</b>
			<b>Door</b>	<b>Back</b>	<b>Frame</b>	
1800 x 450	4	3	1.00	0.85	38.1 x 3.2	25.4
1450 x 450	3	2	0.85	0.70	1.61	25.4
1150 x 450	3	2	0.85	0.70	1.61	25.4
900 x 450	3	2	0.85	07.0	1.61	25.4

See Fig. 2- 12 for other construction details that may be suitable for small doors.

\* Continuous piano hinge is optional.







**FIGURE 6-12 CASING ACCESS DOORS — 3-10" WG (750-2500 PA)**

## 6.2 COMMENTARY

### 6.3 CASING ARRANGEMENT

Casings should be built in a rectangular box shape. Tapered sides and roofs should be avoided primarily because of the difficulty in developing adequate strength and air tightness at the joints. In theory, the tapered casings conserve energy and facilitate uniform air distribution. However, as a practical matter, the tapers required for ideal expansion or contraction are such that there is seldom enough space to accommodate them in typical equipment rooms.

Several alternative constructions are illustrated. The contractor is obligated to select and use these construction details or their equivalent to satisfy the pressure level designated by the designer.

Therefore, all details such as bracing, curb connections, roof and sidewall connections, access doors, etc., must be carefully constructed to carry their share of the load.

CASING ASSEMBLY DETAILS SHOWN ARE NOT THE ONLY SATISFACTORY METHODS. OTHER TECHNIQUES ARE EQUIVALENT OR SUPERIOR. AUTHORITIES SHOULD JUDGE ALTERNATIVES ON THE BASIS OF ACCEPTABLE EVIDENCE.

#### 6.3.1 Single Thickness Wall Construction

Single wall casings may be constructed from continuous standing seam reinforced panels or one of the alternative constructions. The same gage of metal is used on all sides. Galvanized steel is standard sheet material. Black iron stiffeners are standard.

#### 6.3.2 Double Thickness Wall Construction

Double-wall, factory- or shop-insulated casings are fabricated in a variety of types and thicknesses by specialized producers. Some offer acoustical control through a perforated inner liner.

There are so many possible variations of the double-wall casing construction that it is impractical to detail them in this manual. If a contractor wants to fabricate this type of casing, it is suggested that strength of the panels be determined by structural calculations or pressure tests on mock-ups. Particular attention

should be given to the design of airtight joints for panels with perforated liners.

A cubic foot (28.32 L) of water weighs approximately 62.4 lbs. (28.3 Kg). A one-inch (25 mm)- high column of water exerts a pressure of 1/1728 of 62.4 (28.3 Kg) or .361 lbs. (1.64 Kg) on one square inch (645 mm<sup>2</sup>). On one square foot (0.0929 m<sup>2</sup>) the load is 1/12 of 62.4 (28.3 Kg) or 5.2 lbs. (2.36 Kg). The following table relates static pressure to pounds per square foot:

<b>Static Pressure</b>		
<b>(in.)</b>	<b>(Pa)</b>	<b>psf</b>
1" water gage	(250)	5.2
2" water gage	(500)	10.4
3" water gage	(750)	15.6
4" water gage	(1000)	20.8
6" water gage	(1500)	31.2
8" water gage	(2000)	41.6
10" water gage	(2500)	52.0

1" water gage is 0.036 psi (0.25 KPa).  
1 psi is 27.69" wg (6,9234 Pa)

#### 6.3.3 Anchorage

Casings are normally set on a 4 to 6 inch high (102 to 152 mm) concrete curb to facilitate housekeeping and also to contain any water which may leak from the coils or eliminators. The concrete curbs are normally poured on top of the finished floor. In order to prevent the forces on the casing walls from shearing off the curb, the curb should be securely doweled to the floor. If the floor is waterproofed, the curb should be doweled through the waterproof membrane into the structural slab.

#### 6.3.4 Casing Access Doors

Unless required to permit replacement of larger equipment such as a fan motor, duct access door size should be limited to approximately 20 inches (508 mm) wide by 54 inches (1372 mm) high. This is an adequate size for personnel and most equipment. Larger doors should be avoided since they break the continuity of the wall reinforcing. **DOORS SHOULD OPEN AGAINST THE AIR PRESSURE.** This arrangement utilizes the air pressure rather than the door latches to force the door against the sealing gasket.



### **6.3.5 Joint Sealing**

All joints, seams, and connections should be sealed. Sealing is equally important on suction and discharge sides of the fan. Gasketing may suffice for some assemblies.

Leakage testing of casing is not routinely practical. Attention to workmanship and inspection of the pressurized installation will normally suffice for airtightness.

### **6.3.6 Drainage**

Drainage facilities must be provided in the coil and eliminator sections of the casing to handle condensation on the cooling coil.

Conventional drains without deep seal traps will not give satisfactory performance. Drainage may be directly into the sewer system through a floor drain in the casing, or indirectly through the casing curb to an exterior floor drain. In either case, THE DRAIN LINE MUST BE PROVIDED WITH A WATER SEAL AT LEAST 2 INCHES (51 mm) GREATER THAN THE MAXIMUM STATIC PRESSURE IN THE CASING.

### **6.3.7 Piping Penetrations**

If space is available, water and steam coil connections should be manifolded inside the casing to minimize

the number of penetrations through the casing walls. Piping penetrations must be carefully sealed, especially on chilled water piping because any leakage will force condensation along the pipe insulation.

### **6.3.8 Low Pressure Casing Protection**

The casing up to the suction side of the fan is normally constructed as a conventional low-pressure casing.

If the fan and the return and fresh air damper controls are not properly synchronized, it is possible that the high velocity supply fans will exert an extreme negative static pressure on the low pressure casings. It is not necessary to build these casings to withstand these unusual pressures. However, the fan and damper controls must be carefully coordinated so that it is impossible for such a negative pressure condition to occur. Safety relief panels or dampers may be designed into the system to prevent damage.

CONTRACTORS SHOULD BE PARTICULARLY AWARE OF THE POTENTIAL DAMAGE WHICH CAN BE CAUSED BY IMPROPER MANIPULATION OF THE DAMPER CONTROLS DURING CONSTRUCTION AND INITIAL START-UP.

THE OUTSIDE AIR OR RETURN AIR DAMPER SHOULD BE BLOCKED OPEN UNTIL THE AUTOMATIC CONTROL SYSTEM IS PUT INTO OPERATION AND PROPERLY ADJUSTED.

**CHAPTER 7**

**FUNCTIONAL CRITERIA**

## 7.1 FUNCTIONAL CRITERIA FOR DUCTS

### 7.2 RECTANGULAR DUCTS

SMACNA has conducted testing and analysis of galvanized steel ducts of gages up to 96" in size, between 28 (0.48 mm) and 16 (1.61 mm) in size, inclusive, at static pressure levels ranging from 0.1" wg (25 Pa) to 10" wg (2500 Pa). Tests were conducted in both positive and negative pressure modes. The study recorded pressure, deflection, and other duct element behavior. It concluded that the structural behavior of duct in the tested ranges of gages and size up to 96" (2438 mm) is reasonably predictable in terms of pressure, deflection, metal thickness, and stiffener spacing. Committees conclude that the functional criteria previously used are valid with some new provisions for tolerances. The general performance criteria for ducts is reviewed on page 1–3 and outlined in 7.3.1.

The criteria used by SMACNA in its test program and in development of new duct tables is as follows.

#### 1. SHEET

The sheet must resist both deflection caused by internal pressure and vibration due to turbulent air flow. Because space is a limiting factor, and there is a need to maintain an approximately rectangular cross section, sheet deflections for ducts were limited as listed in Figure 7–1.

The current test program did not include vibration analysis. A discussion of vibration parameters follows in this chapter. Commentary also appears with Table 1–1 and in the notes for Tables 1–3 to 1–13. It was concluded that the limited risk of an occasional problem is preferable to postponing use of multiple sheet gages until the boundaries of stability can be completely defined.

Crossbreaking or beading of unbraced duct sides larger than certain dimensions is effective in dealing with commercial tolerances on out-of-flatness, natural sag from dead weight, and with the flexure reversals that may result when duct pressure is inadequate to stretch the sheet taut. If pressure does not produce a taut sheet, vibration may result. Beading is considered as effective as crossbreaking, but formation of a suitable bead requires adjustment for each sheet thickness. Criteria for crossbreaking or beading is given in Figure 1- 8. **NEITHER IS A SUBSTITUTE FOR REINFORCEMENT.**

The provisions for flexure control do not eliminate rumble during start-up and shutdown. Lagging or other measures must be designed if rumble is to be eliminated.

#### 2. REINFORCING

The reinforcing members must restrain the deflection of the sheet and must resist their own deflection. The maximum allowable deflection of the duct reinforcing members is 0.25 in. (6.4 mm) at operating pressure.

#### 3. SEAMS

Longitudinal seams must be able to withstand 1.5 times the maximum operating pressure without deformation or failure.

#### 4. JOINTS

Transverse joints must be able to withstand 1.5 times the maximum operating pressure without failure. Where a transverse joint acts as a reinforcing member, its maximum allowable deflection is 0.25 in. (6.4 mm) at maximum operating pressure.

#### 5. BEAM STRENGTH OF DUCT SECTION

A duct section between adjacent hangers must be able to carry its own weight and to resist external loads for which it is constructed. The joints and sheets listed in the current construction tables are not specifically designed to support the weight of a person. The support systems are not qualified for supplemental loads either.

#### 6. LEAKAGE

See Table 1–2 and the discussion of leakage in relation to pressure level. Even high-pressure ducts are not absolutely airtight. Careful selection of closure methods can ensure adequate performance. However, designers must consider that even slight leakage may cause bulges in an airtight, flexible skin that encloses a positive pressure duct.

Leakage is primarily a function of the static pressure differential. It is independent of joint orientation and of velocity levels of 2000 fpm (11.6 mps) and less. Rectangular longitudinal seam leakage for Pittsburgh and snaplock seams is low compared to that in transverse joints.

#### 7.3 COMMENTARY

Because the tables are derived from test data averages, construction conforming to Tables 1–3 to 1–9



will not always limit deflections of sheets and stiffeners to the stated levels. Also, crossbreaks establish an initial deflection which, when added to that generated by pressure, may result in sheet deflections slightly more than the limits discussed.

Furthermore, the ability of a reinforcing member to perform its function is critically affected by the location and adequacy of its attachment to the duct. These variables change with the negative pressure and positive pressure modes.

### 7.3.1 General Requirements for All Ducts

A duct system is an assembly whose primary function is to convey air between specified points. In fulfilling this function, the duct assembly must perform satisfactorily with regard to certain fundamental performance characteristics. Elements of the assembly are sheets (duct envelope), reinforcement, seams, and joints. With regard to the duct assembly and its elements, theoretical and/or practical limits must be established for:

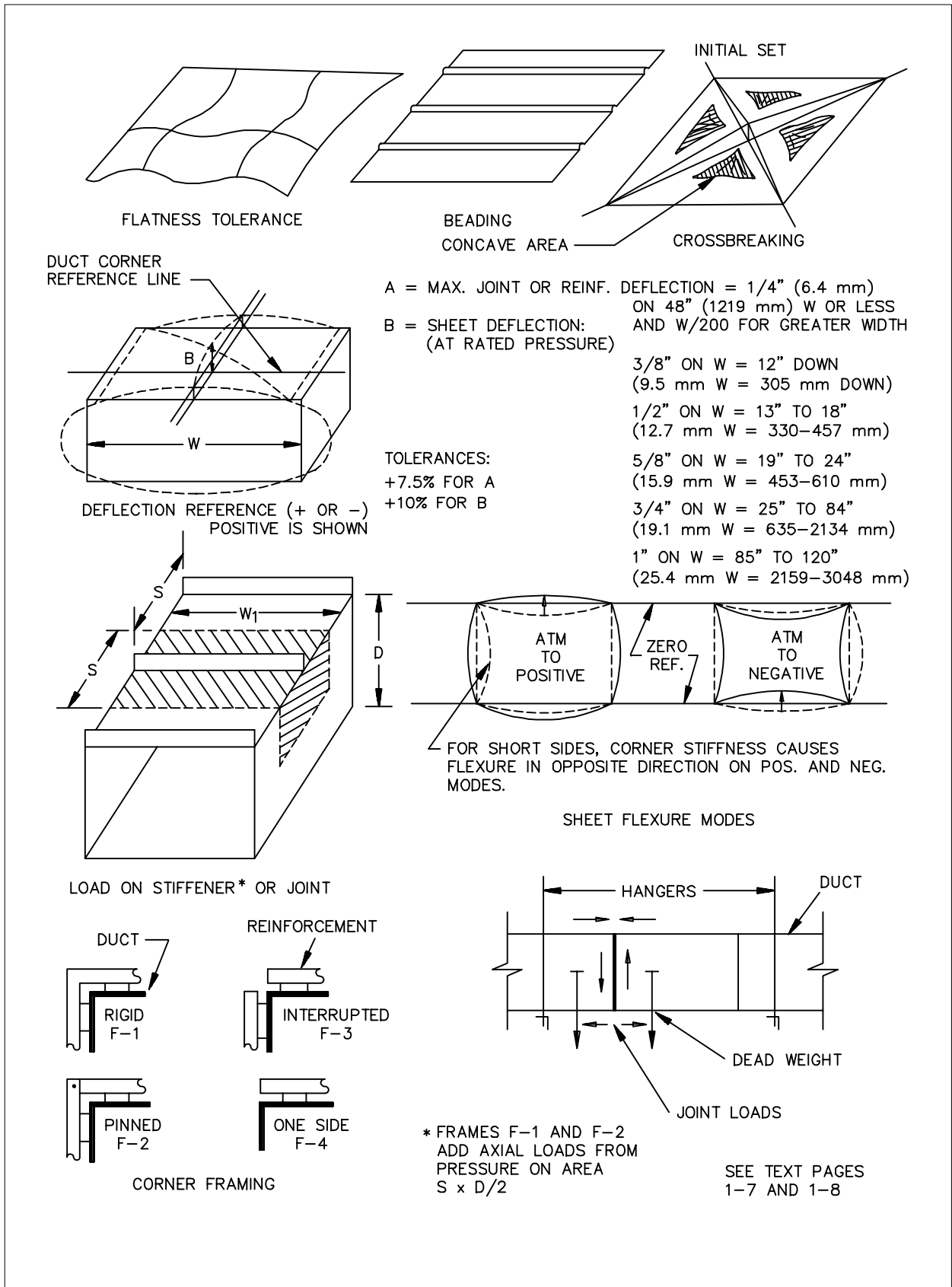
1. Dimensional stability deformation and deflection.
2. Leakage.

3. Vibration.
4. Noise generation and transmission.
5. Exposure to damage from the rigors of handling and transportation, weather, temperature extremes, flexure cycles, chemical corrosion, or other in-service conditions.
6. Support (including supplemental loads, if any).
7. Impact loading such as conditions of fire, earthquake, or sudden stoppage of the moving air stream.

In establishing limitations for these factors, consideration must be given to the effects of the pressure differential across the duct wall, airflow friction losses, air velocities, infiltration or exfiltration, as well as the inherent strength characteristics of the duct components. Construction methods that economically achieve the predicted and desired performance must be determined.

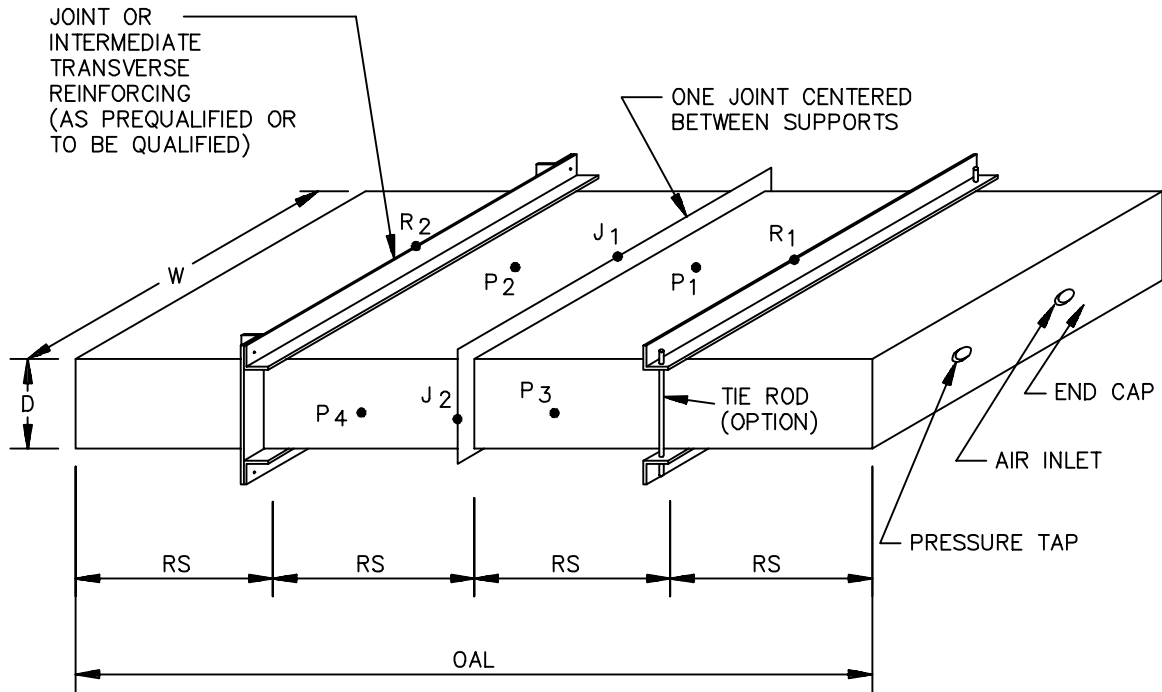
Selected specific performance requirements for rectangular, round and flat-oval ducts are codified in SMACNA Duct Performance Test Standard No. DPTS-1995.





**FIGURE 7-1 MODELS FOR FUNCTIONAL STANDARDS**

THE NUMBER OF POINTS OF DEFLECTION MEASUREMENT DEPENDS ON THE ITEM TO BE QUALIFIED. POINTS P<sub>1</sub> TO P<sub>4</sub> ARE PANEL CENTERS. J<sub>1</sub> AND J<sub>2</sub> ARE JOINT CENTERS. R<sub>1</sub> AND R<sub>2</sub> ARE JOINT INTERMEDIATE REINFORCEMENT CENTERS. WHEN TIE RODS ARE AT R<sub>1</sub>, R<sub>2</sub>, J<sub>1</sub>, J<sub>2</sub>, ETC., DEFLECTIONS SHALL BE MEASURED AT THESE POINTS AND BETWEEN THEM AND THE DUCT CORNERS.



END CAPS SHALL NOT INFLUENCE POINTS OF MEASUREMENT FOR WHICH QUALIFICATION IS BEING INVESTIGATED.

RECTANGULAR DUCT		
JOINT SPACING	REINFORCEMENT BETWEEN JOINTS	OVERALL LENGTH
ANY	NONE	4 x Jt SPACING
ANY	YES	4 x RS SPACING
NONE*	NONE	10 W

\* END CAPS ONLY

IT IS SUGGESTED THAT  $D = \frac{W}{2}$  W, OR  $\frac{W}{4}$  AND THAT PANEL WIDTH TO SPACING RATIOS OF 0.5:1, 1:1 AND 2:1 BE INVESTIGATED.

**FIGURE 7-2 TEST DUCT CONFIGURATION**



LOCATE DIAL GAGE IN CENTER OF SPAN FOR ELEMENTS WITHOUT TIE RODS.  
 IF TIE RODS ARE USED, DETERMINE THE POINT OF MAXIMUM DEFLECTION  
 BY TRIAL & ERROR MEASUREMENT. CENTER POINT OF DIAL GAGE OVER  
 POINT OF MAXIMUM DEFLECTION.

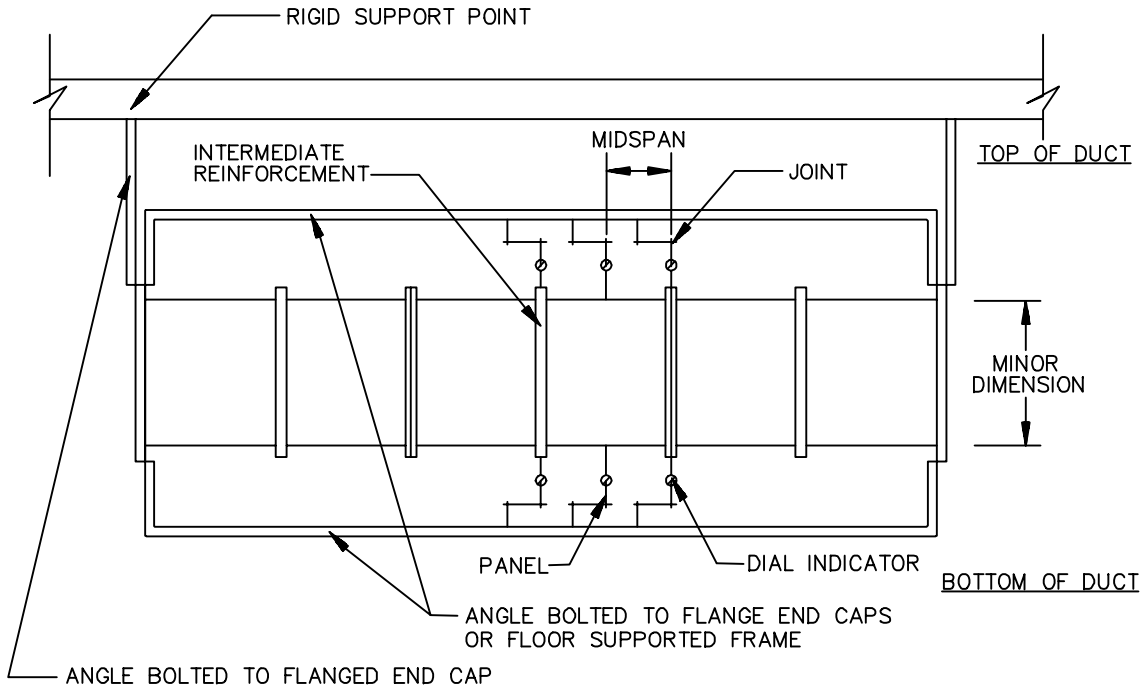


FIG. A DEFLECTION MEASUREMENTS

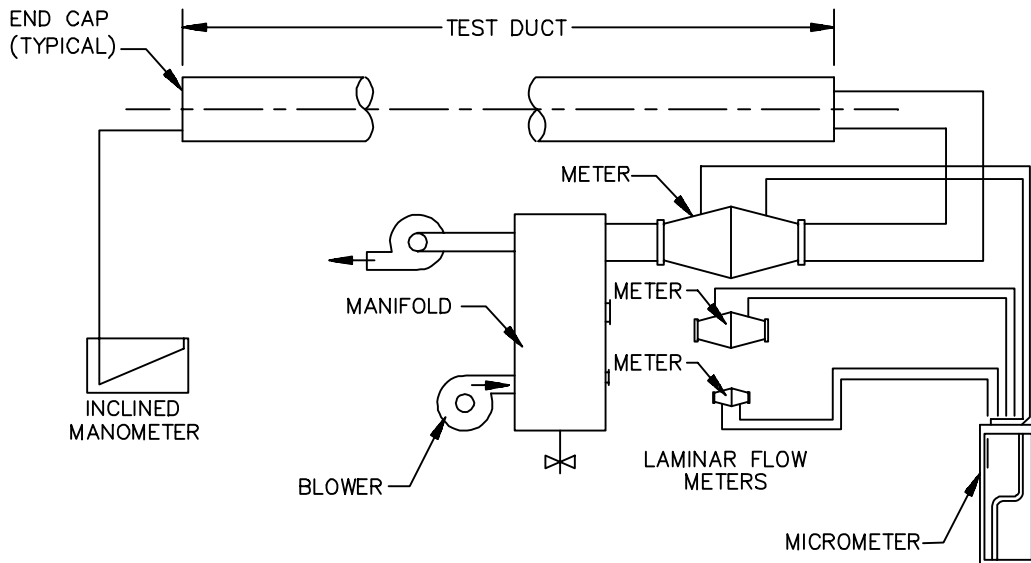


FIG. B LEAKAGE MEASUREMENTS

**FIGURE 7-3 DEFLECTION AND LEAKAGE MEASUREMENT**

**SMACNA  
DUCT PERFORMANCE TEST STANDARD  
NO. DPTS 1995**

**1.0 PURPOSE**

1.1 The purpose of this standard is to provide a uniform reliable laboratory test procedure for evaluating various performance attributes of HVAC air ducts.

**2.0 Scope**

2.1 The scope of this standard covers test methods and evaluation criteria for the following:

- a. burst pressure capacity or resistance;
- b. collapse pressure capacity or resistance;
- c. wall deflection measurement;
- d. leakage;
- e. suspension (an optional test)

**3.0 Performance Requirements**

3.1 Burst and Collapse Tests

These shall determine that a minimum safety factor of 2 on round and oval duct and 1.5 on rectangular duct exists for the desired duct construction pressure classifications.

3.2 Rectangular Duct Deflection Limits

<u>Duct Wall</u>	<u>Limit</u>
W = 12" (305 mm) or less	3/8" (9.5 mm)
W = 13" (330 mm) to 18" (457 mm)	1/2" (12.7 mm)
W = 19" (483 mm) to 24" (610 mm)	5/8" (15.9 mm)
W = 25" (635 mm) to 84" (2134 mm)	3/4" (19.1 mm)
W = 85" (2159 mm) to 120" (3048 mm)	1" (25.4 mm)
Tolerance of +10%	

<u>Joints and Reinforcements</u>	<u>Limit</u>
W=48" (1219 mm) or less	1/4" (6.35 mm)
W=49" (1245 mm) to 120" (3048 mm)	W/200
Tolerance of +7.5%	

3.3 Oval Duct Deflection Limits

<u>Duct Wall</u>	<u>Limit</u>
A rated pressure	3/4" (19.1 mm)
At atmospheric pressure	1/4" (6.35 mm)
Major dimension W=36" (914 mm) or less	
W over 36" (914 mm)	1/2" (12.7 mm)
Tolerance of +7.5%	

3.4 Round Duct Deflection Limits

<u>Duct Wall</u>	<u>Limit</u>
Positive Pressure	Not applicable if shape is round at rated pressure
Negative Pressure	D/200

3.5 Leakage Evaluation

Only applicable for the determination of a leakage class within the *SMACNA HVAC Air Duct Leakage Test Manual* for experimental purposes.

3.6 Suspension Effects (Optional)

Suspension

Using supports at the maximum specified interval a weight equal to the dead weight of the duct is suspended at midpoint between hangers (over a joint if a joint could occur in the span and also on an unjointed span if the joint spacing could equal or exceed the hanger span). Leakage and sag (referenced to support points) are measured before and at the end of one hour. Report Leakage Classes as in Leakage Evaluation.

**4.0 Test Setup**

4.1 See Figures 7- 1, 7- 2, and 7- 3, the instrumentation requirements and the data to be recorded and reported. Ducts shall be assembled in accordance with the test sponsor's instruction.

4.2 The support frame for dial indicators may not rest on ducts except at end caps.

4.3 On rectangular and oval ducts, the test sponsor may have only top measurement for (+) pressure qualification and only bottom measurement for (-) pressure service. The greatest duct dimension must be on the top, not on the side. The setup must provide for both the top and bottom sides of rectangular and oval duct concave or convex sag for the theoretical flat spans. A rigid straight cross-member or other appropriate means of determining zero pressure deflections for the flat spans must be provided.

4.4 Test set ups for round and oval ducts are not required to evaluate circular or semi-circular portions of flanges or angle reinforcements.



- 4.5 Test setups for round duct wall deflections require placement of displacement indicators at 12, 3, 6, and 9 o'clock around the perimeter.

## 5.0 INSTRUMENTATION

- 5.1 **Accuracy and Precision.** For the purposes of this standard, requirements for accuracy and precision, or for maximum error, are specified. The systematic error in an instrument can be minimized by suitable calibration procedures. Random error in an instrument can to some extent be reduced by careful technique in reading and by choosing scale divisions so as to assist in estimating values.
- 5.2 **Temperature Measurement.** Wet and dry-bulb thermometers, transducers, or sensors shall have an accuracy of  $\pm 1^{\circ}\text{C}$  and a precision of  $\pm 0.5^{\circ}\text{C}$  or better. Calibration thermometers, transducers, and sensors shall be calibrated over the range of temperatures expected to be encountered during a test, using a reference thermometer having a calibration that can be traceable to the National Institute of Standards and Technology (NIST), or another national laboratory recognized by NIST.
- 5.3 **Pressure Measurement.** Duct pressure shall be measured with a manometer or other instrument with an accuracy of +1% or less and the precision shall be +0.5% or less. Manometer readings must be corrected for variation of specific weight of gage fluid with temperature, any difference in gas column balancing effect from standard, change in length of the graduated scale due to temperature, or capillary effects.
- 5.4 **Dial Indicators.** Displacement indicators shall have a suitable range, 0.001" or 0.01 mm maximum graduations and an accuracy of 1%.
- 5.5. **Laminar Flow Meter.** Laminar flow elements shall have a 1% precision, and be calibrated to within +0.5% of flow standards traceable to NIST. A micromanometer shall be used to measure the pressure drop across the laminar flow element.
- 5.6 **Piping.** The Figure 7- 3B manifold shall be 6" (150 mm) diameter pipe minimum. Piping between the manifold and a test duct end cap shall be 2" (50 mm) diameter minimum.

- 5.7 **Prime Movers.** The number and capacity of blowers shall maintain positive and negative test pressures. Blowers may be operated individually or in parallel at full or reduced speed using variable frequency or voltage control. A bleed valve may be installed in the fan discharge manifold to provide fine flow adjustment.

## 6.0 TEST SEQUENCE

*Step 1.* Set up the dial indicator(s) over the test point(s). Record the dial indicator reading (D1) at zero gage pressure. Determine the sag for top and bottom flat surfaces as required for section 4.3 even though the DAVE calculation might apply for only one surface.

*Step 2.* Pressurize the duct to the target classification. After pressure is stable for one minute, record the dial indicator reading (D2). Examine the duct.

*Step 3.* Relieve pressure and record the dial indicator reading (D3).

*Step 4.* Pressurize rectangular duct 50% above the step 2 level for a minimum of five minutes. Pressurize round and oval ducts 100% above the step 2 level for five minutes minimum. Examine the duct. A dial indicator record is optional.

*Step 5.* Relieve the pressure. Examine the duct. Record the dial indicator reading (D4).

Calculate the average deflection DAVE.

$$\text{DAVE} = \frac{(\text{D2} - \text{D1}) + (\text{D3} - \text{D2})}{2}$$

Where: D1 = Dial indicator reading per Step 1.

D2 = Dial indicator reading per Step 2.

D3 = Dial indicator reading per Step 3.

This relates to the performance requirements in Section 3 of this test standard. The DAVE calculation does not require that the performance limits for Section 3.2 and 3.3 apply to theoretical flat zero reference datum.

## 7.0 DATA TO BE INCLUDED IN REPORTS OF TESTS

1. Diagram of the test specimen.
2. Complete description of the specimen: sheet thickness; galvanized coating weight; if any;



longitudinal seam locations; seam size; model of machines on which seams, joint members, and intermediate members are roll formed, (or if brake-formed, so state); approximate inside radius of bends in formed stiffener and joint members; type, size, and spacing for fastener, (*e.g.*, bolt, weld, or self-tapping screw); type of sealants; gasket dimensions, etc. Include any observed imperfection or irregularity which might influence the results; if sealants are used, state whether they were applied before, during, or after assembly of parts.

3. The test setup including apparatus, least scale division and estimated accuracy of measurement instruments, support points and support method for specimen, measurement points on specimen, etc.

4. The sequence of observing and recording of data, the increments of pressure, the zero pressure level deflections, etc.
5. Any corrective adjustments made in the condition of the specimen after the start of testing. The location and nature of any failure points or conditions.
6. (Optional). Pressurize the duct in 1" wg (250 Pa) increments above the qualifying pressure until failure occurs. Record the observations and the failure pressure. Use precautions to avoid injury from parts dislocated at failure pressure.

The laboratory may just report its findings or may certify that compliance with a particular standard or requirement has been met.

## 7.4 PROCEDURE FOR RATING DUCT CONSTRUCTION METHODS RELATIVE TO THE SMACNA CONSTRUCTION TABLES

### METHOD 1

Show by written analysis and commentary that any features that are different from the reinforcement and assembly scheme will result in:

- a. construction that satisfies the general requirements described in Section 1 for all ducts to the same extent that the published standards do;
- b. compliance with the stated performance requirements of Test Standards No. DPTS-1995.

### METHOD 2

Present substantial evidence of historical acceptability for the use intended, and show that the previous use has been subjected to the pressures, velocity levels, and other conditions for which rating is desired.

### METHOD 3

Construct, test, and rate specimens of the contemplated design.

### METHOD 3A

Test only the component being substituted or test the component plus any connected components in a manner that will simulate the actual loading and will correlate with actual performance. Show that this approach will not impair or reduce the performance of the entire assembly.

### METHOD 3B

Test a full specimen. Construct a specimen using the desired scheme of sheet thickness, joint type, intermediate stiffener, sealant, fasteners, etc. Conduct tests in the positive or negative mode of pressurization, as desired. Use instrumentation and follow procedures that will produce laboratory accuracy. Record the proceedings and observations. Write conclusions showing equivalence to the construction tables published by SMACNA. Include a diagram of the specimen tested. *See* Fig. 7-2.

NOTICE: Test procedures 3A and 3B may result in showing compliance with the performance criteria published by SMACNA, and not result in structural failure in the specimen. It is also *desirable* (but not required) to know the conditions under which failure occurs. If feasible, increase the pressure on the specimen until buckling, permanent deformation, or separation of parts occurs. This will indicate the safety factor of the construction and show the nature of the failure.

## 7.5 NOTES ON SPECIMEN TESTING

1. Observe that the SMACNA pressure classifications are positive and negative at several pressure levels. Tests for negative pressure qualification are similar to those described for positive pressure except that suction apparatus is used.
2. Tests in the negative pressure mode are more critical for sheet deflection and joint and stiffener buckling than those in the positive pressure mode. *See* the diagrams of models for functional standards. A test in one mode will not substitute for one in the other mode. Where the same specimen is tested in both positive and negative modes, the positive test should be conducted first. The approach of failure is usually more evident in the positive pressure mode on rectangular shapes. The pressure capacity of ducts is usually higher in the positive mode than in the negative.
3. For corner attachments and end restraints on rectangular joints and intermediate stiffeners, ties are required on 4" (1000 Pa), 6" (1500 Pa), and 10" wg (2500 Pa) pressure classes.
4. The deflection limits are at the rated pressure class. The freedom-from-structural-failure limit is at a safety factor level.
5. Make sure that end caps and their attachment are secure enough for the test pressure range. End cap failure at lower than target pressure makes more testing necessary.
6. Returning to zero pressure and checking joints or reinforcements between pressure level increments enables testers to identify set, the residual deflection in excess of that originally present at atmospheric pressure. Some set may occur from slippage or cold-working of the metal. Considerable set may



indicate that failure is imminent or that excess deflection may occur at the next pressure level. Periodic release and restoration of pressure may help identify metal separation or loss of seal adhesion that will contribute to more leakage even though structural failure or excess deflection do not occur. This is not true for some connection and reinforcement systems.

7. Typical failures under positive pressure are joint separation from the duct, opening of joints, tearing of joint corners, screw or rivet pullout from duct near corners, and longitudinal seam separation. Reinforcements break at corners or, if they are not corner-tied, move away from the duct near the corner, thereby pulling fasteners out of the duct wall. Typical failures under negative pressure are buckling of duct wall at the corners, buckling of joints and reinforcements near the center, openings anywhere in the duct surface that change in size or orientation to adversely affect seal effectiveness, fastener release, and excessive deflection.

## STRUCTURAL INADEQUACIES

Joint separation  
Seam separation  
Permanent warp, buckling, or collapse  
Excessive sag or misalignment at zero pressure  
Excessive deflection in duct wall, reinforcements, or joints under pressure  
Component or fastener breaking, pullout, or slip  
Changing alignment or fit-up of components causing loss of seal effectiveness  
Stress cracking  
Susceptibility to damage from routine handling and from impact at assembly and installation

## INADEQUATE INTEGRATION WITH SUPPORT SYSTEMS

Insufficient support causing misalignment of duct sections  
Support detaching from duct assembly (if attached)  
Support deflecting under load, adversely affecting duct integrity or shape retention  
Support contact with duct being periodic and causing noise

*Note:* Where riser or horizontal duct supports transmit loads to joints or reinforcements, these loads can affect the integrity of the duct system.

8. Consult the SMACNA HVAC Air Duct Leakage Test Manual for evaluation of leakage control. Allow sealants to cure before conducting tests.
9. The investigation of a single specimen will not provide enough data to confirm adequacy for all duct sizes, gages, and reinforcement arrangements. Also, marginal failure of one specimen will not necessarily mean that the construction is necessarily unsuitable.
10. Inserting flow meters in the air line between the blower or vacuum unit and the specimen and recording air leaks at stabilized pressure levels, while evaluating the structure can confirm joint separation or seal degradation and provide other useful information.
11. Joints and intermediate reinforcements influence the deflection of the duct wall at midpoints between such members. Checking the amount of wall midpoint deflection can lead to the development of new reinforcement schedules. The corners of the duct may deform more between joints than at joints, and the duct ends at the joint may more longitudinally as well as laterally. Both of these conditions can contribute to span midpoint deflection. This suggests that the wall deflection measurement might better be referenced diagonally to the duct wall edges at joints and referenced transversely from corner to corner at midspan.

Sponsors of new or proprietary transverse joining systems are encouraged to have their tests witnessed and certified by a disinterested responsible party such as a commercial testing laboratory. Recommended construction tables and details should follow a format similar to that used in this manual if an indication of equivalency is intended. Evidence of equivalency should include information on the E1 rigidity classification calculation. SMACNA does not endorse or approve proprietary constructions and does not validate their analysis or tests as being equivalent to SMACNA classifications. Authorities are invited to evaluate such constructions based on evidence presented by their sponsors.



## 7.6 NOISE AND VIBRATION

The following discussion reviews vibration research conducted by SMACNA and reported in the May 1984 issue of the *ASHRAE Journal*. It is extracted and used by permission of the American Society of Heating, Refrigerating & Air Conditioning Engineers, Inc. No inference that ASHRAE agrees with these opinions is intended. For a more recent discussion of acoustical analysis of ducts see the “Sound and Vibration” Chapter in the *ASHRAE Systems Handbook* and Section XI in SMACNA’s *HVAC Duct Systems Design* manual.

**IMPORTANT NOTICE!** The rectangular duct reinforcement tables in these standards and in former editions do not eliminate rumble on system start-up and shutdown. Lagging, diagonal bracing, or other acoustical treatment will be necessary to reduce or eliminate rumble.

### 7.6.1 Test Objectives

The object of the test was to determine the behavior of a variety of rectangular duct constructions for various air velocities and static pressures. Behavior was measured in terms of deflection and vibration amplitude.

### 7.6.2 Equipment

The test apparatus is illustrated in Fig. 7-4. Air from the fan passed through a calibrated orifice and a square-throat elbow into the test specimen. Then it discharged into a plenum with an outlet damper. Air pressure and flow were controlled by the fan inlet damper and the outlet damper at the end of the system. A manually operated bypass damper was used whenever the desired airflow through the specimen was below the normal operating range of the fan. Four sizes of orifices were used for different flow ranges. The square-throat elbow with turning vanes was installed upstream of the test specimen in order to create a turbulent airflow like that found in actual installations. The pressure in the test specimen was sensed by a static pressure probe installed in each of the test specimens. The displacement of the sheet was measured by a calibrated linear potentiometer. The movable arm of the potentiometer was secured to the sheet by a permanent magnet, and the housing of the potentiometer was secured to an aluminum channel superstructure, which was in turn supported by the corners of the duct. Thus the sheet displacement was

measured relative to the duct itself. This arrangement prevented false readings caused by movement of the testing system relative to the building structure.

The static pressure and differential orifice pressure were measured by electronic pressure transducers, which in turn were calibrated and monitored by liquid manometers. The static pressure, differential orifice pressure, and sheet displacement were simultaneously recorded on an oscillograph chart. The deflection of the reinforcing angles was measured with a dial indicator using as a reference the same superstructure used for the potentiometers, and these measurements were recorded manually.

### 7.6.3 Ducts Tested

Most of the tested ducts had a uniform depth of 8” (203 mm). Because the top, bottom, and sides of a rectangular duct act as independent load bearing panels, there was no reason to make a separate study of each of these panels, or to study the effects of combining various sizes of top and side panels.

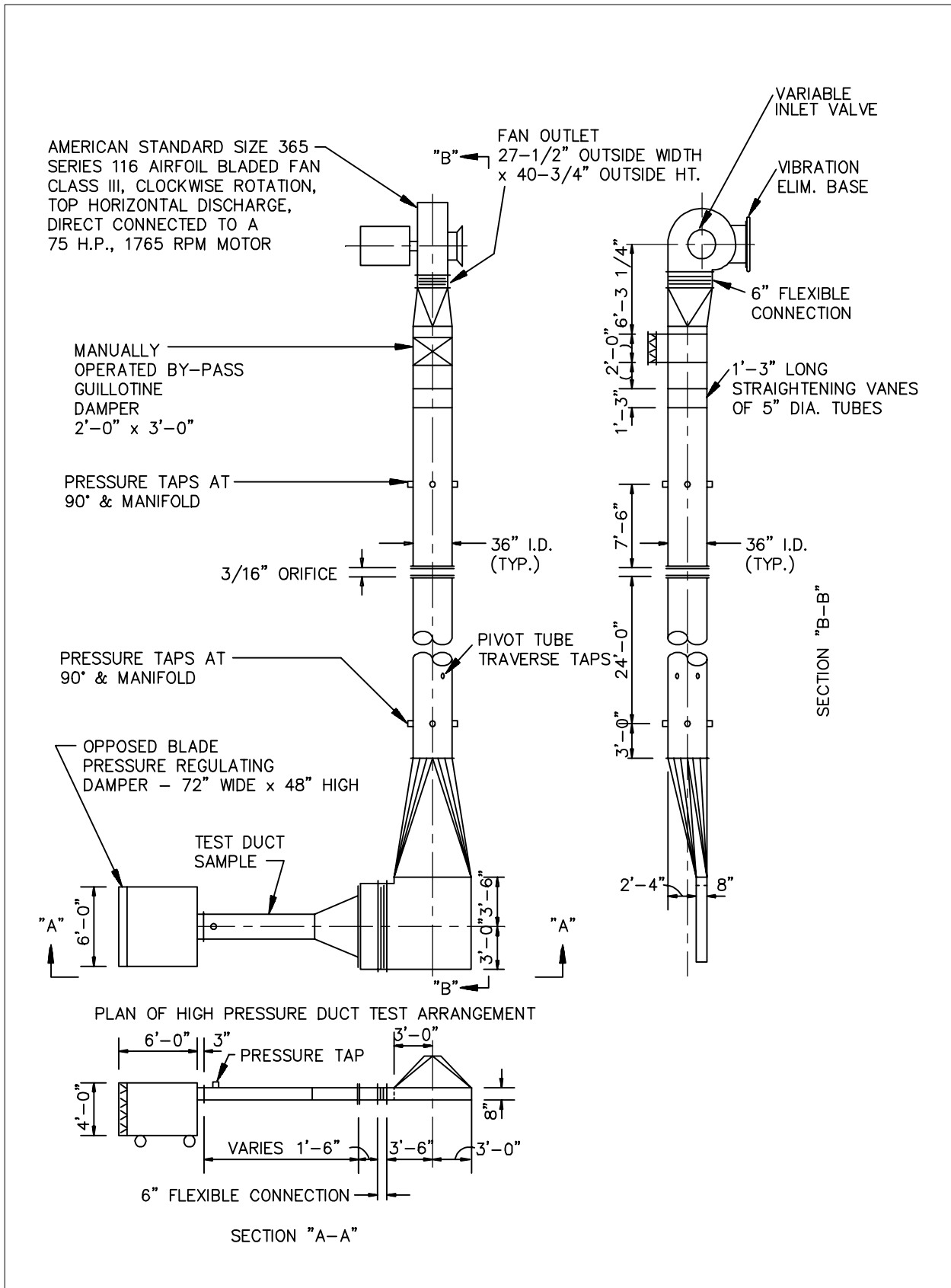
Duct widths tested were 10 (254), 12 (305), 18 (457), 24 (610), 36 (914), 48 (1219), 54 (1372), 60 (1524), 72 (1829), and 84 inches (2134 mm). Ducts wider than 84 in. (2134 mm) could not be tested due to limited capacity of the supply fan to provide sufficient velocities at the higher test pressures.

Duct specimens were 8 (2.44) to 12 feet (3.66 m) long, usually with 2 (0.61) to 4 feet (1.22 m) connecting pieces on each end. Longitudinal seams were button punch snap lock for 24 (0.70) through 20 gage (1.00 mm) sheets. Lock seams were used for 18 gage (1.31) ducts. 16 (1.61) and 14 gage (1.99 mm) ducts had welded seams. Reinforcing angles were secured with sheet metal screws and tie rods on each end. Transverse joints were flanged and edge-welded. Each specimen normally included two transverse joints.

For each width of duct, the sheet gage, reinforcing size, and reinforcing spacing were varied in order to determine the lowest cost construction that would perform within the standards.

Constant-pressure test runs were made on each duct specimen, varying the velocity continuously from about 6,500 (33) down to about 2,000 fpm (10 mps). The constant pressure runs were made at 10.0 (2500), 6.0 (1500), 2.0 (500), 1.5, (375) and 1.0 in. wg (250 Pa) static pressure as measured in the specimen.

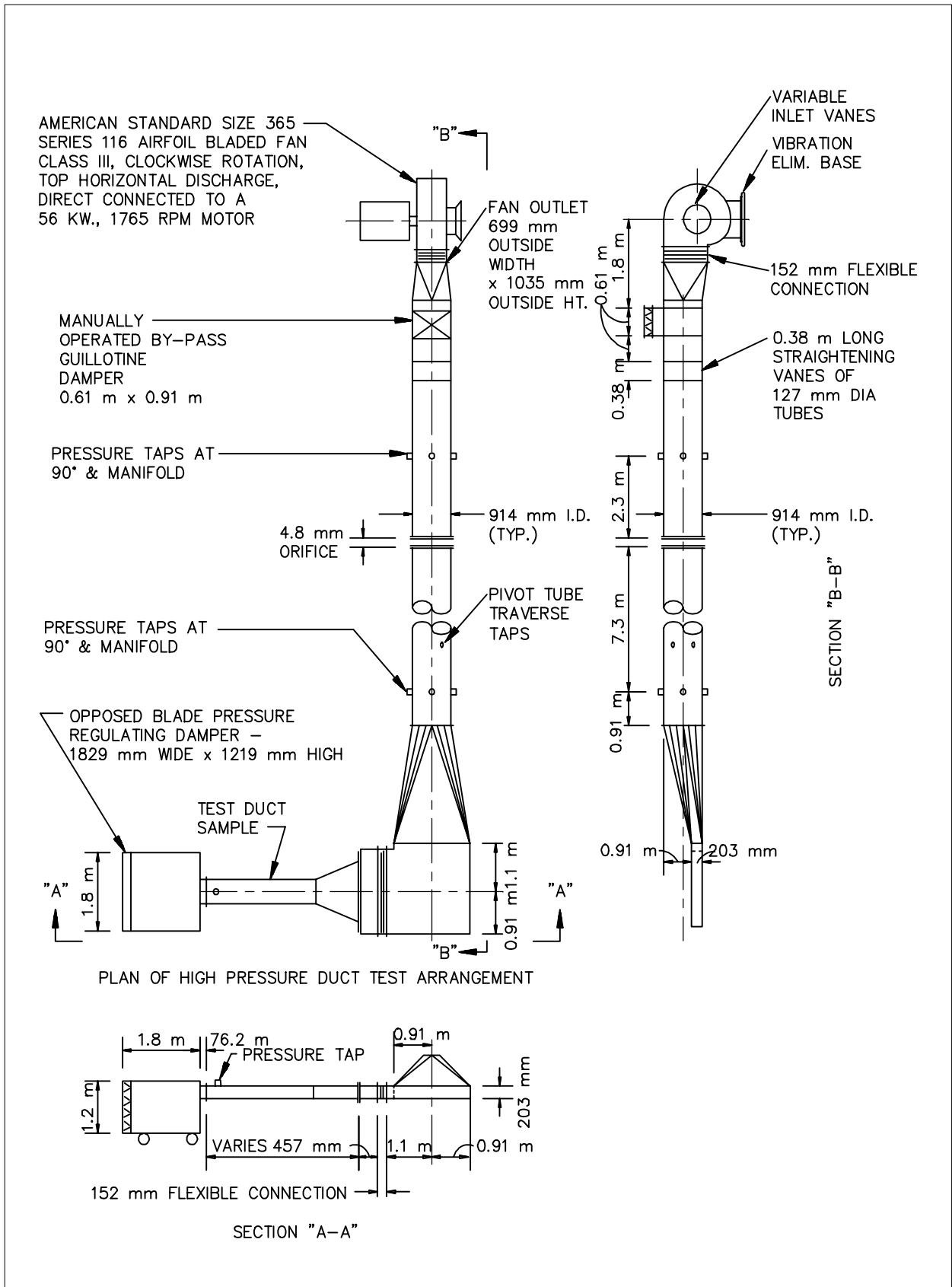




**FIGURE 7-4 TEST APPARATUS**







**FIGURE 7-4M TEST APPARATUS**

**TABLE 'A'**  
**Minimum Threshold Velocities at**  
**Various Internal Static Pressures**

Static Pressure in. WG (Pa)	Average Velocity	
	fpm	(mps)
1.5 (375)	2500	12.7)
2.0 (500)	2750	(14)
4.0 (1000)	3500	(17.8)
8.0 (2000)	5500	27.9)
10.0(2500)	6500	(33)

**7.6.4 Threshold Velocity**

The oscillograph traces were examined to determine, for each pressure, the maximum sheet deflection and the maximum air velocity at which the amplitude of sheet vibration was equal to the arbitrary maximum value established as standard. With amplification available from the recording instruments, this value was the width of one line on the trace, which was equal to a movement of the sheet of .01785 in. (0.4534 mm) (slightly over 1/64”). This velocity is termed the “threshold velocity.”

It was not feasible to conduct the tests to establish the exact relationship between the threshold velocity and each of the variable of duct size, sheet gage, and reinforcing spacing. Instead it was decided to arbitrarily establish minimum threshold velocities for various static pressures. The intent was that the resulting criteria would cover all of the operating conditions in normal- to high-velocity air conditioning systems.

Because operating conditions are the designer’s choice, these criteria were established through a poll of consulting mechanical engineers. Based on their responses, Table A lists the minimum threshold velocities used in evaluating the test results.

**7.6.5 Test Results**

In all cases the performance of the duct specimen followed the same pattern.

1. Deflection of the sheet
  - a. Increasing velocity does not affect deflection.

- b. Increasing reinforcing spacing increases deflection.
  - c. Increasing duct width increases deflection.
  - d. Increasing internal static pressure increases deflection.
  - e. Increasing sheet gage decreases deflection.
2. Amplitude of vibration
    - a. Increasing velocity increases vibration.
    - b. Increasing reinforcing spacing increases vibration.
    - c. Increasing duct width increases vibration.
    - d. Increasing internal static pressure decreases vibration.
    - e. Increasing sheet gage increases vibration.

All of the above phenomena would seem to be readily predictable with the exception of the last two. Why would a light gage sheet resist vibration more than a heavy gage sheet, and why would a sheet vibrate more at lower pressures?

Careful observation of all specimens showed that the sheet acts more as a membrane than as a beam. A sheet acting as a beam would require a much greater section modulus, calling for thicknesses beyond those of sheets. However, a relatively heavy sheet, say 16 gage (1.61 mm), does retain some of the stiffness of a beam, while the lighter sheets, say 20 gage (1.00 mm), are quite limber.

The side of the duct is easy to move back and forth (vibrate) if it is not taut. A 16 gage (1.61 mm) sheet cannot be stretched taut by lower static pressures, say 2 (500) to 4 in. (1000 Pa), because of its inherent stiffness, whereas the lighter 20 gage (1.00 mm) sheet does become taut at these pressures.

Commercial sheets are not absolutely flat but instead have both concave and convex areas or “waves.” If a relatively heavy gage sheet is subjected to low-range operating pressures, some concave areas might be on the verge of “popping out” or snapping over center to conform to the overall convex shape of the



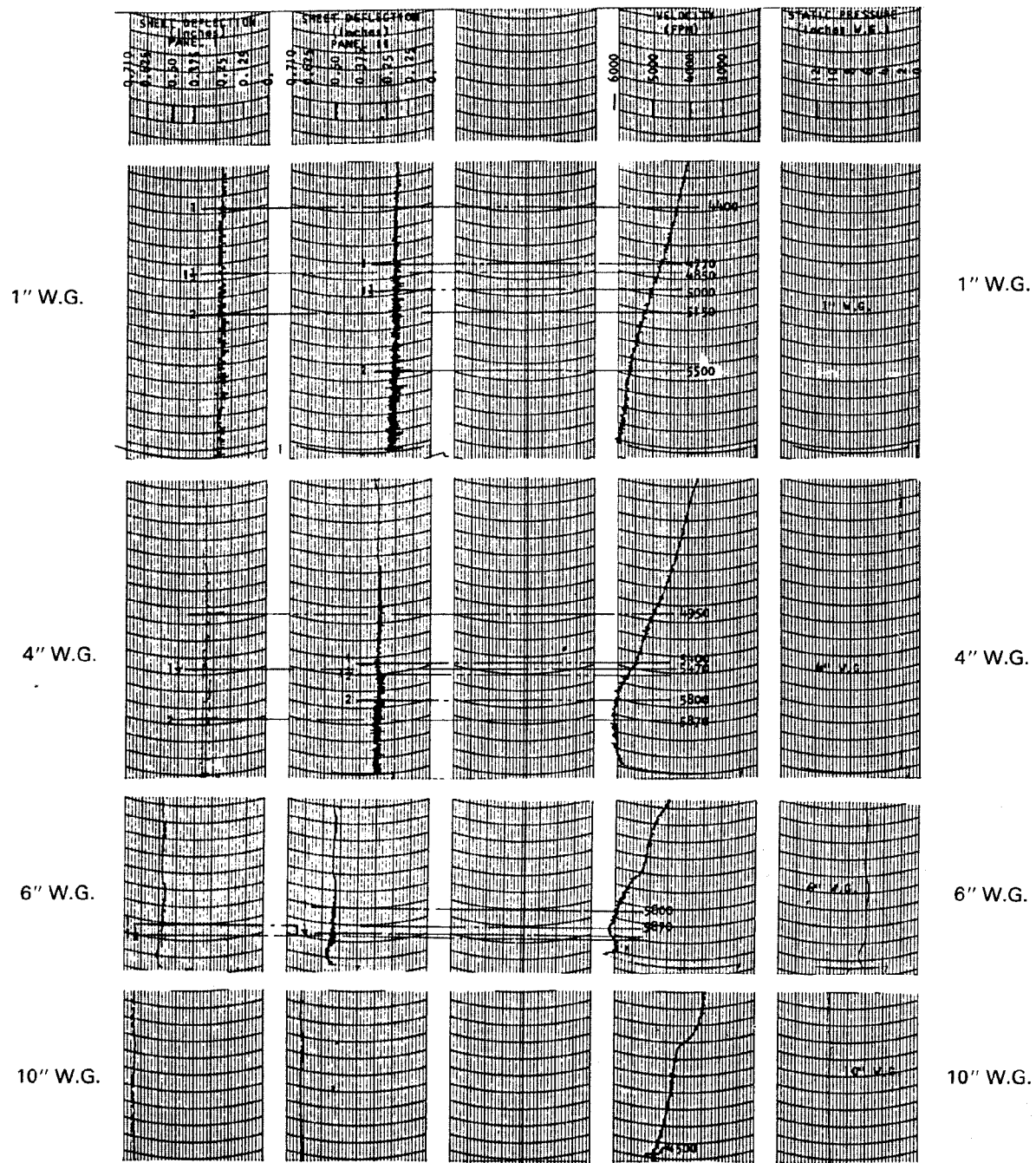
sheet. If an area is near this equilibrium condition, then relatively small but rapid variations in static pressure caused by turbulence will make that area vibrate violently.

In addition to the random waves in commercial sheets, the sheet forming the top of the duct will sag and form a concave area between the reinforcing members. This is due to the dead weight of the sheet and occurs at zero or low internal static pressures. The top sheet will not be stretched taut until the internal static pressure is adequate to overcome both the dead

weight of the sheet and the internal forces which cause the waves. Here again, the equilibrium static pressure for heavy gage sheets, can occur well within operating pressure ranges, while for light gage sheets, equilibrium will occur below operating pressure.

From the foregoing, it might appear that it would always be best to use a light gage sheet. However, as the duct width increases, it is also necessary to increase sheet gage in order to meet the deflection criteria.





Typical oscillograph traces for test runs at 1, 2, 6, and 10 in. W.G. static pressure. Lines marked 1, 1-1/2 and 2 indicate where the sheet vibration was approximately 1, 1-1/2 and 2 chart lines amplitude. It can be seen that as the velocity decreased, the amplitude of vibration also decreased. It can also be seen that as the pressure was increased, a higher velocity was required before a given amplitude of vibration was reached. Total sheet deflection also increased with increases in pressure.

**FIGURE 7-5 OSCILLOGRAPH TRACES**

### 7.6.6 Cross Breaking

A natural approach for maintaining a sheet in a convex shape is to cross break it. Unfortunately, cross breaking results in concave areas between the break lines. The technique of cross breaking is successful in reducing vibration when applied to low velocity ducts because internal static pressures are seldom high enough to cause the concave areas to “pop out.” Also, low velocity ducts are not normally subjected to the turbulence found in high velocity ducts. Therefore, the forces causing vibration are much smaller.

The test results showed that the effect of cross breaking high velocity ducts is dependent on the sheet gage. Because they were stretched taut at low pressures, cross breaking had a minimum effect on light gage ducts. On the other hand, higher pressures were required to stretch taut the heavy gage sheets which had been cross broken than those not cross broken. It was observed that in general, cross breaking was not beneficial to high velocity duct performances.

### 7.6.7 Vibration and Noise

Vibration of the sheet is undesirable:

1. If it can cause fatigue failure in the sheet;
2. If it causes other objects to vibrate by contact, *e.g.*, ceilings, light fixtures, etc.; or
3. If it makes excessive noise.

Complete and definitive testing in these three problem areas was not practical under the financial and time limitations of this program. It was instead decided to rely on the judgment of experienced parties to determine the criteria for acceptability. Thirty ventilation contractors and design engineers witnessed various test runs and expressed their opinions on the effects of vibration when the sheets were made to vibrate at 1, 1 1/2 and 2 times the maximum standard (0.01785 in.) (0.4534 mm).

### 7.6.8 Fatigue

Fatigue failure in steel ducts is uncommon. The consultants had seen fatigue failure only in cases of much more severe vibration, usually where there were stress reversals such as that created by a poorly secured turning vane flapping in the airstream.

### 7.6.9 Vibration Transmission by Contact

It is not good practice for the duct sheet to come in contact with other parts of a building. It was agreed that the maximum deflection and amplitude values set as standard were reasonable enough to prevent such contact. Where ducts are covered with insulation, vibration transmission by contact is further minimized.

### 7.6.10 Noise

As a practical matter, the foregoing two problems were not as great a concern as the possibility of excessive noise. Due to the high ambient noise caused by having the complete air handling system in one room, it was impossible to measure the amount of noise radiated by the duct specimen. Our consultants evaluated the test runs by visual observation, by touch, and by ear. On this basis, they unanimously agreed that the maximum amplitude of vibration established as a standard was well within the limits of vibration considered acceptable.

It was possible to take vibration readings of the various specimens and system components. Magnetic tape recordings were made of the vibration of duct walls as detected by an accelerometer pickup. A pre-amplifier was used that had uniform characteristics throughout the audio frequency range. After the test runs, the consultants listened to the recordings in a quiet room and judged them. Certain qualitative judgments were made concerning these listening tests. Additional measurements were made concerning the relative noise intensity as a function of sheet gage and static pressure.

The levels in Table B indicate the relative vibration under the various conditions of test on a logarithmic scale as used for sounds. The absolute values are of no importance, but the relative values are similar to those obtained if it had been possible to measure noise directly on a decibel scale; that is, for an increase of 3, the ratio of vibration is doubled.

For an increase in 10, the vibration intensity is increased tenfold. The basis of interpretation of the readings of relative vibration is the assumption that the intensity of radiated sound will vary with the intensity of vibration. In actuality, the relationship between surface vibration and sound radiation is also a function of frequency. In our tests, the differences in relative vibration however are significant enough to assume that an increase in radiated sound will result from an increase in vibration of the sheet. The significance of the tests was the determination of trends rather than the measurement of levels.



In assessing the differences between the various conditions, it should be realized that the isolation between the various portions of the duct are minimal, especially for the case where a heavy gage and a light gage duct are connected in series in the test rig. Furthermore, with the existing test setup, vibration is easily conducted along the entire system with little reduction in amplitude. The differences that are noted therefore are minimum and it can be expected that considerable more differences would have occurred under ideal test conditions.

**TABLE B**  
**Relative Vibration of Various Ducts**  
Run No. 5–42 in. Wide Ducts

Static Pressure in wg (Pa)	Velocity fpm (mps)	Relative 22 ga (0.85 mm) Duct	Vibration 16 ga (1.61 mm) Duct
10.1 (2500)	5,680 (28.9)	30	32
8.1 (2000)	6,560 (33.3)	31	33
6.1 (1500)	6,560 (33.3)	30	32
4.1 (1000)	6,660 (33.8)	30	33
2.5 (625)	6,440 (32.7)	32	42

Vibration readings on a 42 x 8 in. (1067 x 203 mm) duct specimen, constructed of a 10 feet (3.05 m) long, 22 gage (0.85 mm) section, joined directly to a 10 feet (3.05 m) long, 16 gage (1.61 mm) section, are tabulated in Table B, Run No. 5.

Under these test conditions, the vibration intensity of the thinner duct was consistently lower in level than the heavier duct and showed a maximum difference

at the lower pressures, for which visible motion of the duct walls was apparent in the heavier gages.

**RUN NO. 6** (Continued) 42 in. (1067 mm) Wide Duct  
6,270 fpm (31.6 mps) Velocity, 6.0 inches (1500 Pa) static pressure

Position	Relative Vibration
Outlet plenum box	32
16 ga. (1.61 mm) duct section	32
22 ga. (0.85 mm) ducts section	29
Floor next to duct specimens	11
Inlet plenum upstream of duct specimens	37
Top of elbow	39
Top of round to rectangular transition	38
Round duct on outlet side of orifice	35
Round duct on inlet side of orifice	39
Round duct on outlet of fan under bleed-off	38

A most interesting set of measurements was obtained in Run No. 6 during which recordings were made at 10 different locations throughout the entire system. The lowest vibration in the system was obtained in the section of duct having the thinnest gage. The readings are not indicative of noise reduction because the frequency characteristic of the noise also changes. The thinner duct appears to sound significantly less loud than the heavier duct. This is in part due to less intensity, but also to the lower pitch or frequency of the sounds.

Our study of noise radiation was conducted under less than ideal conditions. However, its results appear to substantiate the assumption that light gages in high velocity duct will not result in greater noise radiation than heavy gages.



# **APPENDICES**

## APPENDIX A

---

A- 2	Galvanized Sheet Thickness	A- 22	Blank Form for Shop Standards
A- 3	Manufacturers Standard Gage-Thickness- Uncoated Steel Sheet	A- 23	26 Gage Duct Pressure Comparison
A- 4	Stainless Steel Sheet Thickness	A- 24	24 Gage Duct Pressure Comparison
A- 5	Aluminum Sheet Thickness	A- 25	22 Gage Duct Pressure Comparison
A- 6	Metric Conversion Chart	A- 26	20 Gage Duct Pressure Comparison
A- 7	Duct Surface Area	A- 27	18 Gage Duct Pressure Comparison
A- 8	Galvanized Sheet Weight Comparison	A- 28	16 Gage Duct Pressure Comparison
A- 10	Approximate Weight-Round Steel Duct	A- 29	Single Path Air Systems
A- 11	Areas and Circumferences of Circles	A- 30	Dual Path Air Systems
A- 12	Angle, Bar and Channel Properties	A- 31	Terminology for Central Station Apparatus
A- 13	2” wg Narrowscope Table 1- 5 E4	A- 32	Typical HVAC Unit Connections
A- 14	2” wg Narrowscope Table 1- 5 E5	A- 33	Motor Arrangements Centrifugal Fans
A- 15	1” wg Narrowscope Table 1- 4 E4	A- 34	Fan Rotation and Discharge Position
A- 16	1” wg. Narrowscope Table 1- 4 E5	A- 35	Typical Belt Guards
A- 17	26, 24, 22 Gage Composite of Tables 1- 3, 1- 4 and 1- 5	A- 36	Typical Isolation Devices
A- 18	20, 18, 16 Gage Composite of Tables 1- 3, 1- 4 and 1- 5	A- 37	Radiation Protection at Wall Openings for Duct or Pipe
A- 19	Contractor Analysis of Shop Standards	A- 41	Number of Short Radius Vanes
A- 20	Dependent Variables	A- 42	Number of Short Radius Vanes (Metric)
A- 21	Sample Shop Standards	A- 43	Construction of Short Radius Vanes
		A- 44	Contributers to Previous Documents





## GALVANIZED SHEET THICKNESS TOLERANCES

Gage	Thickness in Inches			Weight				Thickness in Millimeters		
	Min.	Max.	Nom.	Min. lb/sf	Nom. lb/sf	Max. lb/sf		Min.	Max.	Nom.
33	.0060	.0120	.0090	.2409	.376	.486		.1524	.3048	.2286
32	.0104	.0164	.0134	.4204	.563	.665		.2642	.4166	.3404
31	.0112	.0172	.0142	.4531	.594	.698		.2845	.4369	.3607
30	.0127	.0187	.0157	.5143	.656	.759	3.20	.3188	.4788	.3988
29	.0142	.020	.0172	.5755	.719	.820		.3569	.5169	.4369
28	.0157	.0217	.0187	.6367	.781	.881	3.81	.3950	.5550	.4750
27	.0172	.0232	.0202	.6979	.844	.943		.4331	.5931	.5131
26	.0187	.0247	.0217	.7591	.906	1.004	4.42	.4712	.6312	.5512
25	.0217	.0287	.0247	.8407		1.167		.5274	.7274	.6274
24	.0236	.0316	.0276	.9590	1.156	1.285	5.64	.6010	.8010	.7010
23	.0266	.0346	.0306	1.0814		1.408		.6772	.8772	.7772
22	.0296	.0376	.0336	1.2038	1.406	1.530	6.86	.7534	.9534	.8534
21	.0326	.0406	.0366	1.3263		1.653		.8296	1.0296	.9296
20	.0356	.0436	.0396	1.4486	1.656	1.775	8.08	.906	1.106	1.006
19	.0406	.0506	.0456	1.6526		2.061		1.028	1.288	1.158
18	.0466	.0566	.0516	1.8974	2.156	2.305	10.52	1.181	1.441	1.311
17	.0525	.0625	.0575	2.1381		2.546		1.331	1.591	1.461
16	.0575	.0695	.0635	2.342	2.656	2.832	12.96	1.463	1.763	1.613
15	.0650	.0770	.0710	2.6481		3.138		1.653	1.953	1.803
14	.0705	.0865	.0785	2.8725	3.281	3.525	16.01	1.784	2.204	1.994
13	.0854	.1014	.0934	3.4804		4.133		2.162	2.5823	2.372
12	.0994	.1174	.1084	4.0516	4.531	4.786	22.11	2.523	2.983	2.753
11	.1143	.1323	.1233	4.6505		5.394		2.902	3.362	3.132
10	.1292	.1472	.1382	5.2675	5.781	6.002	28.21	3.280	3.740	3.510
9	.1442	.1622	.1532	5.8795		6.614		3.661	4.121	3.891
8	.1591	.1771	.1681	6.4874	6.875	7.222		4.040	4.500	4.270

**NOTE:**

- Based on ASTM A924/924M- 74, Standard Specification for General Requirements for Sheet Steel, Metallic Coated by the Hot-Dip Process (formerly ASTM A525); and ASTM A653/A653M- 94, Standard Specification for Sheet Steel, Zinc-Coated (Galvanized) or Zinc-Iron Alloy Coated (Galvanized) by the Hot-Dip Process.
- Tolerances are valid for 48" and 60" wide coil and cut length stock - other dimensions apply to other sheet widths and to strip.
- The lock forming grade of steel will conform to ASTM A653 (formerly ASTM A527).
- The steel producing industry recommends that steel be ordered by decimal thickness only. Thickness and zinc coating class can be stenciled on the sheet. The gage designation is retained for residual familiarity reference only.
- Minimum weight in this table is based on the following computation:  
Minimum sheet thickness minus 0.001" of G60 coating times 40.8 lb per s.f. per inch plus 0.0369 lb/sf of zinc.  
G90 stock would be comparably calculated from:  
(t - .00153") 40.8 + 0.0564 = minimum weight.  
However, scale weight may run 2% (or more) greater than theoretical weight. Actual weight may be near 40.82 lb. per s.f. per inch.
- G60 coating, per ASTM A653 and ASTM A90, has 0.60 oz/sf (triple spot test) total for two sides. 0.59 oz/sf of zinc equals 0.001". 1 oz is 0.0017" and is 305.15 g/m<sup>2</sup>.  
G90 coating is 0.90 oz/sf (triple spot test), or 0.00153". Magnetic gage measurement of zinc coating may have 15% error.
- ASTM A2092, Practices for Preparation of Zinc-Coated Galvanized Steel Surfaces for Paint, includes mill phosphatizing.
- ASTM A755 is the Specification for Sheet Steel, Metallic Coated by the Hot-Dip Process and Prepainted by the Coil-Coating Process for Exterior Building Products. Other information is available from the National Coil Coaters Association, Philadelphia, PA.
- Much chemical and atmospheric corrosion information is available from ASM International in Metals Park, Ohio and from NACE International in Houston, TX.
- A principle international standard is ISO 3575, Continuous Hot-Dip Process, Zinc-Coated Carbon Steel Sheet of Commercial, Lock Forming and Drawing Qualities.



## MANUFACTURERS STANDARD GAGE-THICKNESS UNCOATED STEEL

M.S. Gage		Thickness				ANSI STANDARD B32.3 Preferred in Thickness Millimeters		
		Nominal	Hot Rolled		Cold Rolled		First	Second
			Min.	Max.	Min.	Max.		
28	.625 (3.051)	.0149 in .378 mm			.0129 in .328 mm	.0169 in .429 mm	.30	
26	.750 (3.661)	.0179 in .455 mm			.0159 in .404 mm	.0199 in .505 mm	.40	.35 .45
24	1.000 (4.882)	.0239 in .607 mm			.0209 in .531 mm	.0269 in .683 mm	.50	
22	1.250 (6.102)	.0299 in .759 mm			.0269 in .683 mm	.0329 in .836 mm	.60	.65 .70
20	1.500 (7.232)	.0359 in .912 mm			.0329 in .836 mm	.0389 in .988 mm	.80	.90
18	2.000 (9.764)	.0478 in 1.214 mm	.0428 in 1.087 mm	.0528 in 1.341 mm	.0438 in 1.113 mm	.0518 in 1.316 mm	1.00	1.10
16	2.500 (12.205)	.0598 in 1.519 mm	.0538 in 1.367 mm	.0658 in 1.671 mm	.0548 in 1.392 mm	.0548 in 1.649 mm	1.2 1.6	1.40 1.80
14	3.125 (15.256)	.0747 in 1.897 mm	.0677 in 1.720 mm	0.817 in 2.075 mm	.0697 in 1.770 mm	.0797 in 2.024 mm	2.0 2.5	2.2
12	4.375 (21.359)	.1046 in 2.657 mm	.0966 in 2.454 mm	.112 in 2.860 mm	.0986 in 2.504 mm	.1106 in 2.809 mm	3.0	2.8
10	5.625 (27.461)	.1345 in 3.416 mm	.1265 in 3.213 mm	.1425 in 3.619 mm	.1285 in 3.264 mm	.1405 in 3.569 mm	3.5	3.2
8	6.875 (33.564)	.1644 in 4.176 mm	.1564 in 3.973 mm	.1724 in 4.379 mm			4.0	3.8

**NOTE:**

*Manufacturers Standard Gage* is based on a theoretical steel density of 489.6 lb/cf, or 40.80 lb/sf per inch of thickness plus 2.5% normally experienced increase in delivery weight. Thus, the weight basis associated with thickness specifications as 41.82 lb/sf per inch.

*U.S. Standard Gage*, the legal gage since 1893, although based on the density of wrought iron 480 #/cf, used 40.00 lb/sf/in for both iron and steel. Thus, U.S. gage thicknesses are derived from weights 2% lighter than steel.

The table is based on 48" width coil and sheet stock. 60" stock has the same tolerance for gages listed except for 16 gage which has ± 0.007" in hot rolled sheet.

See ASTM Standards A 366 (cold rolled order form), A 568 (properties of hot rolled and cold rolled sheet of commercial quality), and A 569 (hot rolled order form).

Thickness and weight in customary units are based on data in the *AISI Carbon Sheet Steel Products Manual*. Metric conversions listed here are straight multiplications for comparison purposes. Individual manufacturers may quote other tolerances.

ANSI is the American National Standards Institute. Standards B- 32.3 actually covers a wider range of thickness than listed here.



## STAINLESS STEEL SHEET THICKNESS

Gage	Thickness in Inches				Weight				Thickness in Millimeters		
	Min.	Max.	Tolerance	Nom.	lb/sf		300	400	Nom.	Min.	Max.
					300	400					
31	.0089	.0129	.002	.0109	.459	.451	2.239	2.200	.2769	.2269	.3269
30	.0105	.0145	.002	.0125	.525	.515	2.562	2.512	.3175	.2675	.3675
29	.0121	.0161	.002	.0141	.591	.579	2.883	2.825	.3581	.3081	.4081
28	.0136	.0176	.002	.0156	.656	.644	3.200	3.142	.3962	.3462	.4462
27	.0142	.0202	.003	.0172	.722	.708	3.522	3.454	.4369	.3569	.5169
26	.0158	.0218	.003	.0188	.788	.773	3.844	3.771	.4775	.3975	.5575
25	.0189	.0249	.003	.0219	.919	.901	4.483	4.395	.5562	.4762	.6362
24	.0220	.0280	.003	.0250	1.050	1.030	5.122	5.025	.6350	.5550	.7150
23	.0241	.0321	.004	.0281	1.181	1.159	5.761	5.654	.7137	.6137	.8137
22	.0273	.0353	.004	.0313	1.313	1.288	6.405	6.283	.7950	.6950	.8950
21	.0304	.0384	.004	.0344	1.444	1.416	7.044	6.908	.8738	.7738	.9738
20	.0335	.0415	.004	.0375	1.575	1.545	7.683	7.537	.9525	.8525	1.0525
19	.0388	.0488	.005	.0438	1.838	1.803	8.966	8.796	1.1125	.9835	1.2425
18	.0450	.0550	.005	.0500	2.100	2.060	10.245	10.050	1.2700	1.1400	1.4000
17	.0513	.0613	.005	.0563	2.363	2.318	11.528	11.308	1.4300	1.300	1.5600
16	.0565	.0685	.006	.0625	2.625	2.575	12.806	12.562	1.5875	1.4375	1.7375
15	.0643	.0763	.006	.0703	2.953	2.897	14.406	14.133	1.2856	1.6356	1.9356
14	.0711	.0851	.007	.0781	3.281	3.219	16.006	15.704	1.9837	1.8037	2.1637
13	.0858	.1018	.008	.0938	3.938	3.863	19.211	18.845	2.3825	2.1825	2.5825
12	.1000	.1184	.009	.1094	4.594	4.506	22.411	21.982	2.7788	2.5488	2.9788
11	.1150	.1350	.010	.1250	5.250	5.150	25.612	25.124	3.1750	2.9250	3.4250
10	.1286	.1526	.012	.1406	5.906	5.794	28.812	28.265	3.5712	3.2712	3.8712
9	.1423	.1703	.014	.1563	6.563	6.438	32.017	31.407	3.9700	3.6100	4.3300
8	.1579	.1859	.014	1719	7.219	7.081	35.217	34.544	4.3663	4.0063	4.7263

ASTM- A167 - Stainless and Heat-Resisting Chromium-Nickel Steel Plate, Sheet, and Strip" (Properties of the 300 series)

ASTM- A480 - Standard Specification for General Requirements for Flat-Rolled Stainless and Heat-Resisting Steel Plate, Sheet, and Strip"

- Finishes:
- No. 1 Finish - Hot-rolled, annealed, and descaled.
  - No. 2 D Finish - Cold-rolled, dull finish.
  - No. 3 B Finish - Cold-rolled, bright finish.
  - Bright Annealed Finish - A bright cold-rolled finish retained by annealing in a controlled atmosphere furnace.
  - No. 3 Finish - Intermediate polished finish, one or both sides.
  - No. 4 Finish - General purpose polished finish, one or both sides.
  - No. 6 Finish - Dull satin finish, Tampico brushed, one or both sides.
  - No. 7 Finish - High luster finish.
  - No. 8 Finish - Mirror finish.

The 300 series weight is based on 41.99 lb per square foot per inch of thickness (or 504 lb/cf).

The 400 series weight is based on 41.20 lb per square foot per inch of thickness (or 494 lb/cf).

ASTM- A666 covers the structural grade of stainless steel (not used for ducts). For design criteria, generally, consult the *AISI Stainless Steel Cold-Formed Structural Design Manual*. For general application and corrosion data consult the *AISI Design Guidelines for the Selection and use of Stainless Steels*.



## ALUMINUM SHEET THICKNESS—ALLOY 3003—H14

Thickness in Inches				Weight		Thickness in Millimeters		
Nom.	Tolerance 48" & (60") Width	Min.	Max.			Nom.	Min.	Max.
.016	.0015	.0145	.0175	.228	1.114	.4068	.3683	.4445
.020	.0025 (.003)	.018	.022	.285	1.393	.508	.4572	.5588
.024	.0025 (.003)	.022	.026	.342	1.671	.6096	.5588	.6604
.025	.0025 (.003)	.023	.027	.356	1.7398	.635	.5842	.6858
.032	.0025 (.0035)	.0295	.0345	.456	2.228	.8128	.7493	.8763
.040	.0035 (.0045)	.0365	.0435	.570	2.786	1.016	.9271	1.1049
.050	.0035 (.005)	.0465	.0535	.713	3.484	1.27	1.1811	1.3589
.063	.0035 (.005)	.0595	.0665	.898	4.389	1.600	1.5113	1.6891
.080	.0045 (.006)	.0755	.0845	1.140	5.571	2.032	1.9117	2.1463
.090	.0045 (.006)	.0855	.0945	1.283	6.270	2.286	2.1717	2.4003
.100	.0055 (.007)	.0945	.1055	1.426	6.969	2.54	2.4003	2.6797
.125	.0055 (.007)	.1195	.1305	1.782	8.709	3.175	3.0353	3.3147

Weight is based on 14.256 lb per square foot per inch of thickness (or 171.1 lb/cf). Alloy 1100 is of slightly lower density.

Specification references: ASTM B209 Standard Specification of Aluminum Alloy Sheet and Plate which references ANSI *Standard H- 35.2 Dimensional Tolerances for Aluminum Mill Products*.

Other useful references are published by the Aluminum Association: *Specification for Aluminum Structures; Engineering Data for Aluminum Structures; Aluminum Standards and Data*.



## METRIC CONVERSION CHART

### INCHES INTO MILLIMETERS

INCHES	0"	1"	2"	3"	4"	5"	6"	7"	8"	9"	10"	11"
		25.4	50.8	76.2	101.6	127.0	152.4	177.8	203.2	228.6	254.0	279.4
1/16"	1.6	27.0	52.4	77.8	103.2	128.6	154.0	179.4	204.8	230.2	255.6	281.0
1/8"	3.2	28.6	54.0	79.4	104.8	130.2	155.6	181.0	206.4	231.8	257.2	282.6
3/16"	4.8	30.2	55.6	81.0	106.4	131.8	157.2	192.6	208.0	233.4	258.8	284.2
1/4"	6.4	31.8	57.2	82.6	108.0	133.4	158.8	184.2	209.6	235.0	260.4	285.8
5/16"	7.9	33.3	58.7	84.1	109.5	134.9	160.3	185.7	211.1	236.5	261.5	287.3
3/8"	9.5	34.9	60.3	85.7	111.1	136.5	161.9	187.3	212.7	238.1	263.5	288.1
7/16"	11.1	36.5	61.9	87.3	112.7	138.1	163.5	188.9	214.3	239.7	265.1	290.5
1/2"	12.7	38.1	63.5	88.9	114.3	139.7	165.1	190.5	215.9	241.3	266.7	292.1
8/16"	14.3	39.7	65.1	90.5	115.9	141.3	166.7	192.1	217.5	242.9	268.3	293.7
5/8"	15.9	41.3	66.7	92.1	117.5	142.9	168.3	193.7	219.1	244.5	269.9	295.3
11/16"	17.5	42.9	68.3	93.7	119.1	144.5	169.9	195.3	220.7	246.1	271.5	296.9
3/4"	19.1	44.5	69.9	95.3	120.7	146.1	171.5	196.9	222.3	247.7	273.1	298.5
13/16"	20.6	46.0	71.4	96.8	122.2	147.6	173.0	198.4	223.8	249.2	274.6	300.0
7/8"	22.2	47.6	73.0	98.4	123.8	149.2	174.6	200.0	225.4	250.8	276.2	301.6
16/16"	23.8	49.2	74.6	100.0	125.4	150.8	176.2	201.6	227.0	252.4	277.8	303.2

### FEET TO METERS (1 METER = 1000 MILLIMETERS)

1'-0"	2'-0"	3'-0"	4'-0"	5'-0"	6'-0"	7'-0"	8'-0"	9'-0"	10'-0"	11'-0"	12'-0"	13'-0"
0.3048	0.6096	0.9144	1.2192	1.5240	1.8288	2.1336	2.4384	2.7432	3.0480	3.3528	3.6576	3.9624
14'-0"	15'-0"	16'-0"	17'-0"	18'-0"	19'-0"	20'-0"	21'-0"	22'-0"	23'-0"	24'-0"	25'-0"	26'-0"
4.2672	4.5720	4.8768	5.1816	5.4864	5.7912	6.0960	6.4008	6.7056	7.0104	7.3152	7.6200	7.9248
27'-0"	28'-0"	29'-0"	30'-0"	31'-0"	32'-0"	33'-0"	34'-0"	35'-0"	36'-0"	37'-0"	38'-0"	39'-0"
8.2296	8.5344	8.8392	9.1440	9.4488	9.7536	10.0584	10.3632	10.6680	11.2776	11.2776	11.5824	11.8872





## DUCT SURFACE AREA IN SQUARE FEET PER LINEAR FOOT

DUCT DIMENSION (WIDTH)																							
	6"	8"	10"	12"	14"	16"	18"	20"	22"	24"	26"	28"	30"	36"	42"	48"	54"	60"	66"	72"	84"	96"	108"
		2.33	2.67	3.00	3.33	3.67	4.00	4.33	4.67	5.00	5.33	5.67	6.00	7.00	8.00	9.00	10.00	11.00	12.00	13.00	15.00	17.00	19.00
6"		2.67	3.00	3.33	3.67	4.00	4.33	4.67	5.00	5.33	5.67	6.00	6.33	7.33	8.33	9.33	10.33	11.33	12.33	13.33	15.33	17.33	19.33
8"			3.33	3.67	4.00	4.33	4.67	5.00	5.33	5.67	6.00	6.33	6.67	7.67	8.67	9.67	10.67	11.67	12.67	13.67	15.67	17.67	19.67
10"				4.00	4.33	4.67	5.00	5.33	5.67	6.00	6.33	6.67	7.00	8.00	9.00	10.00	11.00	12.00	13.00	14.00	16.00	18.00	20.00
12"					4.67	5.00	5.33	5.67	6.00	6.33	6.67	7.00	7.33	8.33	9.33	10.33	11.33	12.33	13.33	14.33	16.33	18.33	20.33
14"						5.33	5.67	6.00	6.33	6.67	7.00	7.33	7.67	8.67	9.67	10.67	11.67	12.67	13.67	14.67	16.67	18.67	20.67
16"							6.00	6.33	6.67	7.00	7.33	7.67	8.00	9.00	10.00	11.00	12.00	13.00	14.00	15.00	17.00	19.00	21.00
18"								6.67	7.00	7.33	7.67	8.00	8.33	9.33	10.33	11.33	12.33	13.33	14.33	15.33	17.33	19.33	21.33
20"									7.33	7.67	8.00	8.33	8.67	9.67	10.67	11.67	12.67	13.67	14.67	15.67	17.67	19.67	21.67
22"										8.00	8.33	8.67	9.00	10.00	11.00	12.00	13.00	14.00	15.00	16.00	18.00	20.00	22.00
24"											8.67	9.00	9.33	10.33	11.33	12.33	13.33	14.33	15.33	16.33	18.33	20.33	22.33
26"												9.33	9.67	10.67	11.67	12.67	13.67	14.67	15.67	16.67	18.67	20.67	22.67
28"													10.00	11.00	12.00	13.00	14.00	15.00	16.00	17.00	19.00	21.00	23.00
30"														12.00	13.00	14.00	15.00	16.00	17.00	18.00	20.00	22.00	24.00
36"															14.00	15.00	16.00	17.00	18.00	19.00	21.00	23.00	25.00
42"																15.00	17.00	18.00	19.00	20.00	22.00	24.00	26.00
48"																	18.00	19.00	20.00	21.00	23.00	25.00	27.00
54"																		20.00	21.00	22.00	24.00	26.00	28.00
60"																			22.00	23.00	25.00	27.00	29.00
66"																				24.00	26.00	28.00	30.00
72"																					28.00	30.00	32.00
84"																						32.00	34.00
96"																							36.00
108"																							

## Galvanized Sheet Weight

LB/S.F. S.F.	← 23.2%		← 30.2%		← 17.8%		← 21.6%		← 27.6%		← 16%**	
	2.656 16 ga.	2.156 18 ga.	1.656 20 ga.	1.406 22 ga.	1.156 24 ga.	.906 26 ga.	.781 28 ga.					
2.33	6.19	5.02	3.86	3.28	2.69	2.11	1.82					
2.67	7.09	5.76	4.42	3.75	3.09	2.42	2.09					
3.00	7.96	6.47	4.97	4.22	3.47	2.72	2.34					
3.33	8.84	7.18	5.51	4.68	3.85	3.02	2.60					
3.67	9.75	7.91	6.08	5.16	4.24	3.33	2.87					
4.00	10.62	8.62	6.62	5.62	4.62	3.62	3.12					
4.33	11.50	9.34	7.17	6.09	5.01	3.92	3.38					
4.67	12.40	10.07	7.73	6.57	5.40	4.23	3.65					
5.00	13.28	10.78	8.28	7.03	5.78	4.53	3.91					
5.33	14.16	11.49	8.83	7.49	6.16	4.83	4.16					
5.67	15.06	12.22	9.39	7.97	6.55	5.14	4.43					
6.00	15.94	12.94	9.94	8.44	6.94	5.44	4.69					
6.33	16.81	13.65	10.48	8.90	7.32	5.73	4.94					
6.67	17.72	14.38	11.05	9.38	7.71	6.04	5.21					
7.00	18.59	15.09	11.59	9.84	8.09	6.34	5.47					
7.33	19.47	15.80	12.14	10.31	8.47	6.64	5.72					
7.67	20.37	16.54	12.70	10.78	8.87	6.95	5.99					
8.00	21.25	17.28	13.25	11.25	9.25	7.25	6.25					
8.33	22.12	17.96	13.79	11.71	9.63	7.55	6.51					
8.67	23.03	18.69	14.36	12.19	10.02	7.86	6.77					
9.00	23.90	19.40	14.90	12.65	10.40	8.15	7.03					
9.33	24.78	20.12	15.45	13.12	10.79	8.45	7.29					
9.67	25.68	20.85	16.01	13.60	11.18	8.76	7.55					
10.00	26.56	21.56	16.56	14.06	11.56	9.06	7.81					
10.33	27.44	22.27	17.11	14.52	11.94	9.36	8.07					
10.67	28.34	23.00	17.67	15.00	12.33	9.67	8.33					
11.00	29.22	23.72	18.22	15.47	12.72	9.97	8.50					
11.33	30.09	24.43	18.76	15.93	13.10	10.26	8.85					
11.67	30.96	25.16	19.33	16.41	13.49	10.57	9.11					
12.00	31.87	25.87	19.87	16.87	13.87	10.87	9.37					
12.33	32.75	26.58	20.42	17.34	14.25	11.17	9.63					
12.67	33.65	27.32	20.96	17.81	14.65	11.48	9.90					
13.00	34.53	28.03	21.53	18.28	15.03	11.78	10.15					
13.33	35.40	28.74	22.07	18.74	15.41	12.08	10.41					
13.67	36.31	29.47	22.64	19.22	15.80	12.39	10.68					
14.00	37.18	30.18	23.18	19.68	16.18	12.68	10.93					
14.33	38.06	30.90	23.73	20.15	16.57	12.98	11.19					
14.67	38.96	31.63	24.29	20.63	16.96	13.29	11.46					
15.00	39.84	32.34	24.84	21.09	17.34	13.59	11.72					
15.33	40.72	33.05	25.39	21.55	17.72	13.89	11.97					
15.67	41.62	33.78	25.95	22.03	18.11	14.20	12.24					
16.00	42.50	34.50	26.50	22.50	18.50	14.50	12.50					
16.33	43.37	35.21	27.04	22.96	18.88	14.79	12.75					
16.67	44.28	35.94	27.61	23.44	19.27	15.10	13.02					
17.00	45.15	36.65	28.15	23.90	19.65	15.40	13.28					
17.33	46.03	37.36	28.70	24.37	20.03	15.70	13.53					
17.67	46.93	38.10	29.26	24.84	20.43	16.01	13.80					
18.00	47.81	38.81	29.81	25.31	20.81	16.31	14.06					
18.33	48.68	39.52	30.35	25.77	21.19	16.61	14.32					
18.67	49.59	40.25	30.92	26.25	21.58	16.92	14.58					
19.00	50.46	40.96	31.46	26.71	21.96	17.21	14.84					

\*\* INCREASE IN WEIGHT



## Galvanized Sheet Weight (continued)

LB/S.F. S.F.	← 23.2%		← 30.2%		← 17.8%		← 21.6%		← 27.6%		← 16%**	
	2.656 16 ga.	2.156 18 ga.	1.656 20 ga.	1.406 22 ga.	1.156 24 ga.	.906 26 ga.	.781 28 ga.					
19.33	51.34	41.68	32.01	27.18	22.35	17.51	15.10					
19.67	52.24	42.41	32.57	27.66	22.74	17.82	15.36					
20.00	53.12	43.12	33.12	28.12	23.12	18.12	15.62					
20.33	54.00	43.83	33.67	28.58	23.50	18.42	15.88					
20.67	54.90	44.56	34.23	29.06	23.89	18.73	16.14					
21.00	55.78	45.28	34.78	29.53	24.28	19.03	16.40					
21.33	56.65	45.99	35.32	29.99	24.66	19.32	16.66					
21.67	57.56	46.72	35.89	30.47	25.05	19.63	16.92					
22.00	58.43	47.43	36.43	30.93	25.43	19.93	17.18					
22.33	59.31	48.14	36.98	31.40	25.81	20.23	17.44					
22.67	60.21	48.88	37.54	31.87	26.21	20.54	17.71					
23.00	61.09	49.59	38.09	32.34	26.59	20.84	17.96					
23.33	61.96	50.30	38.63	32.80	26.97	21.14	18.22					
23.67	62.87	51.03	39.20	33.28	27.36	21.45	18.49					
24.00	63.74	51.74	39.74	33.74	27.74	21.74	18.74					
24.33	64.62	52.46	40.29	34.20	28.13	22.04	19.00					
24.67	65.52	53.19	40.85	34.69	28.52	22.35	19.27					
25.00	66.40	53.90	41.40	35.15	28.90	22.65	19.53					
25.33	67.28	54.61	41.95	35.61	29.28	22.95	19.78					
25.67	68.18	55.34	42.51	36.09	29.67	23.26	20.05					
26.00	69.06	56.06	43.01	36.56	30.06	23.56	20.31					
26.33	69.93	56.77	43.60	37.02	30.44	23.85	20.56					
26.67	70.84	57.50	44.17	37.50	30.83	24.16	20.83					
27.00	71.71	58.21	44.71	37.96	31.21	24.46	21.09					
27.33	72.59	58.92	45.26	38.43	31.59	24.76	21.34					
27.67	73.49	59.66	45.82	38.90	31.99	25.07	21.61					
28.00	74.37	60.37	46.36	39.37	32.37	25.37	21.87					
28.33	75.24	61.08	46.91	39.83	32.75	25.67	22.13					
28.67	76.15	61.81	47.48	40.31	33.14	25.98	22.39					
29.00	77.02	62.52	48.02	40.77	33.52	26.27	22.65					
29.33	77.90	63.24	48.57	41.24	33.91	26.57	22.91					
29.67	78.80	63.97	49.13	41.72	34.30	26.88	23.17					
30.00	79.68	64.68	49.68	42.18	34.68	27.18	23.43					
30.33	80.56	65.39	50.23	42.64	35.06	27.48	23.69					
30.67	81.46	66.12	50.79	43.12	35.45	27.79	23.95					
31.00	82.34	66.84	51.34	43.59	35.84	28.09	24.21					
31.33	83.21	67.55	51.88	44.05	36.22	28.38	24.47					
31.67	84.12	68.28	52.45	44.53	36.61	28.69	24.73					
32.00	84.79	68.99	52.99	44.99	36.99	28.99	24.99					
32.33	85.87	69.70	53.54	45.46	37.37	29.29	25.25					
32.67	86.77	70.44	54.10	45.93	37.77	29.60	25.52					
33.00	87.65	71.15	54.65	46.40	38.15	29.90	25.77					
33.33	88.52	71.86	55.19	46.86	38.53	30.20	26.03					
33.67	89.43	72.59	55.76	47.34	38.97	30.51	26.30					
34.00	90.30	73.30	56.30	47.80	39.30	30.80	26.55					
34.33	91.18	74.02	56.85	48.27	39.69	31.10	26.81					
34.67	92.08	74.75	57.41	48.75	40.08	31.41	27.08					
35.00	92.96	75.46	57.96	49.21	40.46	31.71	27.34					
35.33	93.84	76.17	58.51	49.67	40.84	32.01	27.59					
35.67	94.74	76.90	59.07	50.15	41.23	32.32	27.86					
36.00	95.62	77.62	59.62	50.62	41.62	32.62	28.12					

\*\* INCREASE IN WEIGHT





## APPROXIMATE WEIGHT – ROUND DUCT IN POUNDS PER LINEAL FOOT

DIA. \ GA.	30S		30L		28S		28L		26S		26L		24S		24L		22S		22L		20S		20L		18S		18L		16S		16L	
3"	0.6	0.60	0.7	0.71	0.9	0.82	1.0	1.05	1.2	1.28	1.3	1.51	2.0	1.97	2.42																	
4"	0.8	0.77	0.9	0.92	1.2	1.06	1.3	1.36	1.5	1.65	1.8	1.94	2.6	2.53	3.12																	
5"	0.9	0.94	1.1	1.12	1.4	1.30	1.6	1.66	2.0	2.02	2.3	2.38	3.2	3.10	3.81																	
6"	1.1	1.11	1.4	1.32	1.7	1.54	2.0	1.96	2.4	2.39	2.6	2.81	3.7	3.66	4.51																	
7"	1.3	1.28	1.6	1.53	1.9	1.77	2.4	2.26	2.8	2.75	3.3	3.24	4.3	4.23	5.20																	
8"	1.5	1.46	1.9	1.73	2.1	2.01	2.6	2.57	3.2	3.12	3.7	3.68	4.8	4.79	5.90																	
9"	1.6	1.63	2.0	1.94	2.3	2.25	3.0	2.87	3.5	3.49	4.0	4.11	5.3	5.36	6.60																	
10"	1.9	1.80	2.2	2.14	2.5	2.48	3.3	3.17	4.0	3.86	4.7	4.54	6.0	5.92	7.29																	
11"	2.0	1.97	2.4	2.35	2.8	2.72	3.6	3.48	4.4	4.23	5.1	4.98	6.7	6.49	7.99																	
12"	2.2	2.14	2.6	2.55	3.0	2.96	3.8	3.78	4.7	4.60	5.2	5.41	7.2	7.05	8.68																	
14"		2.49	3.0	2.96	3.5	3.43	4.4	4.38	5.4	5.33	6.4	6.28	8.3	8.19	10.08																	
16"		2.83	3.4	3.37	4.0	3.91	5.1	4.99	6.2	6.07	7.3	7.15	9.4	9.32	11.47																	
18"		3.18	3.8	3.78	4.4	4.38	5.7	5.59	6.9	6.80	8.1	8.01	10.5	10.45	12.86																	
20"			4.2	4.19	5.0	4.86	6.4	6.20	7.8	7.54	9.0	8.88	11.7	11.58	14.25																	
22"			4.7	4.60	5.4	5.33	7.0	6.80	8.4	8.28	9.9	9.75	12.9	12.71	15.64																	
24"			5.2	5.01	6.0	5.80	7.8	7.41	9.5	9.01	11.0	10.62	14.4	13.84	17.04																	
26"					6.6	6.28	8.5	8.02	10.3	9.75	12.2	11.48	15.8	14.97	18.43																	
28"					7.0	6.75	8.9	8.62	11.0	10.49	12.9	12.35	16.5	16.10	19.82																	
30"					7.1	7.23	9.3	9.23	11.8	11.22	13.6	13.22	17.2	17.23	21.21																	
32"						7.70	10.1	9.83	12.6	11.96	14.6	14.09	18.9	18.36	22.60																	
34"						8.18		10.44		12.70		14.95		19.49	24.00																	
36"						8.65	11.5	11.05	14.2	13.43	16.6	15.82	21.5	20.62	25.39																	
40"						9.60	12.8	12.26	15.5	14.91	18.5	17.56	23.8	22.88	28.17																	
44"						10.55	14.4	13.47	17.4	16.38	20.5	19.29	26.7	25.15	30.96																	
48"						11.50	15.4	14.68	18.7	17.85	22.2	21.03	29.2	27.41	33.74																	
50"							16.0	15.28	19.5	18.59	23.3	21.89	30.0	28.54	35.13																	
54"								16.50		20.06		23.63		30.80	37.91																	
56"								17.10		20.79		24.50		31.93	39.31																	
60"								18.31		22.27		26.23		34.19	42.09																	
72"								21.95		26.69		31.44		40.98	50.44																	
84"								25.58		31.11		36.64		47.76	58.79																	

Note: 1. Liner and/or exterior insulation weight excluded.  
2. Based on galvanized steel. Investigate tolerances for closer estimates.

S = Spiral duct - from manufacturers published tables.  
L = Longitudinal seam with 1- 1/2" seam allowance.



## AREA AND CIRCUMFERENCES OF CIRCLES

Diameter Inches	Area		Circumference		Diameter Inches	Area		Circumference	
	Sq. In.	Sq. Ft.	In.	Ft.		Sq. In.	Sq. Ft.	In.	Ft.
1	0.7854	.00545	3.142	.2618	51	2042.82	14.19	160.22	13.35
2	3.1416	.0218	6.283	.5236	52	2123.72	14.75	163.36	13.61
3	7.0686	.0491	9.425	.7854	53	2206.18	15.32	166.50	13.88
4	12.5664	.0873	12.566	1.047	54	2290.22	15.90	169.65	14.14
5	19.6350	.1364	15.708	1.309	55	2375.83	16.50	172.79	14.40
6	28.2743	.1964	18.850	1.571	56	2463.01	17.10	175.93	14.66
7	38.4845	.2673	21.991	1.833	57	2551.76	17.72	179.07	14.92
8	50.2655	.3491	25.133	2.094	58	2642.08	18.35	182.21	15.18
9	63.6173	.4418	28.274	2.356	59	2733.97	18.99	185.35	15.45
10	78.5398	.5454	31.416	2.618	60	2827.43	19.63	188.50	15.71
11	95.0332	.6600	34.558	2.880	61	2922.47	20.29	191.64	15.97
12	113.097	.7854	37.699	3.142	62	3019.07	20.97	194.78	16.23
13	132.732	.9218	40.841	3.403	63	3117.25	21.65	197.92	16.49
14	153.938	1.069	43.982	3.665	64	3216.99	22.34	201.06	16.76
15	176.715	1.227	47.124	3.927	65	3318.31	23.04	204.20	17.02
16	201.062	1.396	50.265	4.189	66	3421.19	23.76	207.35	17.28
17	226.980	1.576	53.407	4.451	67	3525.65	24.48	210.49	17.54
18	254.469	1.767	56.549	4.712	68	3631.68	25.22	213.63	17.80
19	283.529	1.969	59.690	4.974	69	3739.28	25.97	216.67	18.06
20	314.159	2.182	62.832	5.236	70	3848.45	26.73	219.91	18.33
21	346.361	2.405	65.973	5.498	71	3959.19	27.49	233.05	18.69
22	380.133	2.640	69.115	5.760	72	4071.50	28.27	226.19	18.85
23	415.476	2.885	72.257	6.021	73	4185.39	29.07	229.34	19.11
24	452.389	3.142	75.398	6.283	74	4300.84	29.87	232.48	19.37
25	490.874	3.409	78.540	6.545	75	4417.86	30.68	235.62	19.63
26	530.929	3.687	81.681	6.807	76	4536.46	31.50	238.76	19.90
27	572.555	3.976	84.823	7.069	77	4656.63	32.34	241.90	20.16
28	615.752	4.276	87.965	7.330	78	4778.36	33.18	245.04	20.42
29	660.520	4.587	91.106	7.592	79	4901.67	34.04	248.19	20.68
30	706.859	4.909	94.248	7.854	80	5026.55	34.91	251.33	20.94
31	754.768	5.241	97.389	8.116	81	5153.00	35.78	254.47	21.21
32	804.248	5.585	100.531	8.378	82	5281.02	36.67	257.61	21.47
33	855.299	5.940	103.673	8.639	83	5410.61	37.57	260.75	21.73
34	907.920	6.305	106.814	8.901	84	5541.77	38.48	263.89	21.99
35	962.113	6.681	109.956	9.163	85	5674.50	39.41	267.04	22.25
36	1017.88	7.069	113.097	9.425	86	5808.80	40.34	270.18	22.51
37	1075.21	7.467	116.239	9.686	87	5944.68	41.28	273.32	22.78
38	1134.11	7.876	119.381	9.948	88	6082.12	42.24	276.46	23.04
39	1194.59	8.296	122.522	10.21	89	6221.14	43.20	279.60	23.30
40	1256.54	8.727	125.66	10.47	90	6361.73	44.18	282.74	23.56
41	1320.25	9.168	128.81	10.73	91	6503.88	45.17	285.88	23.82
42	1385.44	9.621	131.95	10.99	92	6647.61	46.16	289.03	24.09
43	1452.20	10.08	135.09	11.26	93	6792.91	47.17	292.17	24.35
44	1520.53	10.56	138.23	11.52	94	6939.78	48.19	295.31	24.61
45	1590.43	11.04	141.37	11.78	95	7088.78	49.22	298.45	24.87
46	1661.90	11.54	144.51	12.04	96	7238.23	50.27	301.59	25.13
47	1734.94	12.05	147.65	12.30	97	7389.81	51.32	304.73	25.39
48	1809.56	12.51	150.80	12.57	98	7542.96	52.38	307.88	25.66
49	1885.74	13.09	153.94	12.83	99	7699.69	53.46	311.02	25.92
50	1963.50	13.64	157.08	13.09	100	7853.98	54.54	314.16	26.18



### Angle, Bar & Channel Properties

Size	Description	Weight lbs/ft	Rated Z	Rated $I_x$
1 x 1 x 1/8	Angle	.80	.031	.022
1 1/4 x 1 1/4 x 1/8	Angle	1.02	.049	.044
1 1/2 x 1/8	Bar	.64	.035	.035
1 x 1/4	Bar	.85	.042	.021
1 1/2 x 1 1/2 x 1/8	Angle	1.23	.072	.078
1 1/2 x 1 1/2 x 1/4	Angle	2.34	.134	.139
2 x 2 x 1/8	Angle	1.65	.131	.190
2 x 1/4	Bar	1.70	.167	.167
2 x 2 x 3/16	Angle	2.44	.190	.272
2 x 2 x 5/16	Angle	3.92	.30	.416
3 x 1/4	Bar	2.55	.375	.563
2 1/2 x 2 1/2 x 1/4	Angle	4.1	.394	.703
3 x 3/16	Bar	3.19	.469	.703
2 1/2 x 2 1/2 x 3/8	Angle	5.9	.566	.984
3 x 3 x 1/4	Angle	4.9	.577	1.24
3 x 2 x 3/8	Angle	5.9	.781	1.53
4 x 4 1/4	Angle	6.6	1.05	3.04
4 x 4 x 5/16	Angle	8.2	1.29	3.71
4 x 1/2	Bar	6.8	1.334	2.667
C4	Channel	5.4	1.93	3.85
4 x 3 1/2 x 1/2	Angle	11.9	1.94	5.32
C5	Channel	6.7	3.00	7.49
C5	Channel	9	3.56	8.90

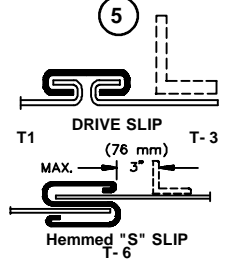
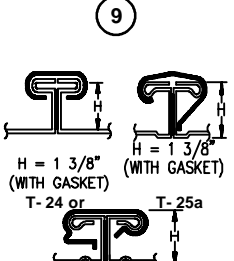
Z is section modulus in in.<sup>3</sup>.

Stress is  $M/Z$  where M is bending moment.

$I_x$  is moment of inertia in in.<sup>4</sup>.

For steel, the nominal rigidity index  $EI$  is  $290 \times 10^6 \times I_x$ .



2" w.g. STATIC POS. OR NEG.				NARROWSCOPE DUCT CONSTRUCTION TABLE 1-5 E4							INTERMEDIATE REINFORCEMENT			
				TRANSVERSE JOINT REINFORCEMENT										
①	②	③	④	⑤		⑥	⑦	⑧	⑨	⑩	①	⑫		
DUCT DIM.	DUCT GA. (MIN.)	REINF. SPACING (MAX.)	REINF. CODE GRADE	 DRIVE SLIP (76 mm) T-3 MAX. 3" Hemmed "S" SLIP T-6		STANDARD S T-10	STANDARD S T-12	STANDARD S (BAR REINFORCED) T-13	STANDARD S (ANGLE REINFORCED) T-14	 H = 1 3/8" (WITH GASKET) T-24 or T-25a H = 1 3/8" (WITH GASKET) T-25b	T-24a (WITH GASKET)	ANGLE	ZEE	
				SLIP GAGE	BACKUP									
10" dn.	26	None		24	None	H x T	H x T	H x T + HR		H = 13/8"	H x T	H x T (MIN)	H x B x T (MIN)	
11"- 20"	26	4'	C	24	*	1 x 22 ga.	1 x 24 ga.	NOT USE D		26 ga.	1 x 22 ga.	1 x 1/8 ga.		
21"- 26"	26	4'	D	24	*	1 1/8 x 20 ga.	1 x 20 ga. or 1 1/2 x 22 ga.				24 ga.		1 1/4 x 12 ga. or 1 x 1/8 HR	1 x 3/4 x 18 ga.
29"- 30"	26	4"	E	24	*	1 1/8 x 18 ga.	1 x 18 ga. or 1 1/2 x 20 ga.					1 1/2 x 20 ga.		
31"- 42"	24	4"	F	24	*	1 5/8 x 18 ga.	1 1/2 x 18 ga.	1 5/8 x 22 ga. 1 1/2 x 1/8 Bar		22 ga.				
43"- 48"	22	4"	G	24	*	1 5/8 x 18 ga.	1 1/2 x 18 ga.	1 5/8 x 20 ga. 1 1/2 x 1/8 Bar		20 ga.	1 1/2 x 18 ga.	1 1/2 x 1/8	1 1/2 x 3/4 x 16 ga.	
49"- 60"	24	2	F	24	*	1 5/8 x 18 ga.	1 1/2 x 18 ga.	1 5/8 x 20 ga. 1 1/2 x 1/8 Bar		22 ga.	1 1/2 x 20 ga.			
61"- 72"	24	2	H	24	*	NOT GIVEN	NOT GIVEN	1 5/8 x 18 ga. 1 1/2 x 1/8 Angle				2 x 1/8	1 1/2 x 3/4 x 1/8	
73"- 84"	22	2	I	22	*					2 1/8 x 20 ga. 2 x 1/8 ga. Angle			NOT GIVEN	2 x 3/16
85"- 96"	22	2'	I	22	*					20 ga. + rods				

**NOTES:**

- \*Means use back-up member from columns 11 or 12. Exception: the drive only requires back-up over 20" length.
- Spacing in column 3 refers to joint- to- joint, joint- to- intermediate, or intermediate- to- intermediate.
- The same sheet thickness must be used on all sides of duct. Each duct dimension, width, or depth, controls the minimum reinforcement requirements for that particular side.
- Duct sides 19" wide and larger which have more than ten square feet of unbraced panel shall be beaded or crossbraken unless the ducts will have external insulation or internal liner. This applies to ducts of 20 ga. or less.
- Contents of the narrow scope tables and these notes do not constitute all requirements for the construction's compliance. Complete details are provided in the manual entitled HVAC Duct Construction Standards, Metal and Flexible.

- The manual is available from local SMACNA chapter offices or the National Association office; inquire for terms.
- Construction conforming to the standard does not prevent some traditionally acceptable rumble (noise) under sudden pressure change conditions such as start up and shut down of systems.

**COMMENT:**

Construction tables are prepared in "narrow scope" for 2" water gage and 1" water gage pressure classifications. These tables have been produced for the convenience of those contractors or engineers who wish to have fewer options.

Sheet Metal and Air Conditioning Contractors Association, Chantilly, Va.



2" w.g. STATIC POS. OR NEG.				NARROWSCOPE DUCT CONSTRUCTION TABLE 1-5 E5							INTERMEDIATE REINFORCEMENT	
				TRANSVERSE JOINT REINFORCEMENT								
1	2	3	4	5		6	7	8	9	10	11	12
DUCT DIM.	DUCT GA. (MIN.)	REINF. SPACING (MAX.)	REINF. CODE GRADE	SLIP GAGE	BACKUP	STANDARD S T-10	STANDARD S T-12	STANDARD S (ANGLE REINFORCED) T-14	T-24 or T-25a	T-24a (WITH GASKET)	ANGLE	ZEE
10" dn.	26	None		24	None	H x T	H x T	H x T + HR	H = 1 3/8"	H x T	H x T (MIN)	H x B x T (MIN)
11"- 20"	26	5'	C	24	*	1 x 22 ga.	1 x 22 ga.	NOT USED	26 ga.	1 x 22 ga.	1 x 18 ga.	1 x 3/4 x 18 ga.
21"- 26"	26	5'	D	24	*	1 1/8 x 20 ga.	1 x 20 ga.		24 ga.	1 1/2 x 20 ga.	1 1/4 x 12 ga. or 1 x 1/8	1/2 x 3/4 x 16 ga.
27"- 30"	24	5'	E	24	*	1 1/8 x 18 ga.	1 x 18 ga.		22 ga.		1 1/2 x 18 ga.	
31"- 36"	22	5'	F	24	*	1 5/8 x 18 ga.	1 1/2 x 18 ga.	1 5/8 x 22 ga. 1 1/2 x 1/8 Bar	22 ga. + rods	11/2 x 18 ga.	1 1/2 x 1/8	1/2 x 3/4 x 16 ga.
37" - 54"	24	2 1/2"	F	24	*	1 5/8 x 18 ga.	1 1/2 x 18 ga.	1 5/8 x 20 ga. 1 1/2 x 1/8 Bar				
55" - 60"	24	2 1/2"	G	24	*	1 5/8 x 18 ga.	1 1/2 x 18 ga.	1 5/8 x 18 ga. 1 1/2 x 1/8 Angle	20 ga. + rods	NOT GIVEN	2 x 1/8	1 1/2 x 3/4 x 1/8
61" - 72"	22	2 1/2"	H	24	*	NOT GIVEN	NOT GIVEN	2 1/8 x 20 ga. 2 x 1/8 ga. Angle			2 x 3/16	2 x 1 1/8 x 12 ga.
73"- 84"	22	2 1/2"	I	22	*							
85"- 96"	20	2 1/2"	I	22	*							

**NOTES:**

- \*Means use back-up member from columns 11 or 12. Exception: the drive only requires back-up over 20" length.
- Spacing in column 3 refers to joint-to-joint, joint-to-intermediate, or intermediate-to-intermediate.
- The same sheet thickness must be used on all sides of duct. Each duct dimension, width, or depth, controls the minimum reinforcement requirements for that particular side.
- Duct sides 19" wide and larger which have more than ten square feet of unbraced panel shall be beaded or crossbraken unless the ducts will have external insulation or internal liner. This applies to ducts of 20 ga. or less.
- Contents of the narrow scope tables and these notes do not constitute all requirements for the construction's compliance. Complete details are provided in the manual entitled HVAC Duct Construction Standards, Metal and Flexible.

The manual is available from local SMACNA chapter offices or the National Association office; inquire for terms.  
6. Construction conforming to the standard does not prevent some traditionally acceptable rumble (noise) under sudden pressure change conditions such as start up and shut down of systems.

**COMMENT:**

Construction tables are prepared in "narrow scope" for 2" water gage and 1" water gage pressure classifications. These tables have been produced for the convenience of those contractors or engineers who wish to have fewer options.

Sheet Metal and Air Conditioning  
Contractors Association, Chantilly, Va.



1" w.g. STATIC POS. OR NEG.				NARROWSCOPE DUCT CONSTRUCTION TABLE 1- 4 E4							INTERMEDIATE REINFORCEMENT	
				TRANSVERSE JOINT REINFORCEMENT								
1 DUCT DIM.	2 DUCT GA. (MIN.)	3 REINF. SPACING (MAX.)	4 REINF. CODE GRADE	5		6 STANDARD S T-10	7 STANDARD S T-12	8 STANDARD S (ANGLE REINFORCED) T-14	9 STANDARD S (BAR REINFORCED) T-13  T-24 or T-25a  T-25b	10 T-24a  (WITH GASKET)	11 ANGLE	12 ZEE
				SLIP GAGE	BACKUP							
12" dn.	26	None		24	None	H x T	H x T	H x T + HR	H = 13/8"	H x T	H x T (MIN)	H x B x T (MIN)
13"- 30"	26	4'	C	24	*	1 x 22 ga.	1 x 22 ga.	NOT USED	26 ga.	1 x 22 ga.	1 x 16 ga.	1 x 3/4 x 18 ga.
31"- 36"	26	4'	D	24	*	1 1/8 x 20 ga.	1 1/2 x 22 ga.		24 ga.	11/2 x 20 ga.	1 1/4 x 12 ga. or 1 x 1/8 HR	1 1/2 x 3/4 x 1/8 ga
37"- 42"	26	4'	E	24	*	1 1/8 x 18 ga.	1 x 18 ga.		22 ga.		1 1/2 x 1/8	
43"- 48"	24	4'	E	24	*	1 5/8 x 18 ga.	1 1/2 x 18 ga.			1 5/8 x 22 ga. 1 1/2 x 1/8 Bar		NOT GIVEN
49"- 54"	24	4'	F	24	*			NOT GIVEN	NOT GIVEN		2 1/8 x 20 ga. 2 x 1/8 ga. Angle	
55"- 60"	22	4'	F	24	*	NOT GIVEN	NOT GIVEN			2 1/8 x 20 ga. 2 x 1/8 ga. Angle		20 ga. + rods
61"- 72"	22	4'	H	24	*			NOT GIVEN	NOT GIVEN		2 1/8 x 20 ga. 2 x 1/8 ga. Angle	
73"- 84"	20	4'	I	22	*	NOT GIVEN	NOT GIVEN			2 1/8 x 20 ga. 2 x 1/8 ga. Angle		20 ga. + rods
85"- 96"	18	4'	I	20	*			NOT GIVEN	NOT GIVEN		2 1/8 x 20 ga. 2 x 1/8 ga. Angle	

**NOTES:**

- \*Means use back-up member from columns 11 or 12. Exception: the drive only requires back-up over 20" length.
- Spacing in column 3 refers to joint- to- joint, joint- to- intermediate, or intermediate- to- intermediate.
- The same sheet thickness must be used on all sides of duct. Each duct dimension, width, or depth, controls the minimum reinforcement requirements for that particular side.
- Duct sides 19" wide and larger which have more than ten square feet of unbraced panel shall be beaded or crossbraken unless the ducts will have external insulation or internal liner. This applies to ducts of 20 ga. or less.
- Contents of the narrow scope tables and these notes do not constitute all requirements for the construction's compliance. Complete details are provided in the manual entitled HVAC Duct Construction Standards, Metal and Flexible.

- The manual is available from local SMACNA chapter offices or the National Association office; inquire for terms.
- Construction conforming to the standard does not prevent some traditionally acceptable rumble (noise) under sudden pressure change conditions such as start up and shut down of systems.

**COMMENT:**

Construction tables are prepared in "narrow scope" for 2" water gage and 1" water gage pressure classifications. These tables have been produced for the convenience of those contractors or engineers who wish to have fewer options.

Sheet Metal and Air Conditioning  
Contractors Association, Chantilly, Va.



1" w.g. STATIC POS. OR NEG.				NARROWSCOPE DUCT CONSTRUCTION TABLE 1- 4 E5								INTERMEDIATE REINFORCEMENT	
				TRANSVERSE JOINT REINFORCEMENT									
1	2	3	4	5		6	7	8	9	10	11	12	
DUCT DIM.	DUCT GA. (MIN.)	REINF. SPACING (MAX.)	REINF. CODE GRADE			STANDARD S T- 10	STANDARD S T- 12	STANDARD S (BAR REINFORCED) T- 13	STANDARD S (ANGLE REINFORCED) T- 14		T- 24a (WITH GASKET)	ANGLE	ZEE
				SLIP GAGE	BACKUP								
12" dn.	26	None		24	None	H x T	H x T	H x T + HR	H = 1 3/8"	H x T	H x T (MIN)	H x B x T (MIN)	
13"- 30"	26	5'	D	24	*			NOT USED		1 x 22 ga.		1 x 3/4 x 18 ga.	
31"- 36"	24	5'	D	24	*	1 1/8 x 20 ga.	1 1/2 x 22 ga.		26 ga.				
37"- 42"	24	5'	E	24	*	1 1/8 x 18 ga.	1 x 18 ga.		24 ga.		11/4 x 12 ga. or 1 x 1/8 HR		
43"- 54"	22	5'	F	24	*	1 5/8 x 18 ga.	1 1/2 x 20 ga.		22 ga.		1 1/2 x 1/8		
55"- 60"	24	2 1/2'	E	24	*	1 1/8 x 18 ga.	1 x 18 ga.		24 ga.		1 x 1/8		1/2 x 3/4 x 18 ga.
61"- 72"	24	2 1/2'	F	24	*	15/8 x 18 ga.	1 1/2 x 20 ga.		22 ga.				
73"- 84"	22	2 1/2'	H	22	*	NOT GIVEN	NOT GIVEN		15/8 x 18 ga. 11/2 x 1/8 Angle		NOT GIVEN		
85"- 96"	20	2 1/2'	H	22	*					20 ga. + rods		11/2 x 1/8	1 1/2 x 3/4 x 1/8

**NOTES:**

- \*Means use back- up member from columns 11 or 12. Exception: the drive only requires back- up over 20" length.
- Spacing in column 3 refers to joint- to- joint, joint- to- intermediate, or intermediate- to- intermediate.
- The same sheet thickness must be used on all sides of duct. Each duct dimension, width, or depth, controls the minimum reinforcement requirements for that particular side.
- Duct sides 19" wide and larger which have more than ten square feet of unbraced panel shall be beaded or cross- broken unless the ducts will have external insulation or internal liner. This applies to ducts of 20 ga. or less.
- Contents of the narrow scope tables and these notes do not constitute all requirements for the construction's compliance. Complete details are provided in the manual entitled HVAC Duct Construction Standards, Metal and Flexible.

- The manual is available from local SMACNA chapter offices or the National Association office; inquire for terms.
- Construction conforming to the standard does not prevent some traditionally acceptable rumble (noise) under sudden pressure change conditions such as start up and shut down of systems.

**COMMENT:**

Construction tables are prepared in "narrow scope" for 2" water gage and 1" water gage pressure classifications. These tables have been produced for the convenience of those contractors or engineers who wish to have fewer options.

Sheet Metal and Air Conditioning  
Contractors Association, Chantilly, Va.



**Table 1-3, 1-4, 1-5 as Composite**

Pressure Class (Water gage)	1/2"	1/2"	1"	1"	2"	2"	1/2"	1/2"	1"	1"	2"	2"	1/2"	1/2"	1"	1"	2"	2"						
Duct Gage	22	22	22	22	22	22	24	24	24	24	24	24	26	26	26	26	26	26						
Duct Dimensions													← NOT REQUIRED →											
7" dn.				<i>Standing reinforcement is not required on duct sizes above this heavy line. Flat Slips and Drives or other choice may be used. Flat Slips and Drives must not be less than one gage below duct gage and not less than 24 gage.</i>																				
8- 10"																								
11, 12"																							B/5 <sup>D</sup>	B/8 <sup>D</sup>
13, 14"												B/5 <sup>D</sup>	B/8 <sup>D</sup>			B/10 <sup>D</sup>	B/8 <sup>D</sup>	B/5 <sup>D</sup>	B/4 <sup>D</sup>					
15, 16"						C/10 <sup>D</sup>	C/8 <sup>D</sup>			B/10 <sup>D</sup>	B/8 <sup>D</sup>	C/5 <sup>D</sup>	C/8 <sup>D</sup>			B/5 <sup>D</sup>	B/8 <sup>D</sup>	C/5 <sup>D</sup>	C/4 <sup>D</sup>					
17, 18"						C/10 <sup>D</sup>	C/8 <sup>D</sup>			B/10 <sup>D</sup>	B/8 <sup>D</sup>	C/5 <sup>D</sup>	C/8 <sup>D</sup>			B/5 <sup>D</sup>	B/8 <sup>D</sup>	C/5 <sup>D</sup>	C/4 <sup>D</sup>					
19, 20"			C/10 <sup>D</sup>	C/8 <sup>D</sup>	C/5	C/8			C/10 <sup>D</sup>	C/8 <sup>D</sup>	C/5	C/4	B/10 <sup>D</sup>	B/8 <sup>D</sup>	C/5 <sup>D</sup>	C/8 <sup>D</sup>	C/5	C/4						
21, 22"			C/10	C/8	D/5	D/8			B/10	B/8	C/10	C/8	D/5	D/4	B/10	B/8	C/5	C/4	D/5	D/4				
23, 24"			C/10	C/8	D/5	E/8			B/10	C/8	C/10	C/8	D/5	D/4	B/10	C/8	C/5	C/4	D/5	D/4				
25, 26"	C/10	C/8	D/10	D/8	D/5	E/8			C/10	C/8	C/5	D/8	D/5	D/4	C/10	C/8	C/5	C/4	D/5	D/4				
27, 28"	C/10	C/8	D/10	D/8	E/5	D/4			C/10	C/8	C/5	D/8	D/5	D/4	C/5	C/8	C/5	C/4	C/21/2	D/4				
29, 30"	C/10	C/8	E/10	D/8	E/5	E/4			C/10	C/8	D/5	D/8	E/5	E/4	C/5	C/8	D/5	C/4	D/21/2	E/4				
31- 36"	D/10	D/8	D/5	E/8	F/5	E/4			C/5	D/8	D/5	D/4	D/21/2	E/4	C/5	C/4	C/21/2	D/4	D/21/2	D/2				
37- 42"	D/5	E/8	E/5	E/4	G/5	F/4			D/5	E/8	E/5	E/4	E/21/2	F/4	D/5	C/4	D/21/2	E/4	E/21/2	E/2				
43- 48"	E/5	E/8	F/5	E/4	F/21/2	E/2			E/5	D/4	E/21/2	E/4	F/21/2	E/2	E/5	D/4	E/21/2	D/2						
49- 54"	E/5	E/4	F/5	F/4	F/21/2	F/2			E/5	E/4	E/21/2	F/2	F/21/2	F/2	E/5	E/4								
55- 60"	E/5	F/4	E/21/2	F/4	G/21/2	F/2			E/5	E/4	E/21/2	E/2	G/21/2	F/2	E/21/2	D/2								
61- 72"	F/5	F/4	F/21/2	H/4	H2/12	H/2			E/21/2	F/4	F/21/2	F/2		H/2										
73- 84"	H/5	G/4	H/21/2	G/2	I- 21/2	I/2			F/21/2	G/4														
85- 96"	F/21/2	H/4		H/2		I 1/2																		
97" up																								

Flat Slips and Drives may be backed with Stiffeners from Table 1- 10 and thereby qualified for this Table. Where the superscript D occurs, the flat drive is accepted as Class A. See Table 1- 18. Tie rod options are not listed here. None of the requirements of the standards are waived by this chart.

↑ THIS NUMBER IS THE SPACING INTERVAL BETWEEN REINFORCEMENT.  
 ↑ THIS LETTER DENOTES TYPE OF REINFORCEMENT TO BE SLECTED FROM EITHER JOINT TABLES 1- 11 TO 1- 13 OR INTERMEDIATE TABLE 1- 10.



Table 1-3, 1-4, 1-5 as Composite

Pressure Class (Water gage)	1/2"	1/2"	1"	1"	2"	2"	1/2"	1/2"	1"	1"	2"	2"	1/2"	1/2"	1"	1"	2"	2"						
Duct Gage	16	16	16	16	16	16	18	18	18	18	18	18	20	20	20	20	20	20						
Duct Dimensions																								
7" dn.							Standing reinforcement is not required on duct sizes above this heavy line. Flat Slips and Drives or other choice may be used. Flat Slips and Drives must not be less than one gage below duct gage and not less than 24 gage.																	
8- 10"																								
11, 12"																			← NOT REQUIRED →					
13, 14"																								
15, 16"																								
17, 18"																								
19, 20"																		B/10	B/8					
21, 22"												B/10	B/8		A/10	A/8	B/10	B/8						
23, 24"												C/10	C/8		B/10	B/8	B/10	C/8						
25, 26"						C/10	c/8					C/10	C/8		B/10	B/8	C/10	C/8						
27, 28"						C/10	C/8		C/10	C/8	C/10	C/8	B/10	B/8	C/10	C/8	C/5	C/8						
29, 30"						D/10	D/8		C/10	C/8	D/10	D/8	B/10	B/8	C/10	C/8	C/5	D/8						
31- 36"			D/10	D/8	E/10	E/8	C/10	C/8	D/10	D/8	D/5	E/8	C/10	C/8	D/10	D/8	D/5	D/4						
37- 42"	D/10	D/8	E/10	E/8	E/5	E/8	D/10	D/8	E/10	D/8	E/5	E/4	D/10	D/8	D/5	D/8	E/5	E/4						
43- 48"	E/10	D/8	F/10	F/8	F/5	G/8	E/10	D/8	E/5	E/8	F/5	E/4	E/10	D/8	E/5	D/4	F/5	E/4						
49- 54"	E/10	E/8	G/10	F/8	G/5	F/4	E/10	E/8	E/5	F/8	G/5	F/4	D/5	E/8	E/5	E/4	F/21/2	F/4						
55- 60"	F/10	F/8	F/5	G/8	H/5	G/4	F/10	F/8	F/5	G/8	H/5	G/4	E/5	F/8	F/5	F/4	G/21/2	G/4						
61- 72"	H/10	G/8	H5	G/4	I/5	H/4	F/5	G/8	H/5	G/4	H/21/2	H/4	F/5	F/4	G/21/2	G/4	H/21/2	H/2						
73- 84"	H/5	H/8	I/5	H/4	I/21/2	J/4	H/5	G/4	I/5	H/4	I/21/2	J/4	H/5	G/4	H/21/2	H/4	I/21/1	I/2						
85- 96"	H/5	I/8	J/5	I/4	J/21/2	K/4	H/5	H4	I/21/2	I/4	J/21/2	J/2	H/5	H/4	I/21/2	I/2	J2/12	J/2						
97" up	H/5	H/4	J/21/2	J2	K/21/2	K/2	H/5	H/4	J/21/2	J/2	K/21/2	K/2												

Flat Slips and Drives may be backed with Stiffeners from Table 1- 10 and thereby qualified for this Table. Where the superscript D occurs, the flat drive is accepted as Class A. See Table 1- 18. Tie rod options are not listed here. None of the requirements of the standards are waived by this chart.

THIS NUMBER IS THE SPACING INTERVAL BETWEEN REINFORCEMENT.  
THIS LETTER DENOTES TYPE OF REINFORCEMENT TO BE SELECTED FROM EITHER JOINT TABLES 1- 11 TO 1- 13 OR INTERMEDIATE TABLE 1- 10.



## A.1 CONSTRUCTOR'S ANALYSIS OF SHOP STANDARDS

### A. What is the Preference in Primary Variables?

1. Metal Stock Size: 4' x 8'; 4' x 10'; 5' x 10'; 48" coil, 60" coil, other?
2. Joint spacing: 4', 5', 8' or 10'?
3. Joint type?
4. Intermediate Reinforcement: type (and amount; *i.e.*, reduce interval by using it on lighter duct wall or avoid it by selecting wall thickness not requiring it?)

### B. Other Variables that Affect Production Costs and that may prompt Change in First Choice of Primary Variables

1. Sealing requirements
2. Leak Test requirements, if any
3. Access Space available for joint make up/closure/repair
4. Amount of Prefabrication off-site
5. Transportation storage and hoisting (damage risk and logistics control)
6. Job Schedule/manpower

7. Quality level of Workmanship anticipated on the specific project

8. Ratio of fittings to straight duct

9. Size changes, *i.e.*, potential to make rectangular shape more square with contracting authority's approval; potential to convert to extended plenum; potential to convert rectangular to round.

10. Crossbreaking or beading obligations

11. Standardized Pressure Classification (Supply construction conforming to a higher pressure class than required in order to use fewer variations).

## A.2 NOTES

1. Joints and intermediate reinforcements are labor intensive units and they may be more costly than the savings in a reduction in metal in duct wall thickness.

2. Use of a thicker duct wall or a stronger joint over a wider range of duct sizes than those required can be cost effective. Examples include using a 22 gage duct wall where 22 ga. and 24 ga. are minimums and using a D grade of joint over a range of sizes that would permit A, B, C, and D selections. However, substituting a larger-than-minimum element in one primary variable does not justify reducing another primary variable.

3. Some joint classifications have flanges or portions of the duct incorporated in their ratings; others do not. A thorough study is advised.

4. Flat joint systems can qualify when backed up with reinforcements. Sealing expense and effectiveness may make this alternative more attractive than other joint options.



## SAMPLE SHOP STANDARDS FOR 2" WG PRESSURE CLASS

### 10 Ft. Brake Shop

#### DUCT Side

Size	Gauge	No. Reinf.
10" dn.	26 ga.	
11"-26"	26 ga.	D @ 5'
27"-30"	24 ga.	E @ 5'
31"-42"	24 ga.	E @ 2 1/2'*
43"-48"	24 ga.	F @ 2 1/2'*
49"-54"	24 ga.	F @ 2 1/2'*
55"-60"	24 ga.	G @ 2 1/2'*
61"-72"	22 ga.	H @ 2 1/2'*
73"-84"	22 ga.	I @ 2 1/2'*
85"-96"	20 ga.	I @ 2 1/2'*
97"- 108"	18 ga.	J @ 2 1/2'*

### 5 Ft. Coil Line

#### DUCT Side

Size	Gauge	No. Reinf.
10" dn.	26 ga.	
11"-20"	26 ga.	C joint
21"-26"	26 ga.	D joint
27"-30"	24 ga.	E joint
31"-36"	22 ga.	F joint
37"-42"	20 ga.	G joint
43"-48"	20 ga.	H joint
49"-54"	18 ga.	H joint
55"-60"	18 ga.	I joint
61"-72"	22 ga.	H @ 2 1/2'
73"-84"	22 ga.	I @ 2 1/2'
85"-96"	20 ga.	I @ 2 1/2'
97"- 108"	18 ga.	J @ 2 1/2'

### 8 Ft. Brake Shop

#### DUCT Side

Size	Gauge	No. Reinf.
10" dn.	26 ga.	
11"-22"	26 ga.	C @ 4'
23"-28"	26 ga.	D @ 4'
29"-36"	24 ga.	E @ 4'
37"-48"	24 ga.	F @ 3'
49"-54"	24 ga.	G @ 3'
55"-60"	22 ga.	G @ 3'
61"-72"	22 ga.	H @ 3'
73"-84"	18 ga.	I @ 4'
85"-96"	18 ga.	J @ 4'
97"- 108"	18 ga.	K @ 3'

### 5 Ft. Coil Line

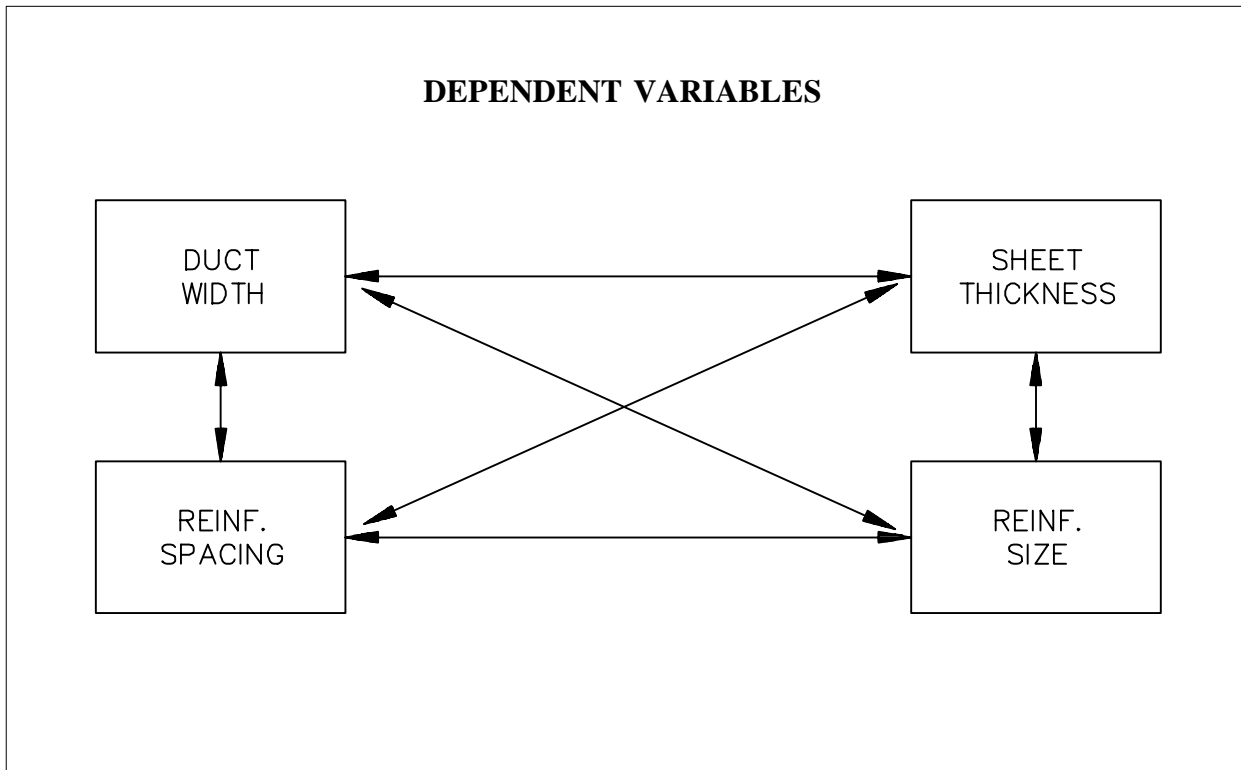
#### DUCT Side

Size	Gauge	No. Reinf.
10" dn.	26 ga.	
11"-22"	26 ga.	C joint
23"-28"	26 ga.	D joint
29"-36"	24 ga.	E joint
37"-42"	24 ga.	F joint
43"-48"	22 ga.	G joint
49"-54"	20 ga.	H joint
55"-60"	18 ga.	H joint
61"-72"	18 ga.	I joint
73"-84"	18 ga.	I joint
85"-96"	22 ga.	I @ 2'
97"- 108"	18 ga.	I @ 2'

D @ 5', for example, means *either* a grade D *joint* or grade D *intermediate* member at a maximum interval of 5 ft.

WG STATIC POS.OR NEG.	SHOP STANDARDS RECTANGULAR DUCT REINFORCEMENT								
	NO REINFORCE- MENT REQUIRED	REINFORCEMENT CODE FOR DUCT GAGE NO.							
		REINFORCEMENT SPACING OPTIONS							
DUCT DIMENTION		10'	8'	6'	5'	4'	3'	2 1/2'	2'
①	②	③	④	⑤	⑥	⑦	⑧	⑨	⑩
10"dn									
11, 12"									
13, 14"									
15, 16"									
17, 18"									
19, 20"									
21, 22"									
23, 24"									
25, 26"									
27, 28"									
29, 30"									
31- 36"									
37- 42"									
43- 48"									
49- 54"									
55- 60"									
61- 72"									
73- 84"									
85- 96"									
97- 108"									
109- 120"									





**A.3 RELATIONSHIPS**

- A. For each pressure level and a constant duct size, the thicker the sheet the more distant the reinforcement spacing; the thinner the sheet the closer the reinforcement spacing.
- B. For a given sheet thickness and constant duct size, reinforcement size, and reinforcement

spacing, reduce with pressure reduction and increase with pressure increase.

- C. The larger a duct at a given pressure, the larger the reinforcement and the closer the reinforcement spacing on a selected gage.
- D. For each combination of sheet thickness, pressure, and duct width, a maximum reinforcement spacing occurs beyond which sheet deflection is not controlled by reinforcement size nor reinforcement position.

**REGULAR DUCTS**

**MAXIMUM DEFLECTION**

JOINT and REINF.  
1/4" on 48" w. on  
W/200 on  
49"-120"

SHEET:  
3/8" on 12" Dn.  
1/2" on 13"-18"  
5/8" on 19"-24"  
3/4" on 25"-84"  
1" on 85"-120"

TOLERANCE:  
+7.5%

TOLERANCE:  
+10%

**MAXIMUM TEST PRESSURE**

LAB:  
CLASS RATING + 50%

FIELD:  
CLASS RATING + 25%



26 GAGE DUCT REINFORCEMENT								
DUCT DIMENSION	1/2 WG	1 WG	2 WG	3 WG	4 WG	6 WG	10 WG	
8" DN.	NOT REQUIRED	NOT REQUIRED	NOT REQUIRED	B @ 6'	B @ 6'	C @ 5'	C @ 3'	
9" to 10"					B @ 6'	B @ 5'	B @ 3'	C @ 3'
11" to 12"				B @ 8'	B @ 5'	C @ 5'	C @ 3'	C @ 3'
13" to 14"			B @ 10'	B @ 6'	C @ 4'	C @ 4'	C @ 3'	D @ 2 1/2'
15" to 16"			B @ 8'	C @ 5'	C @ 4'	C @ 4'	D @ 3'	D @ 2 1/2'
17" to 18"			B @ 8'	C @ 5'	C @ 4'	D @ 4'	D @ 3'	D @ 2 1/2'
19" to 20"		B @ 10'	C @ 8'	C @ 5'	C @ 3'	D @ 3'	D @ 2 1/2'	
21" to 22"		B @ 10'	C @ 6'	D @ 5'	D @ 3'	D @ 3'	E @ 2 1/2'	
23" to 24"		C @ 10'	C @ 6'	D @ 5'	D @ 3'	E @ 3'	E @ 2 1/2'	
25" to 26"		C @ 10'	C @ 6'	D @ 5'	D @ 3'	E @ 3'		
27" to 28"		C @ 8'	D @ 6'	D @ 4'	E @ 3'	E @ 3'		
29" to 30"		C @ 8'	D @ 6'	E @ 4'	E @ 3'	E @ 3'		
31" to 36"		C @ 6'	D @ 4'	E @ 3'	E @ 2 1/2'	F @ 2 1/2'		
37" to 42"		D @ 5'	E @ 4'	E @ 2 1/2'	E @ 2'	F @ 2'		
43" to 48"	E @ 5'	E @ 3'	E @ 2 1/2'					
49" to 54"	E @ 5'							
55" to 60"	E @ 3'							
61" to 72"								
73" to 84"	NOT DESIGNED	NOT DESIGNED	NOT DESIGNED	NOT DESIGNED	NOT DESIGNED	NOT DESIGNED	NOT DESIGNED	
85" to 96"								
Over 96"								

On items with t", tie rod must be used.



24 GAGE DUCT REINFORCEMENT							
DUCT DIMENSION	1/2 WG	1 WG	2 WG	3 WG	4 WG	6 WG	10 WG
8" DN.	NOT REQUIRED	NOT REQUIRED	NOT REQUIRED	NOT REQUIRED	NOT REQUIRED	NOT REQUIRED	C @ 5'
9" to 10"					B @ 6'	C @ 5'	C @ 4'
11" to 12"				B @ 8'	C @ 6'	C @ 5'	D @ 4'
13" to 14"			B @ 8'	C @ 6'	C @ 5'	C @ 4'	D @ 3'
15" to 16"		B @ 10'	C @ 8'	C @ 6'	C @ 5'	D @ 4'	E @ 3'
17" to 18"		B @ 10'	C @ 8'	D @ 6'	D @ 5'	E @ 4'	E @ 3'
19" to 20"		C @ 10'	C @ 6'	D @ 5'	E @ 5'	E @ 4'	E @ 2 1/2'
21" to 22"	B @ 10'	C @ 10'	D @ 6'	D @ 5'	E @ 5'	F @ 4'	F @ 2 1/2'
23" to 24"	C @ 10'	C @ 10'	D @ 6'	E @ 5'	E @ 4'	E @ 3'	F @ 2 1/2'
25" to 26"	C @ 10'	D @ 8'	E @ 6'	E @ 5'	E @ 4'	F @ 3'	F @ 2 1/2'
27" to 28"	C @ 10'	D @ 8'	E @ 5'	E @ 4'	F @ 4'	F @ 3'	G @ 2 1/2'
29" to 30"	C @ 10'	D @ 8'	E @ 5'	E @ 4'	F @ 4'	F @ 3'	H @ 2 1/2'
31" to 36"	D @ 8'	E @ 6'	E @ 4'	F @ 3'	F @ 3'	G @ 2 1/2'	H @ 2'
37" to 42"	E @ 8'	E @ 5'	F @ 4'	F @ 3'	G @ 2 1/2'		
43" to 48"	E @ 6'	E @ 4'	F @ 3'	G @ 2 1/2'	H @ 2 1/2'		
49" to 54"	E @ 5'	F @ 4'	G @ 3'	G @ 2 1/2'	H @ 2'		
55" to 60"	E @ 5'	F @ 4'	G @ 2 1/2'	G @ 2'	H @ 2'		
61" to 72"	F @ 4'	F @ 3'	H @ 2'	I @ 2'	H @ 1 1/2'		
73" to 84"	G @ 4'						
85" to 96"	NOT	NOT	NOT	NOT	NOT	NOT	NOT
Over 96"	DESIGNED	DESIGNED	DESIGNED	DESIGNED	DESIGNED	DESIGNED	DESIGNED

On items with t", tie rod must be used.

22 GAGE DUCT REINFORCEMENT							
DUCT DIMENSION	1/2 WG	1 WG	2 WG	3 WG	4 WG	6 WG	10 WG
8" DN.	NOT REQUIRED	NOT REQUIRED	NOT REQUIRED	NOT REQUIRED	NOT REQUIRED	NOT REQUIRED	NOT REQUIRED
9" to 10"						B @ 6'	C @ 5'
11" to 12"					B @ 10'	C @ 6'	D @ 5'
13" to 14"				C @ 8'	C @ 8'	D @ 5'	D @ 4'
15" to 16"			C @ 10'	C @ 8'	D @ 6'	D @ 5'	E @ 4'
17" to 18"			C @ 10'	D @ 8'	D @ 6'	E @ 5'	E @ 3'
19" to 20"		C @ 10'	C @ 8'	D @ 6'	E @ 6'	E @ 5'	F @ 3'
21" to 22"		C @ 10'	D @ 8'	E @ 6'	E @ 5'	F @ 5'	F @ 3'
23" to 24"		C @ 10'	E @ 8'	E @ 6'	E @ 5'	F @ 5'	G @ 3'
25" to 26"	C @ 10'	D @ 10'	E @ 8'	E @ 6'	F @ 5'	F @ 4'	G @ 3'
27" to 28"	C @ 10'	D @ 10'	E @ 6'	F @ 5'	F @ 5'	G @ 4'	H @ 3'
29" to 30"	C @ 10'	E @ 10'	E @ 6'	F @ 5'	G @ 5'	G @ 4'	H @ 3'
31" to 36"	D @ 10'	E @ 8'	F @ 5'	F @ 4'	G @ 4'	H @ 3'	H @ 2 1/2'
37" to 42"	E @ 8'	E @ 6'	F @ 4'	G @ 4'	G @ 3'	H @ 2 1/2'	I @ 2'
43" to 48"	E @ 8'	F @ 5'	G @ 4'	G @ 3'	H @ 3'	I @ 2 1/2'	I @ 2'
49" to 54"	E @ 6'	F @ 5'	G @ 3'	H @ 3'	H @ 2 1/2'	I @ 2'	H @ 1 1/2'
55" to 60"	F @ 6'	G @ 5'	G @ 3'	H @ 2 1/2'	I @ 2 1/2'	I @ 2'	H @ 1 1/2'
61" to 72"	F @ 5'	H @ 4'	H @ 3'	I @ 2 1/2'	I @ 2'	H @ 1 1/2'	
73" to 84"	H @ 5'	H @ 3'	I @ 2 1/2'	I @ 2'	I @ 1 1/2'	J @ 1 1/2'	
85" to 96"	H @ 4'	H @ 2'	I @ 2'	K @ 1 1/2'	K @ 1 1/2'		
Over 96"	NOT DESIGNED	NOT DESIGNED	NOT DESIGNED	NOT DESIGNED	NOT DESIGNED	NOT DESIGNED	NOT DESIGNED

On items with t", tie rod must be used.





20 GAGE DUCT REINFORCEMENT							
DUCT DIMENSION	1/2 WG	1 WG	2 WG	3 WG	4 WG	6 WG	10 WG
8" DN.	NOT REQUIRED	NOT REQUIRED	NOT REQUIRED	NOT REQUIRED	NOT REQUIRED	NOT REQUIRED	NOT REQUIRED
9" to 10"							C @ 6'
11" to 12"						C @ 10'	D @ 6'
13" to 14"					C @ 10'	D @ 6'	E @ 5'
15" to 16"				C @ 8'	D @ 8'	D @ 6'	E @ 5'
17" to 18"				D @ 8'	D @ 8'	E @ 6'	F @ 5'
19" to 20"			C @ 10'	D @ 8'	E @ 8'	F @ 6'	F @ 4'
21" to 22"		C @ 10'	D @ 10'	E @ 8'	E @ 6'	F @ 6'	G @ 4'
23" to 24"		C @ 10'	E @ 10'	E @ 6'	F @ 6'	G @ 6'	H @ 4'
25" to 26"		D @ 10'	E @ 10'	E @ 6'	F @ 6'	G @ 5'	H @ 4'
27" to 28"	C @ 10'	D @ 10'	E @ 8'	F @ 6'	G @ 6'	H @ 5'	H @ 3'
29" to 30"	C @ 10'	E @ 10'	F @ 8'	F @ 6'	G @ 5'	G @ 4'	H @ 3'
31" to 36"	D @ 10'	E @ 10'	F @ 6'	G @ 5'	H @ 5'	H @ 4'	I @ 3'
37" to 42"	E @ 10'	F @ 8'	G @ 5'	H @ 5'	H @ 4'	H @ 3'	I @ 2 1/2'
43" to 48"	E @ 10'	F @ 6'	H @ 5'	H @ 4'	H @ 3'	I @ 2 1/2'	I @ 2'
49" to 54"	F @ 8'	G @ 6'	H @ 4'	H @ 3'	I @ 3'	I @ 2 1/2'	I @ 2'
55" to 60"	F @ 8'	G @ 6'	G @ 3'	H @ 3'	I @ 3'	I @ 2 1/2'	J @ 2'
61" to 72"	F @ 6'	H @ 4'	H @ 3'	I @ 3'	I @ 2 1/2'	J @ 2'	J @ 1 1/2'
73" to 84"	H @ 5'	I @ 4'	I @ 3'	I @ 2 1/2'	I @ 2'	J 1 1/2'	
85" to 96"	H @ 5'	I @ 3'	I @ 2 1/2'	I @ 2'	J @ 2'	L @ 1 1/2'	
Over 96"	NOT DESIGNED	NOT DESIGNED	NOT DESIGNED	NOT DESIGNED	NOT DESIGNED	NOT DESIGNED	NOT DESIGNED

On items with t", tie rod must be used.

18 GAGE DUCT REINFORCEMENT							
DUCT DIMENSION	1/2 WG	1 WG	2 WG	3 WG	4 WG	6 WG	10 WG
8" DN.	NOT REQUIRED	NOT REQUIRED	NOT REQUIRED	NOT REQUIRED	NOT REQUIRED	NOT REQUIRED	NOT REQUIRED
9" to 10"							
11" to 12"							C @ 8'
13" to 14"							D @ 8'
15" to 16"						D @ 10'	E @ 6'
17" to 18"					D @ 10'	E @ 10'	F @ 6'
19" to 20"				D @ 10'	E @ 10'	F @ 8'	G @ 6'
21" to 22"			D @ 10'	E @ 10'	E @ 10'	F @ 8'	H @ 6'
23" to 24"			E @ 10'	E @ 10'	F @ 10'	G @ 8'	H @ 6'
25" to 26"			E @ 10'	F @ 10'	G @ 8'	G @ 6'	H @ 5'
27" to 28"		D @ 10'	F @ 10'	F @ 8'	G @ 8'	H @ 6	I @ 5'
29" to 30"		E @ 10'	F @ 10'	G @ 8'	H @ 8'	H @ 6'	I @ 4'
31" to 36"	D @ 10'	E @ 10'	G @ 8'	H @ 6'	H @ 6'	I @ 5'	I @ 4'
37" to 42"	E @ 10'	F @ 10'	G @ 6'	H @ 6'	I @ 5'	I @ 4'	I @ 3'
43" to 48"	E @ 10'	G @ 8'	H @ 6'	I @ 5'	I @ 5'	I @ 4'	J @ 3'
49" to 54"	F @ 10'	H @ 8'	H @ 5'	I @ 5'	I @ 4'	I @ 3'	J @ 2 1/2'
55" to 60"	G @ 10'	H @ 8'	I @ 5'	I @ 4'	H @ 3'	J @ 3'	K @ 2 1/2'
61" to 72"	H @ 8'	H @ 6'	I @ 4'	I @ 3'	J @ 3'	J @ 2 1/2'	L @ 2'
73" to 84"	H @ 6'	I @ 5'	I @ 4'	J @ 3'	J @ 2 1/2'	K @ 2'	L @ 1 1/2'
85" to 96"	I @ 6'	I @ 4'	J @ 4'	K @ 3'	K @ 2' 1/2'	L @ 2'	M @ 1 1/2'
97" to 108"		I @ 4'	K @ 3'	L @ 2 1/2'	L @ 2 1/2'	L @ 2'	
109' to 120"	NOT DESIGNED	I @ 3'	K @ 2 1/2'	L @ 2 1/2'	L @ 2 1/2'	Kt @ 2'	NOT DESIGNED

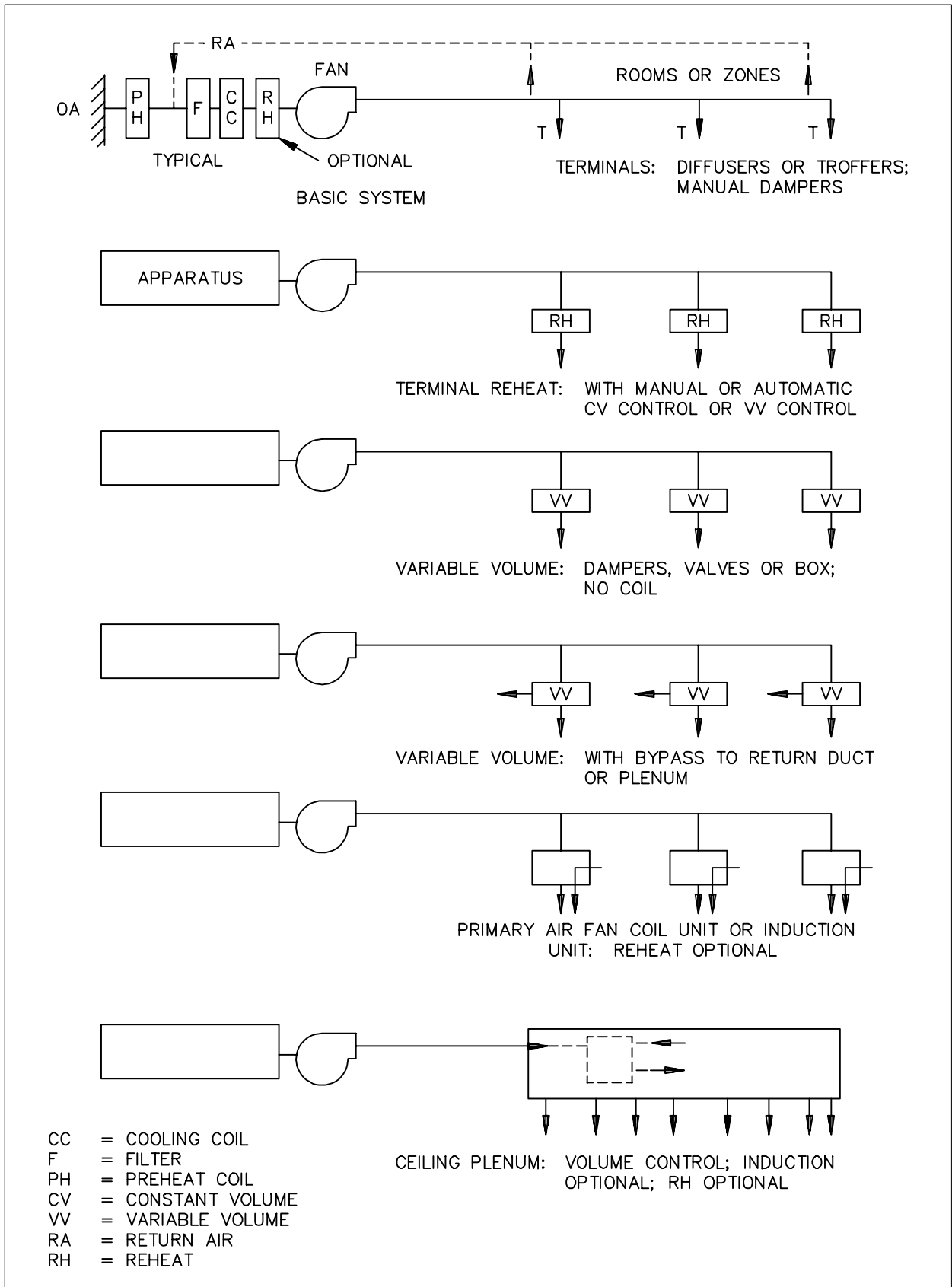
On items with t", tie rod must be used.



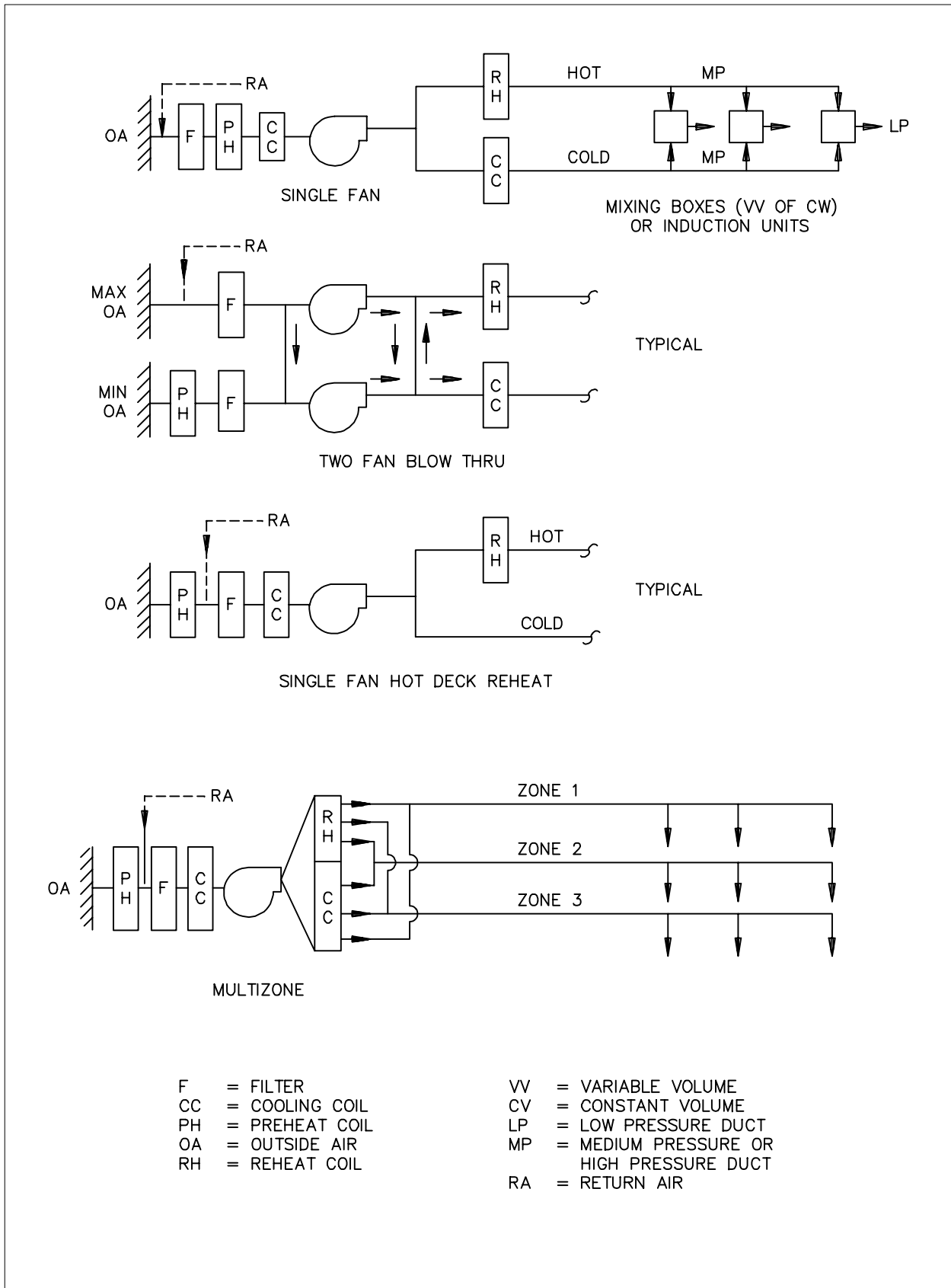
16 GAGE DUCT REINFORCEMENT							
DUCT DIMENSION	1/2 WG	1 WG	2 WG	3 WG	4 WG	6 WG	10 WG
8" DN.	NOT REQUIRED	NOT REQUIRED	NOT REQUIRED	NOT REQUIRED	NOT REQUIRED	NOT REQUIRED	NOT REQUIRED
9" to 10"							
11" to 12"							
13" to 14"							D @ 8'
15" to 16"							E @ 8'
17" to 18"						E @ 10'	F @ 8'
19" to 20"					E @ 10'	F @ 10'	G @ 8'
21" to 22"					E @ 10'	F @ 10'	H @ 6'
23" to 24"					F @ 10'	G @ 8'	H @ 6'
25" to 26"			E @ 10'	F @ 10'	G @ 10'	H @ 8'	I @ 6'
27" to 28"			F @ 10'	F @ 10'	H @ 10'	H @ 8'	I @ 6'
29" to 30"			F @ 10'	G @ 10'	H @ 10'	H @ 6'	I @ 5'
31" to 36"		E @ 10'	G @ 10'	H @ 8'	H @ 6'	I @ 6'	J @ 5'
37" to 42"	E @ 10'	F @ 10'	H @ 8'	H @ 6'	I @ 6'	I @ 5'	J @ 4'
43" to 48"	E @ 10'	G @ 10'	I @ 8'	I @ 6'	I @ 5'	I @ 4'	J @ 3'
49" to 54"	F @ 10'	H @ 10'	I @ 6'	I @ 5'	I @ 5'	J @ 4'	K @ 3'
55" to 60"	G @ 10'	H @ 8'	I @ 6'	I @ 5'	J @ 5'	J @ 3'	L @ 3'
61" to 72"	H @ 10'	H @ 6'	J @ 5'	J @ 4'	J @ 3'	K @ 3'	L @ 2 1/2'
73" to 84"	I @ 8'	I @ 6'	I @ 4'	J @ 3'	K @ 3'	L @ 2 1/2'	L @ 2'
85" to 96"	I @ 8'	I @ 5'	J @ 4'	K @ 3'	K @ 2 1/2'	L @ 2'	Lt @ 2'
97" to 108"	I @ 5'	I @ 4'	K @ 3'	L @ 2 1/2'	L @ 2 1/2'	L @ 2'	Lt @ 2'
109" to 120"	I @ 3'	I @ 3'	K @ 2 1/2'	L @ 2 1/2'	L @ 2 1/2'	Jt @ 2 1/2'	Lt @ 2'

On items with t", tie rod must be used.





### SINGLE PATH AIR SYSTEMS

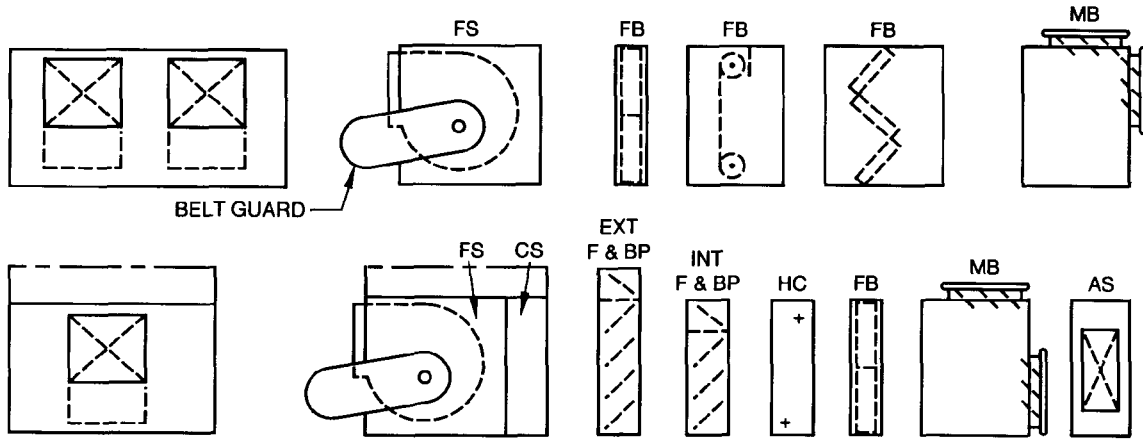


- |    |                |    |   |
|----|----------------|----|---|
| F  | = FILTER       | VV | = VARIABLE VOLUME                       |
| CC | = COOLING COIL | CV | = CONSTANT VOLUME                       |
| PH | = PREHEAT COIL | LP | = LOW PRESSURE DUCT                     |
| OA | = OUTSIDE AIR  | MP | = MEDIUM PRESSURE OR HIGH PRESSURE DUCT |
| RH | = REHEAT COIL  | RA | = RETURN AIR                            |

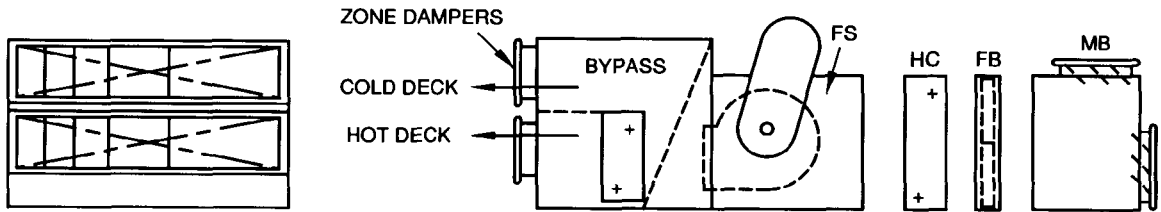
**DUAL PATH AIR SYSTEMS**



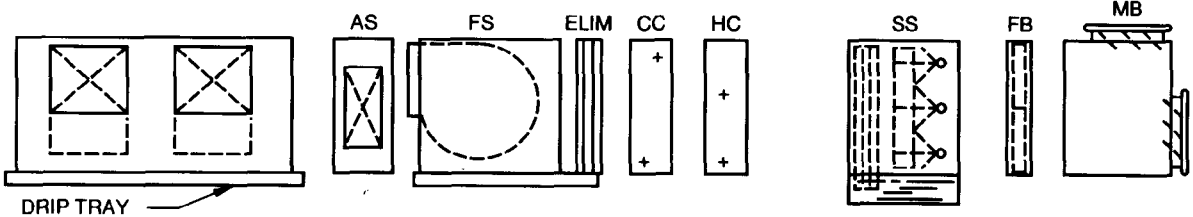
HEATING AND VENTILATING DRAW-THRU UNIT



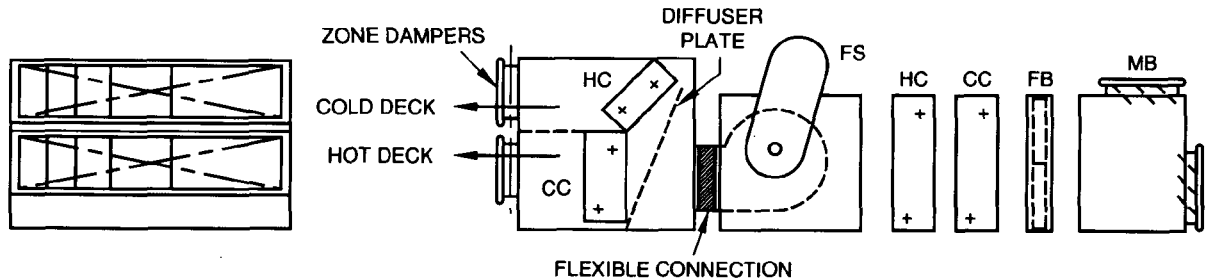
HEATING AND VENTILATING BLOW-THRU UNIT



AIR-CONDITIONING DRAW-THRU UNIT



AIR-CONDITIONING BLOW-THRU UNIT



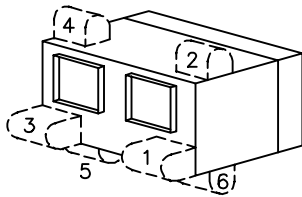
AS	ACCESS SECTION	EXT F & BP	EXTERNAL FACE AND BYPASS DAMPER	FS	FAN SECTION
CS	COIL SECTION	INT F & BP	INTERNAL FACE AND BYPASS DAMPER	FB	FILTER BOX
CC	COOLING COIL	ELIM	ELIMINATORS	MB	MIXING BOL
HC	HEATING COIL			SS	SPRAY SECTION

REFERENCE: AMCA PUBLICATION NO. 203

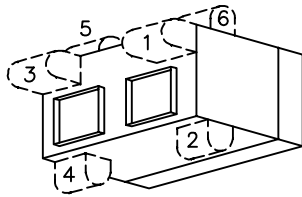
TERMINOLOGY FOR CENTRAL STATION APPARATUS



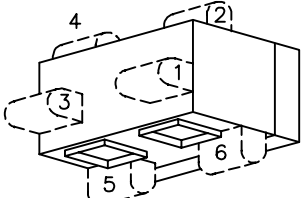
TYPICAL MOTOR AND OUTLET ARRANGEMENTS



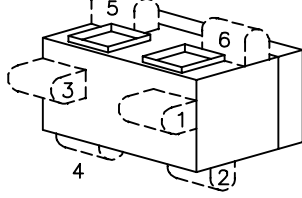
ARRANGEMENT A



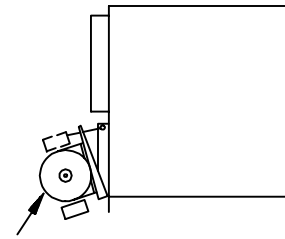
ARRANGEMENT B



ARRANGEMENT C

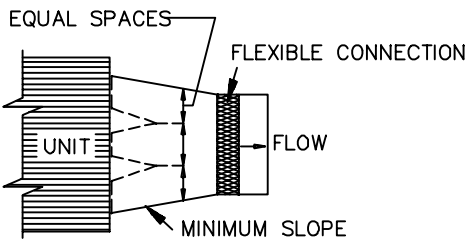


ARRANGEMENT D



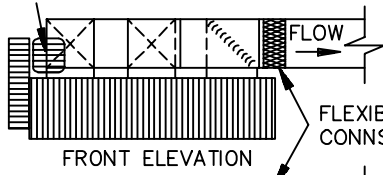
TYPICAL ADJUSTABLE MOTOR MOUNTING. MOTORS MAY BE MOUNTED INTERNALLY

CONSULT SMACNA DUCT DESIGN MANUAL FOR PERFORMANCE OF OUTLET ARRANGEMENTS.

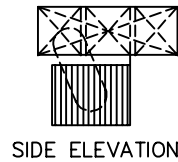


STANDARD ARRANGEMENT FOR STRAIGHT RUN OF DUCT.

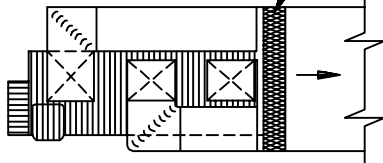
MOTOR



FRONT ELEVATION



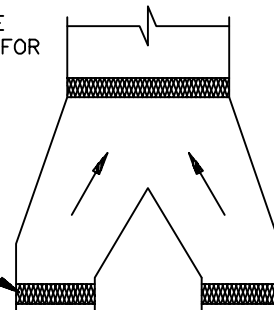
SIDE ELEVATION



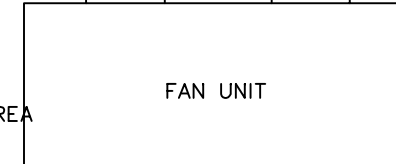
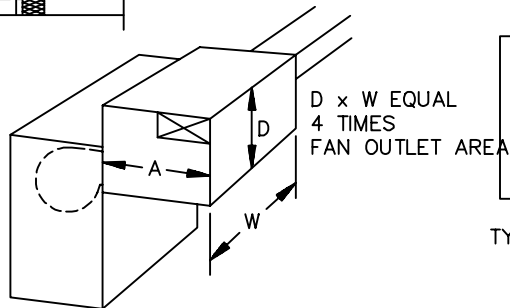
PLAN

ALTERNATE METHOD FOR LIMITED HEAD ROOM USING FLEX SQUARE VANED ELBOWS

ALTERNATE LOCATION FOR FLEXIBLE CONN.



A PLENUM IS USED WHEN PREFERRED OUTLETS CANNOT BE.

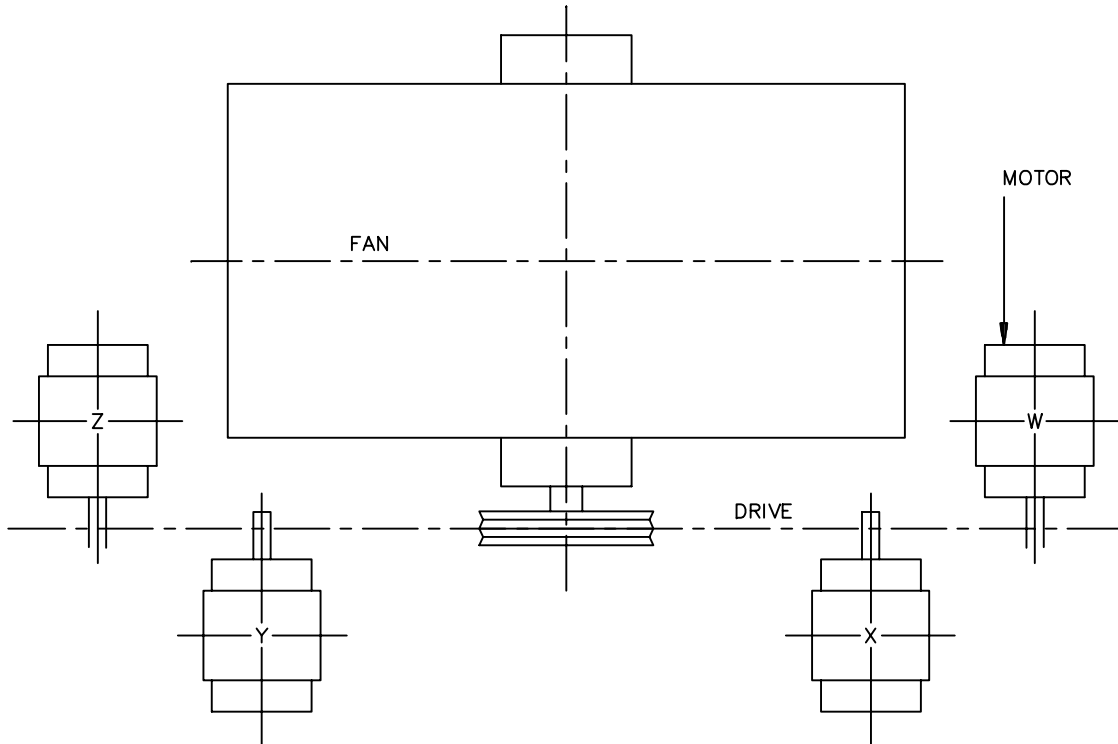


TYPICAL CONSTRUCTION OF "PANTS" CONNECTION ON TWO-FAN UNIT

A VARIES: 1 1/2 FAN DIA. AT 1500 FPM (7.6 mps); 3 FAN DIA. AT 3000 FPM (15.2 mps)

TYPICAL HVAC UNIT CONNECTIONS

THE FOLLOWING METHOD HAS BEEN ADOPTED FOR DESIGNATING THE MOTOR POSITION ON BELT DRIVEN CENTRIFUGAL FANS & BLOWERS.



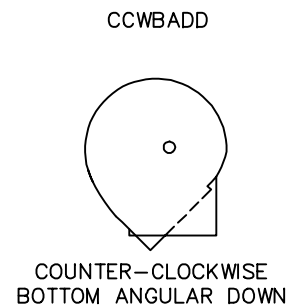
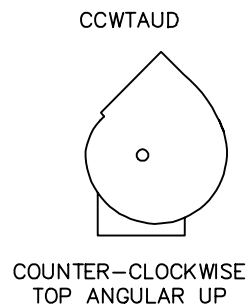
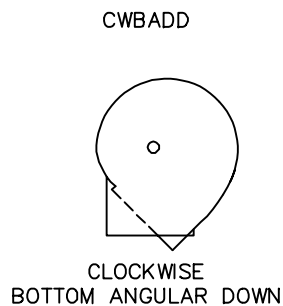
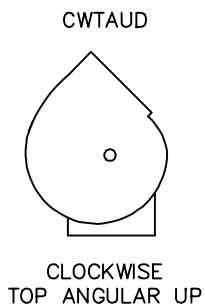
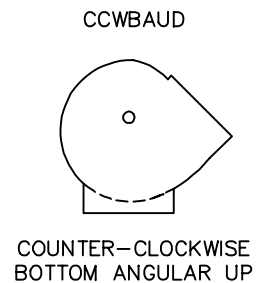
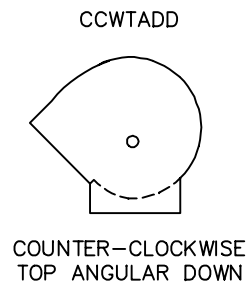
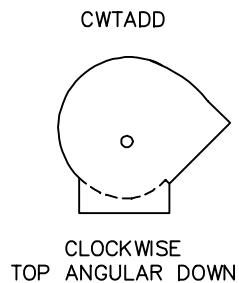
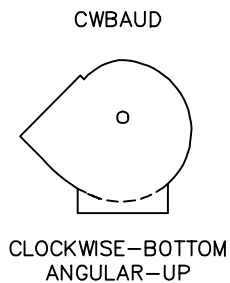
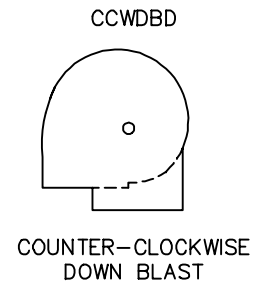
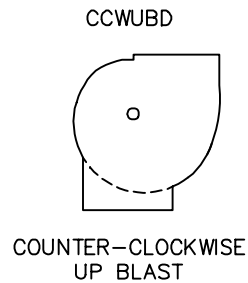
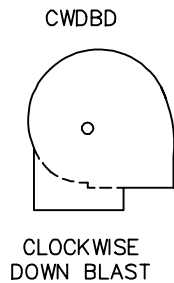
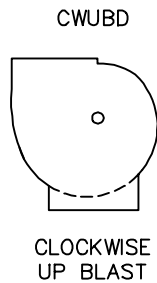
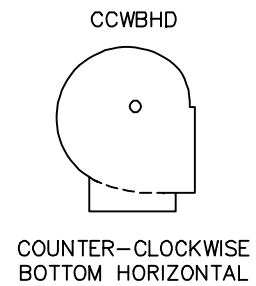
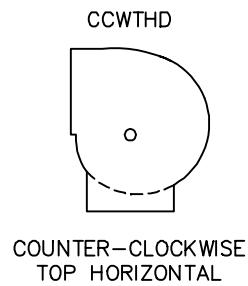
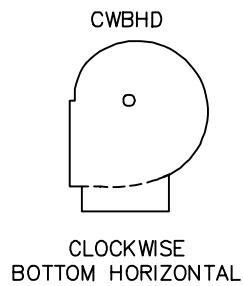
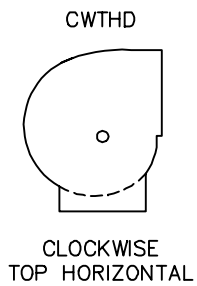
LOCATION OF MOTOR IS DETERMINED BY FACING THE DRIVE SIDE OF FAN OR BLOWER & DESIGNATING THE MOTOR POSITION BY LETTERS W, X, Y OR Z AS SHOWN ABOVE.

THESE POSITIONS ARE PROMULGATED BY AMCA STANDARD 2407. THE AIR MOVING AND CONDITIONING ASSOCIATION PRESENTS ADDITIONAL TERMINOLOGY AND CONVENTIONS IN AMCA PUBLICATION 99.

## MOTOR ARRANGEMENTS

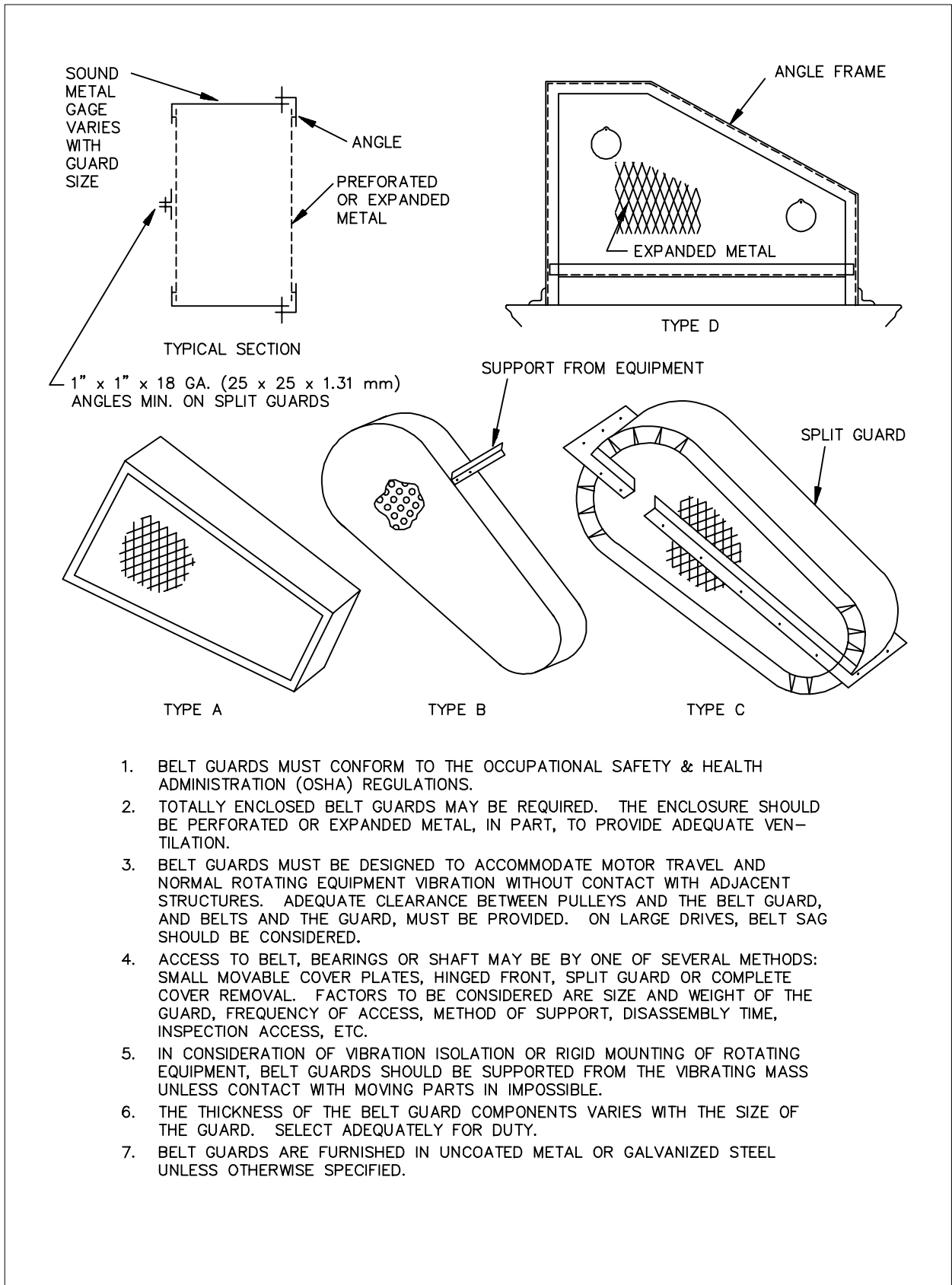




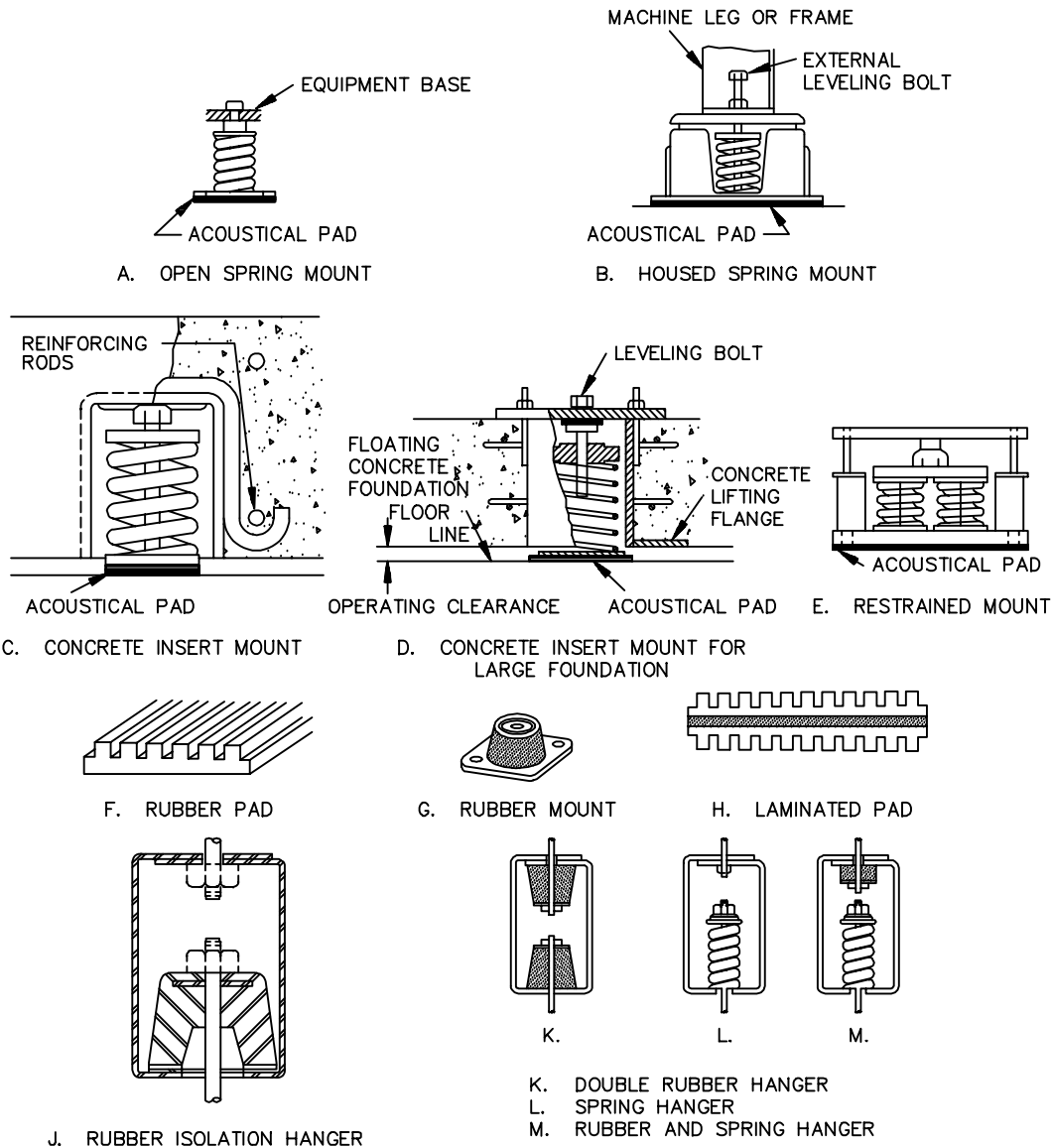


ROTATION & DISCHARGE IS DETERMINED FROM THE DRIVE OF A FAN WHEN FAN IS RESTING ON THE FLOOR. THE DRIVE SIDE IS CONSIDERED TO BE THE SIDE OPPOSITE THE INLET ON A SINGLE INLET FAN. FOR MORE INFORMATION CONSULT STANDARD 2406 IN AMCA PUBLICATION 99.

## FAN ROTATION & DISCHARGE POSITIONS



## TYPICAL BELT GUARDS



**GENERAL PRECAUTIONS**

1. ADJUST FOR PROPER ALIGNMENT AND LOADING.
2. EXAMINE DEAL LOAD AND OPERATING LOAD CONDITION.
3. AVOID "GROUNDING" THE ISOLATOR.
4. MAINTAIN ALIGNMENT OF THE SYSTEM COMPONENTS BEING ISOLATED WITHOUT IMPOSING EXCESS STRESS.
5. CHECK HANGER ROD SIZE FOR ALLOWABLE LOADS AT THE ISOLATED DEVICE AND AT THE UPPER AND LOWER ATTACHMENTS TO STRUCTURES, DUCT, EQUIPMENT, ETC.
6. CONSULT MANUFACTURER FOR APPLICATION DATA.

**TYPICAL ISOLATION DEVICES**

## A.4 RADIATION PROTECTION AT WALL OPENINGS FOR DUCT OR PIPE

HARRISON D. GOODMAN\* AND GEORGE HOLLANDS\*\*

The purpose of these data sheets is to acquaint the air conditioning engineer with means for shielding ductwork and other openings that penetrate protective barriers around radiation facilities, particularly X-ray rooms.

Protection against radiation from X-ray tube, cyclotron, radium, or other radioactive material is primarily a question of shielding to reduce the level of radiation to a safe or specified amount, of maintaining safe distances from the rays, and/or of limiting the time of exposure

The prime consideration in preventing penetration of rays is its density of the shielding material. Lead is the densest of any commonly available. Where space is at a premium, particularly in modern buildings, and where utmost radiation protection is demanded, lead is invariably used. Lead is useful, especially where neutron and gamma rays are concerned, in that it does not itself become contaminated and emit harmful rays.

Lead, usually in sheet form, is used to line the walls, floor, and often the ceiling of rooms containing radiation facilities. Openings through the barrier for air ductwork, piping, service boxes, conduit, etc., require shielding, usually obtained by a lead barrier around or behind these building utilities of sufficient coverage and thickness to prevent penetration of these rays.

\* Mr. Goodman, formerly with Meyer, Strong, and Jones now has his own consulting practice in New York City. He has a masters degree in mechanical engineering from the University of Wisconsin, where he specialized in heat transfer, and is licensed professional engineer.

\*\* Mr. Hollands is Chief engineer, in charge of design of radiation shielding materials and equipment, for Bar-Ray Products, Inc., Brooklyn, N.Y. He is a member of ASTM, Society for Nondestructive Testing, Acoustical Society of America, and American Institute of Physics.

Shielding of duct and other openings in the protective barriers of radiation facilities depends on energy of radiation, orientation of the beam, dimensions, and location of opening in the protective barrier, geometrical relationship between the radiation source and opening, and geometrical relationship between opening and persons, materials, or instruments to be protected. The complexity of these factors requires the services of a radiological physicist, who determines extent of shielding, materials for shielding (usually lead or concrete) and the thickness of the shielding-material. After the radiological physicist has done the basic design for this shielding, the protective barrier contractor provides the required shielding for the opening.

### ROLE OF ENGINEER

Design of ductwork, piping, etc., should *anticipate* some of the problems encountered both in the design and installation of shielding. Also, coordination between air conditioning contractor and shielding fabricator can best be achieved by understanding and forethought on the part of the air conditioning designer.

Figures 1 to 4 give some idea of the *area of shielding* required around ductwork. They show various duct installations which penetrate the protective barrier for walls or partitions of X-ray rooms. Lead shielding is used to cover these openings, the *approximate* extent of which is indicated in terms of simple equations in involving the opening dimensions and wall thickness. These are *conservative estimates*, which will aid the air conditioning designer to understand what to expect as to the area of shielding ductwork. The radiological physicist actually determines for *each case* the *lead thickness* and the *exact amount of shielding* required.

Note in Figure 4 that the protective shielding deals with *primary* radiation, while Figures 1 to 3 show protection against *scattered* or *secondary* radiation. Primary radiation comes directly from the source; scattered radiation has been deviated in direction; and secondary radiation is emitted by an irradiated material. Primary radiation requires more protection because its energy level is higher.

### FABRICATION AND INSTALLATION

Sheet lead is not structurally self-supporting, so must be mounted to prevent sagging by its own weight. For lead thickness up to 3.5 mm, sheet lead can be readily shaped around round and small rectangular ducts, say



24" maximum diameter or width, with all joints overlapping at least 1/2". To hold these lead sheets in place, 1" wide iron bands should be placed around the periphery of the duct on approximately 12" centers, care being taken not to cut into the lead when the bands are bolted up.

When lead thickness is greater than 3.5 mm or duct or duct width exceeds 24", lead shielding should be laminated on a plywood or similar structural core, which is made in sections or panels to conform to the sides of the duct. The laminated sections are mechanically fastened at the seams and corners. These joints are lapped with sheet lead angles or lead strips, the width of which is twice the thickness of the lead, but not less than 1/2 inch in any case. Nails, bolts, screws, or other fasteners used to secure the lead sheet or panel must be covered with lead of thickness equal to the lead sheet. Lead headed nails may be used as shown in Figure 5.

For lead shielding of 1.0 mm or less, flexible leaded vinyl sheets can be used for easy forming to complex shapes and contours. The flexible leaded vinyl sheets can be applied in layers where heavier than 1.0 mm lead shielding is required. If the duct has a flexible vinyl sheets could be applied over it more readily than other forms of shielding.

Duct hangers are best installed on the outside of the lead shielding so that the hanger rods or straps do not have to pierce the shielding. The lead shielding adds considerably to the weight of the duct and the hangers should be substantial, with such adequate anchoring in the slab above as fish plates. For rectangular ducts, trapeze hangers would be the most practical. For design purposes, estimate each 1/16" of lead at 4 lb. per sq. ft.

Tests for radiation leakage are usually made after the room is finished and the equipment is installed. It is very important to install shielding properly during the course of construction because of the expense in making corrections to the finished protective barrier. Moreover, equipment such as dampers should never be put in the shielded section of the ductwork, as repairs to this equipment would be very costly if the shielding must be dismantled.

A simple way to avoid penetration of the protective barrier's lead lining by pipes or wires is to offset them as close behind the lead lining as possible so that they can be backed with a lead sheet of sufficient size to

prevent passage of the rays at any angle. This lead patch method is also used for electric switch boxes located in the wall.

## MEDICAL INSTALLATION

The extent of the protective barrier for medical installations is summarized below so that the air conditioning designer can tell whether ducts or pipes running through such spaces are likely to be a problem. For medical radiographic and fluoroscopic rooms the lead shielding generally does not extend above a line 7", 0" from the finished floor; and if the service lines and ducts can be located above this line, shielding around them is obviously unnecessary. For X-ray therapy rooms, lead shielding may extend to the ceiling or structural slab. The ceiling or slab above and the floor may also be lead lined, depending upon output of the machine and other conditions. For industrial X-ray work, wall shielding may extend to the ceiling. Both ceiling and floor in some cases will require lead lining.

For shielding in supervoltage rooms, special conditions may apply. In any event, the radiological physicist should be consulted to design the proper protection. Where concrete is considered for the shielding material, it is often more practical to use lead of equivalent value for the shielding of openings. Where recesses occur in concrete barriers for equipment, lead backing, equivalent to the thickness of the concrete removed, should be provided.

## BIBLIOGRAPHY

Of the many publication available on the subject of radiation protection, these two are the most useful:

1. Medical X-ray Protection Up to Three Million Volts, Handbook No. 76, National Bureau of Standards, 1961;
2. Radiation Protection, Lead Industries Association, 292 Madison Avenue, New York, N.Y.

In addition, the New York City Health Department publishes the New York City Health Code requirements dealing with radiological hazards (Article 175).

*Notice:* This article and associated drawings are reproduced from a 1984 printing of *A Guide to The Use of Lead For Radiation Shielding* with permission of the Lead Industries Association.



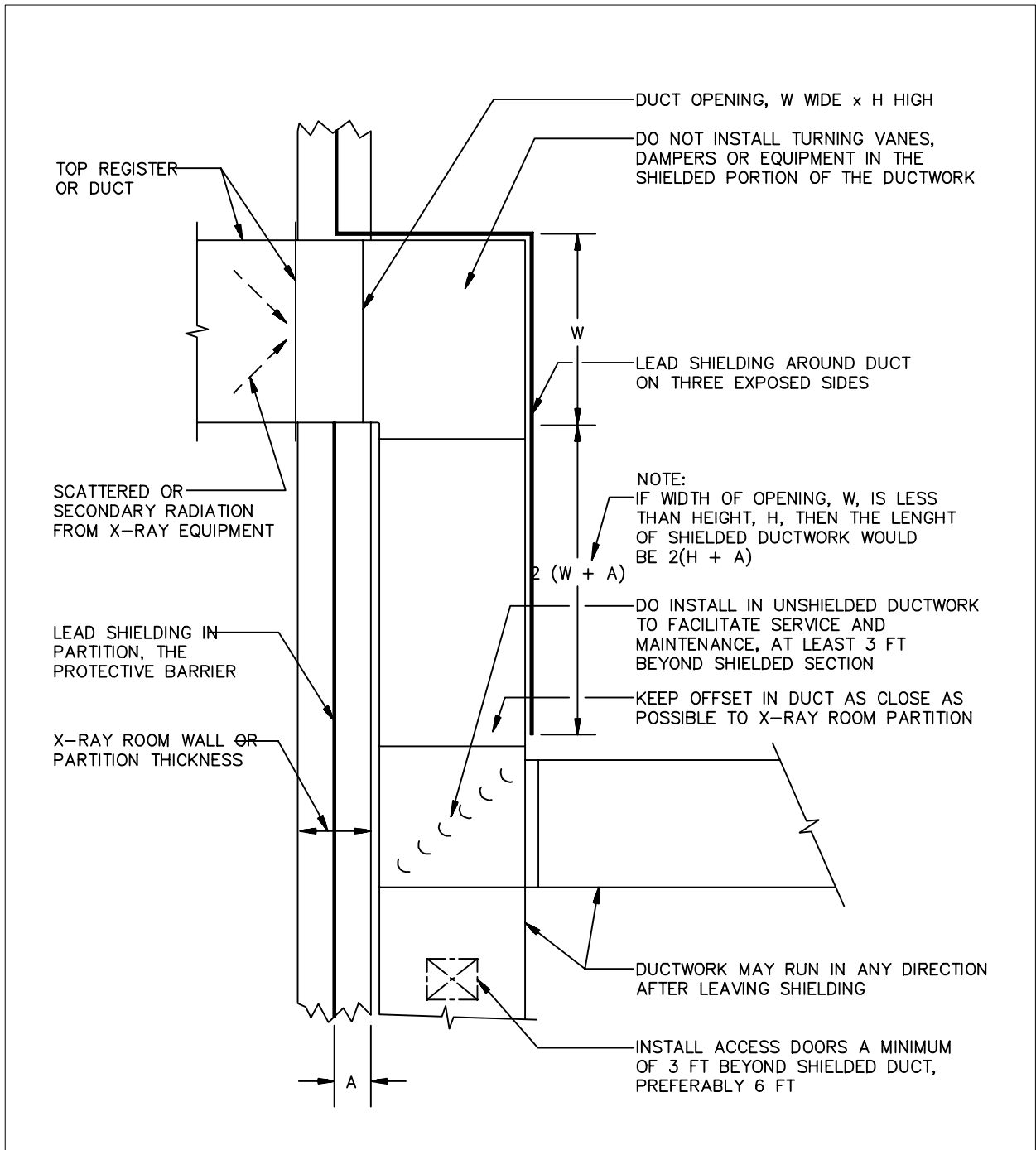


FIGURE 1

PLAN VIEW OF DUCT RUNNING THROUGH PARTITION OF X-RAY ROOM, EXPOSED TO SECONDARY OR SCATTERED RADIATION.

## RADIATION PROTECTION AT WALL OPENINGS



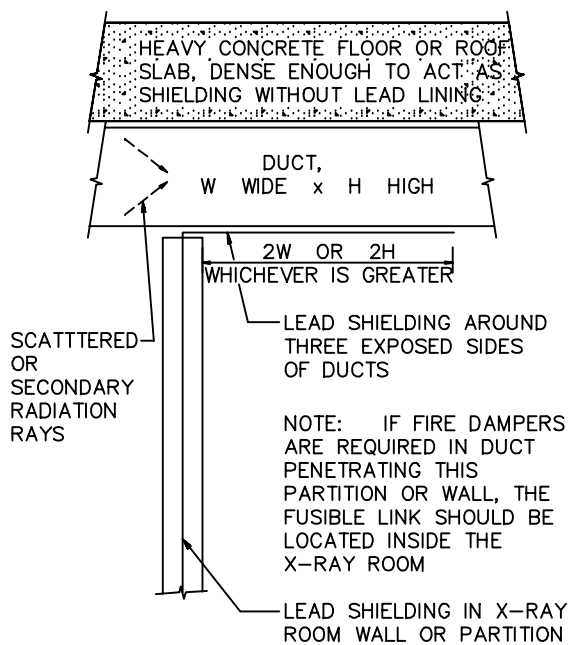


FIGURE 2

EVALUATION OF SECTION THROUGH X-RAY ROOM PARTITION WHERE DUCT OPENING IS EXPOSED TO SECONDARY RADIATION.

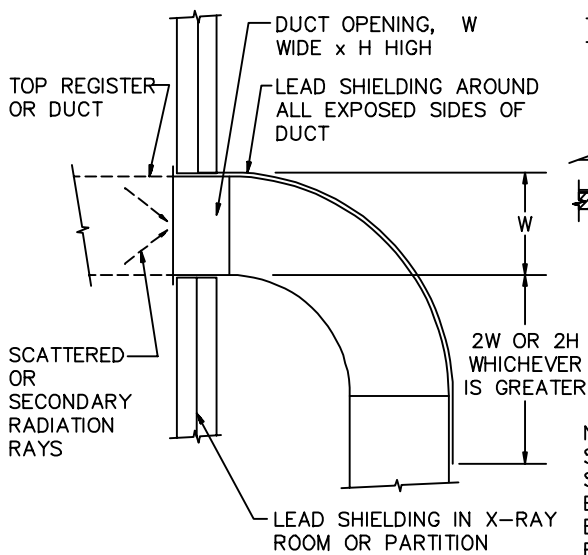


FIGURE 3

PLAN VIEW OF RADIUS ELBOW IN DUCTWORK RUNNING THROUGH PARTITION OF X-RAY ROOM, EXPOSED TO SECONDARY OR SCATTERED RADIATION.

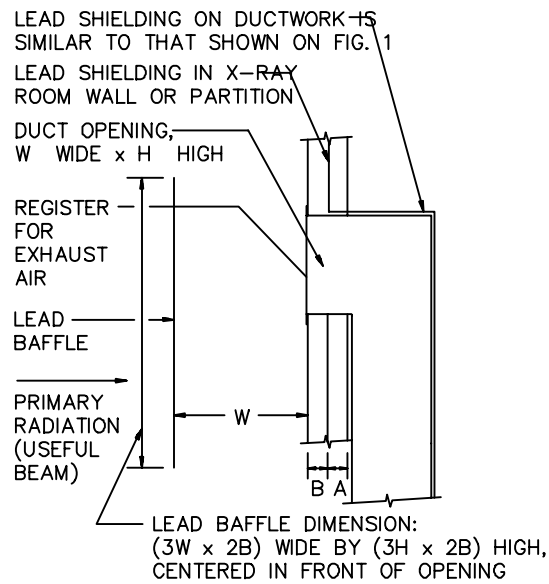


FIGURE 4

PLAN VIEW OF DUCT RUNNING THROUGH PARTITION OF X-RAY ROOM, EXPOSED TO PRIMARY RADIATION.

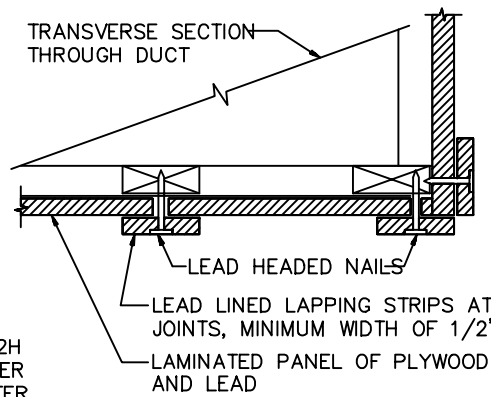
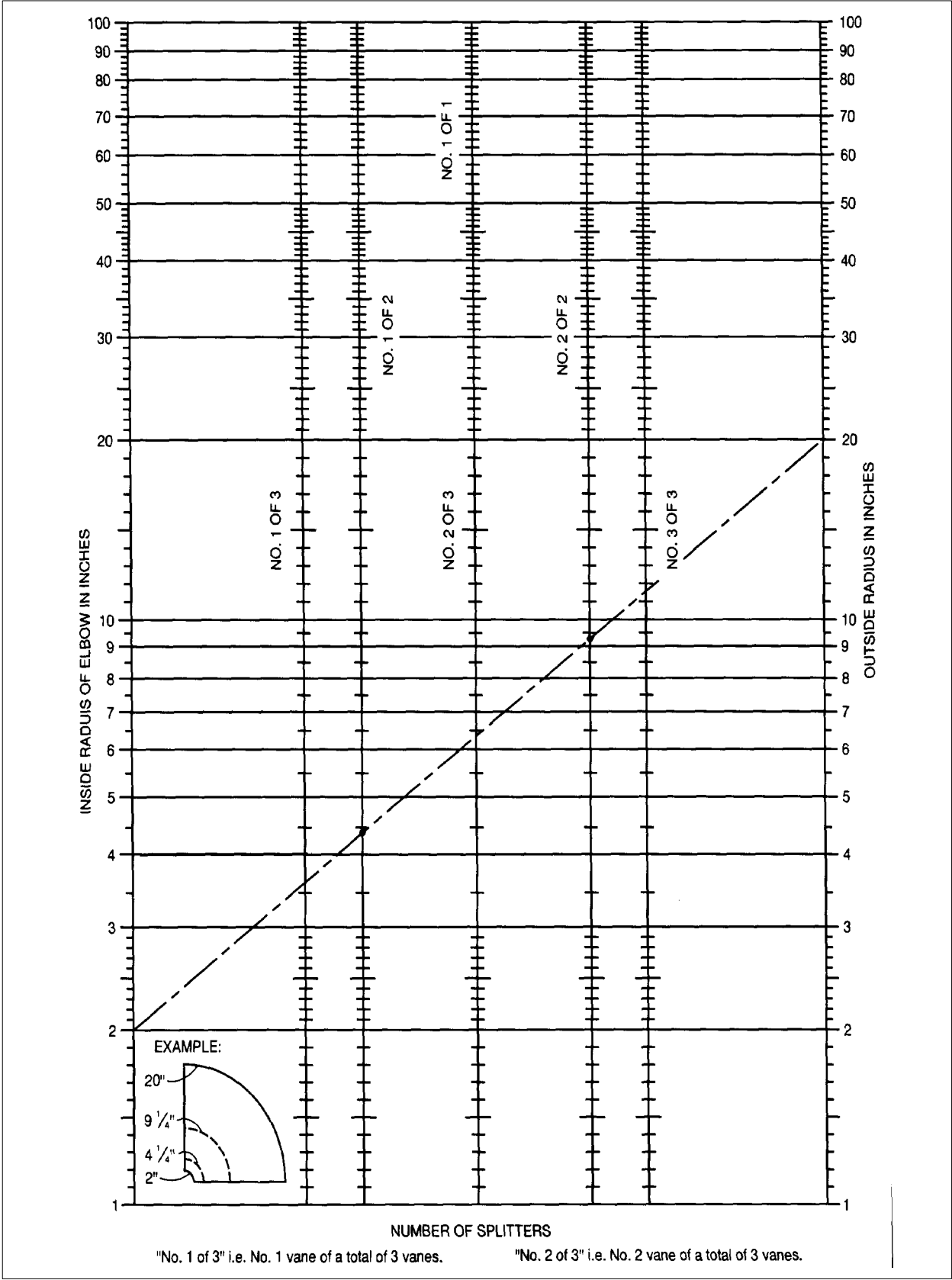


FIGURE 5

NOTE: LET DUCT REST ON WOOD STRIPS FOR SUPPORT. SUBSTANTIAL TRAPEZE HANGERS SHOULD BE USED FOR SUPPORTING SHIELDING ENCLOSURE. HANGER RODS MUST BE RIGID ENOUGH TO PREVENT ANY SWAY OF THE ENCLOSURE

CONSTRUCTION OF LAMINATED PANEL ENCLOSURE AROUND SHIELDED DUCTWORK.

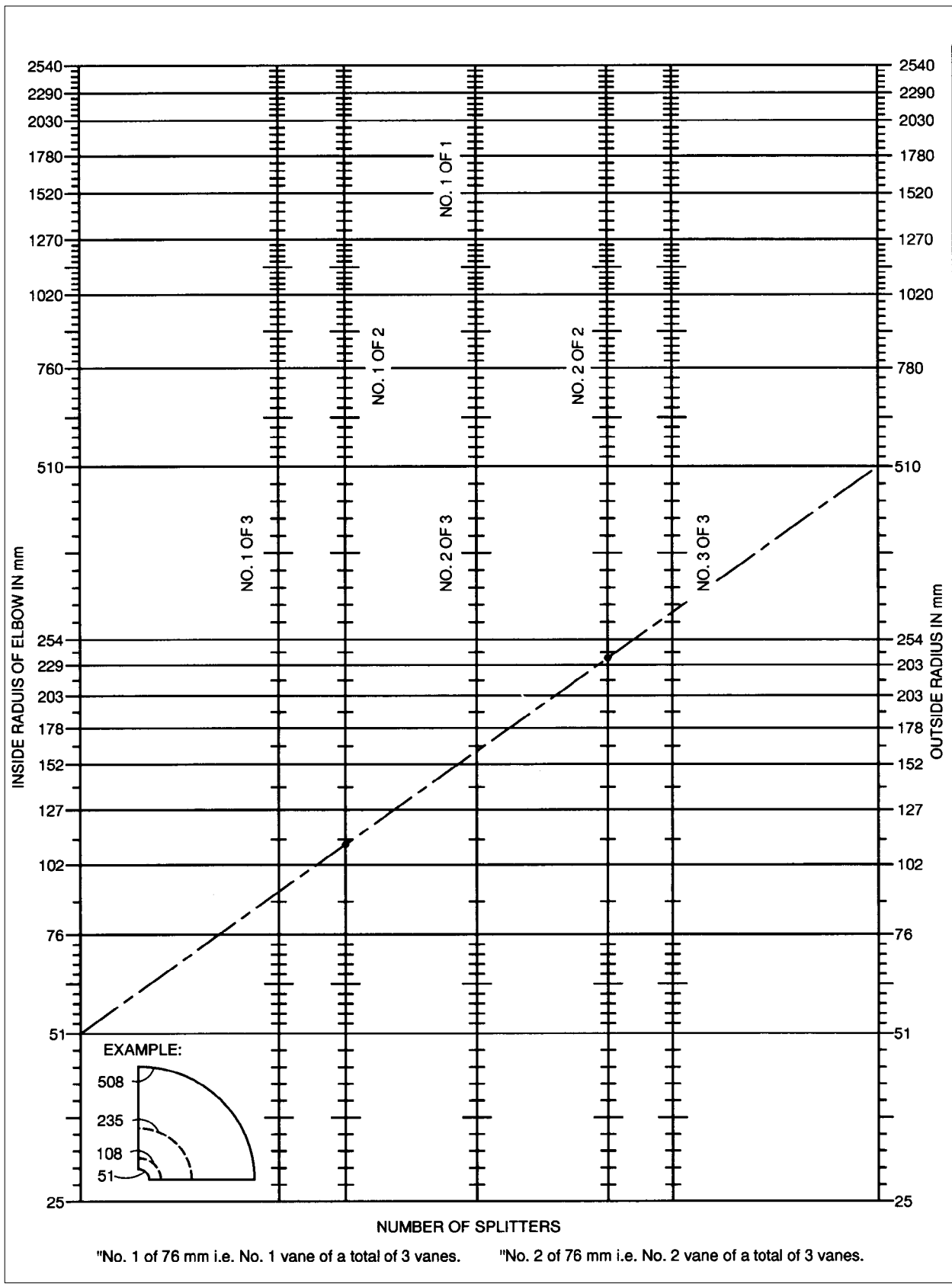
## RADIATION PROTECTION AT WALL OPENINGS



**NUMBER OF SHORT RADIUS VANES**



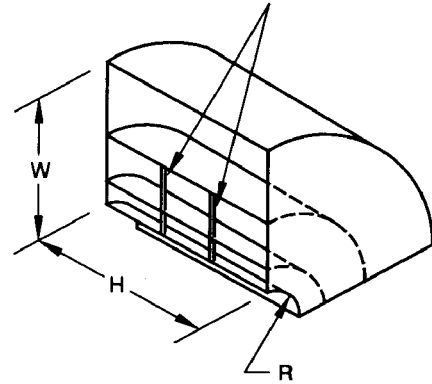




**NUMBER OF SHORT RADIUS VANES (METRIC)**

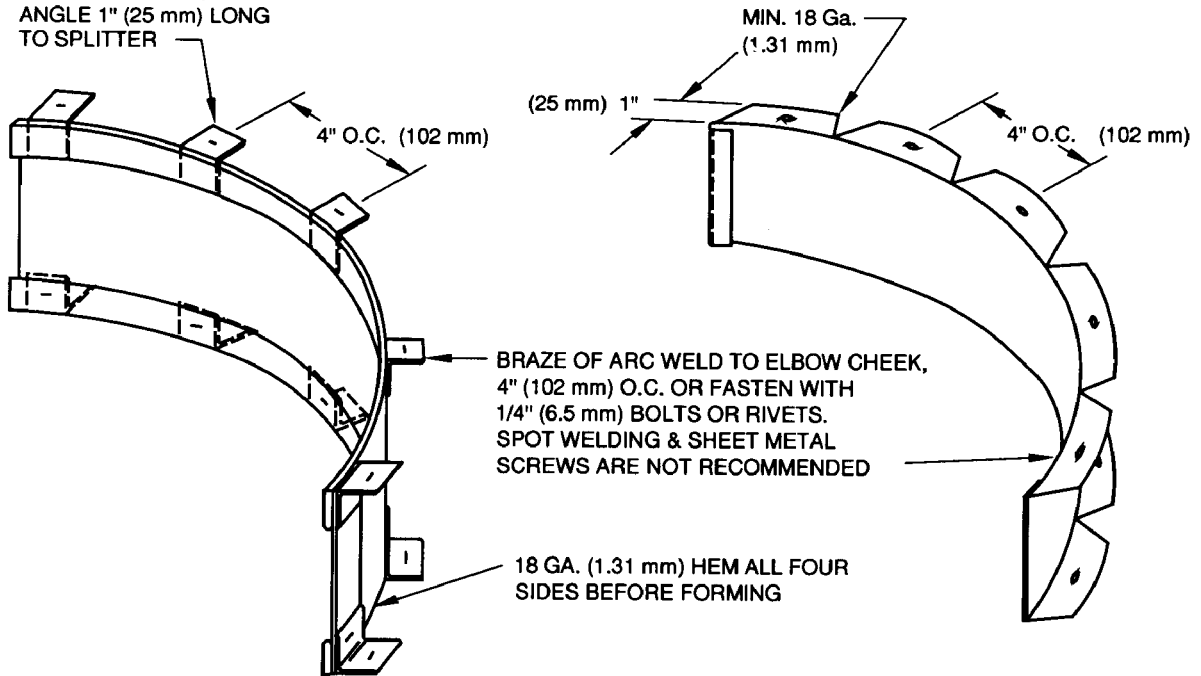
LOSS COEFFICIENTS FOR USE OF 1, 2, OR 3 VANES DEPENDS ON ASPECT RATIO (H/W) AND A CURVE RATIO (CR) WHICH DEFINES VANE LOCATION IN TERMS OF THROAT RADIUS. THIS DATA IS IN THE 1990 SMACNA DUCT DESIGN MANUAL TABLE 14-10 (G) AND IN THE ASHRAE HANDBOOK.

1/4" (6.4 mm) TIE RODS ON INLET & OUTLET WELDED TO VANES AND INSIDE FACE OF ELBOW



ELBOW DEPTH H REQUIRED (mm)	NUMBER OF TIE RODS
0 - 12" (305)	NONE
13 - 20" (330 - 508)	1
21 - 48" (533 - 1219)	2
49 - 64" (1243 - 1626)	3
65 - 80" (1651 - 2032)	4

WELD OR RIVET 1"x1"x1/8"  
(2.5 x 2.5 x 3.2 mm)  
ANGLE 1" (25 mm) LONG  
TO SPLITTER



SPLITTER DETAIL

### CONSTRUCTION OF SHORT RADIUS VANES



**CONTRIBUTOR TO DOCUMENTS PRECEDING THE SECOND EDITION OF  
HVAC DUCT CONSTRUCTION STANDARDS METAL FLEXIBLE**

*Low Velocity Systems Duct Manual*

*1st Edition, 1959, Committee*

Angelo Hoffman, Chairman, Milwaukee, WI

John John Creegan, Hawthorn, NJ

Charles H. Johnson, East Moline, IL

Lawrence Paul, Chicago, IL

D.E. Mannon, Cleveland, OH

Paul Stromberg, Washington, DC

Harold C. Stevens, Chicago, IL

*2nd Edition, 1963, Committee*

J. Frank Park, Chairman, Compton, CA

John John Creegan, Hawthorn, NJ

M. A. Punchard, Fort Worth, TX

Harold C. Stevens, Chicago, IL

Robert Schomann, Milwaukee, WI

*3rd Edition, 1967, Committee*

J. Frank Park, Chairman, Compton, CA

Arnold N. Brodie, Oak Park, MI; Isidore Jacobson,

Isidore Jacobson, Cincinnati, OH

D. E. Mannen, Cleveland, OH

M. A. Punchard, Fort Worth, TX

Harold C. Stevens, Chicago, IL

*Low Velocity Duct Construction Standard*

*4th Edition, 1969, Committee*

J. Frank Park, Chairman, Compton, CA

Isidore Jacobson, Cincinnati, OH

D. E. Mannen, Cleveland, OH

M. A. Punchard, Fort Worth, TX

Harold C. Stevens, Chicago, IL

*Low Pressure Duct Construction Standard*

*5th Edition, 1976, Committee*

Earl Burmelster, Chairman, Des Moines, IA

Claude Wilson, Bozeman, MT

Richard Friedman, Richmond, CA

Robert Gawnw, Washington, DC

John Stratton, Vienna, VA

**OTHER CONTRIBUTORS TO 1976 EDITION**

Robet Tumberger, Chairman, Kansas City, MO

Frank Swanda, Chairman, Oklahoma City, OK

Ernest Boniface, Wayne, NJ

John Burnett, Phoenix, AZ

Dick Cramer, Flint, MI

Floyd Deeds, Salt Lake City UT

Warren Hanna, Farmingham, MA

Fred Hershman, Philadelphia, PA

John Higgins, St. Louis, MO

Ron Keeler, Edmonton, Alberta, Canada

D. C. Lee, Birmingham, AL

Bill Orchard, North Brunswick, NJ

John Paoluccio, Modesto, CA

Wayne Parriot, St. Paul, MN

James Ray, Atlanta, GA

Gordon Root, Burlington, VT

Harold Stevens, Chicago, IL

Gene Van Dyke, Denver, CO

Test Program: Pat Bentz,, Vienna, VA

*High Velocity Duct Construction Standards*

*2nd Edition, 1969, Committee*

Donal J. Moshart, Jr., Chairman, Pittsburg, PA

Lawrence O. Paul, Chicago, IL

Gilbert G. Dorsett, Dallas, TX

Richard Peabody, Philadelphia, PA

Jerome C. Ross, New York, NY

*High Pressure Duct Construction Standards*

*3rd Edition, 1975, Committee*

Bowman Turner, Chairman, Columbus, OH

Gilbert Wood, Houston, TX

John Gruss, Kansas City, MO

Floyd Deeds, Salt Lake City, UT

John Stratton, Vienna, VA

Test Program: Pat Bentz, Vienna, VA

*Duct Liner Applications Standard*

*1st Edition, 1971, Committee*

Joseph B. Whatley, Chairman, Tampa, FL

G.E. Daniel, St. Petersburg, FL

Bill R. Svejkovsky, Oklahoma City, OK

Robert Segal, Farmington, MI

Harold Stevens, Chicago, IL

Robert W. Boltz, Arlington, VA

Robert G. Sandvik, Arlington, VA

*High Velocity Duct Systems Manual*

*1st Edition, 1965, Committee*

Donal J. Moshart, Jr., Chairman, Pittsburg, PA

Gilbert G. Dorsett, Dallas, TX

William M. Harmon, Columbus, OH

Richard Peabody, Philadelphia, PA

Jerome C. Ross, New York, NY



## OTHER CONTRIBUTORS

National Insulation Manufacturers Association  
 Adhesive And Sealant Council, Inc.  
 Duro- Dyne Corporation  
 Gripnail Corporation  
 Omark Industries  
 Stic- Klip Company

*Duct Liner Application Standard  
 2nd Edition, 1975, Committee*  
 Joseph B. Whatley, Chairman, Tampa, FL  
 G.E. Daniel, St. Petersburg, FL  
 Bill R. Svejkovsky, Oklahoma City, OK  
 Robert Segal, Farmington, MI  
 Gerard Iacouzze, Vienna, VA

## CONTRIBUTOR

Therman Insulation Manufacturers Association

Daniel J. Driscoll, Philadelphia, PA  
 Wallace E. Fizer, Lexington, KY  
 Harold Nepereny, Vienna, VA

*Flexible Duct Installation Standards  
 1st Edition, 1979, Fibrous Products Committee*  
 Robert E. Taylor, Chairman, Salt Lake City, UT  
 Burton H. Anderson, San Leandro, CA  
 G. E. Daniel, St. Petersburg, FL  
 Daniel J. Driscoll, Philadelphia, PA  
 Wallace E. Fizer, Lexington, KY  
 Robert Gawne, Washington, DC  
 Harold Nepereny, Vienna, VA

*HVAC Duct Construction Standards-Metal and Flexible  
 1st Edition, 1985, Committee*  
 Thomas J. Boniface, Chairman, Wayne, NJ  
 Earl Burmelster, Chairman 1976 to 1983,  
 W. Des Moine, IA  
 Robert S. Deeds, Salt Lake City, UT  
 Frank D. Ellis, Sparks, NV  
 Norman T. R. Heathorn, Oakland, CA  
 William J. Knecht, Camden, NJ  
 Daniel Steimer, Portland, OR  
 John H. Stratton, Vienna, VA

*2nd Edition, 1980, Fibrous Products Committee*  
 Robert E. Taylor, Chairman, Salt Lake City, UT  
 John Aimonette, Ft. Lauderdale, FL

## FORMER MEMBERS OF FIRST EDITION

Floyd W. Deeds, Salt Lake City, UT  
 Richard Friedman, Richmond, CA  
 John J. Gruss, Shawnee Mission, KS  
 Joe Hunter, Falls Church, VA  
 Claude Wilson, Bozeman, MT  
 Donald Partney, Granite City, IL

Fibrous Products Standards Committee  
 Contributors to Duct Liner and Flexible Duct  
 Sections Of The HVAC- DCS, First Edition  
 John Aimonette, Chairman, Ft. Lauderdale, FL  
 Robert E. Taylor, Salt Lake City, UT  
 Keith Pierson, Sacramento, CA  
 Herbert Delasco, South Windsor, CT  
 Joe Ibsen, San Bernardino, CA  
 Daniel J. Driscoll, Philadelphia, PA

<b>The National Association Sheet Metal Contractors 1929</b>		
RECTANGULAR SIZES	GAGES OF SHEETS FOR DUCT SIZES	ROUND DIAMETER
Up to 12 in.	26	Up to 12 in.
13 to 30 in.	24	13 to 30 in.
31 to 42 in.	22	31 to 40 in.
43 to 60 in.	20	41 to 60 in.
61 in. and over	18	61 in and over

