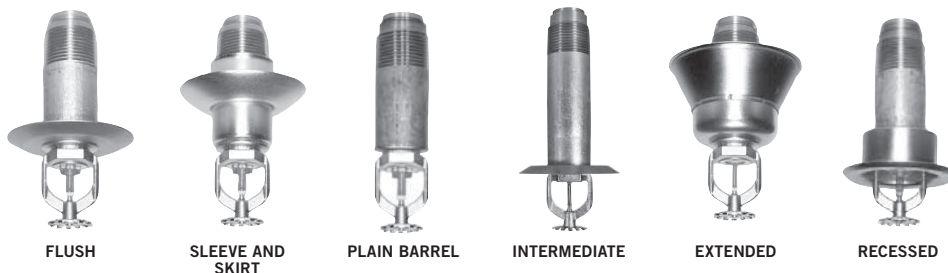


V36, K8.0

Dry Type Standard Spray
Pendent, Intermediate Level Pendent
& Recessed Pendent

V3607 STANDARD RESPONSE
V3608 QUICK RESPONSE



The V36 Dry Sprinkler is used in special applications such as freezing environments and conditions where sediment or foreign materials might accumulate in ordinary drop nipples.

The Models V3608 and V3607 Intermediate Level Pendent sprinklers incorporate a water shield plate to prevent water from higher level sprinklers from interfering with normal operation. These intermediate level sprinklers are designed for use in intermediate levels of rack storage or other open grate storage arrangements, where they may be exposed to upper level or ceiling level sprinklers.

Available in either standard or quick response versions, the Model V36 Dry Type Pendent Sprinkler utilizes a frangible glass bulb. At the bulb's rated temperature, the sprinkler opens releasing the bulb seat assembly, causing the inner tube assembly to move, allowing the spring assembly to pivot alongside the inner tube. At this time, water flows through the sprinkler and is distributed by the deflector, in an approved discharge pattern.

The heart of the Model V36 sprinkler's proven actuating assembly is a hermetically sealed frangible glass bulb that contains a precisely measured amount of fluid. When heat is absorbed, the liquid within the bulb expands increasing the internal pressure. At the prescribed temperature the internal pressure within the bulb exceeds the strength of the glass causing the glass to shatter. This results in water discharge which is distributed in an approved pattern.

COVERAGE:

For coverage area and sprinkler placement, refer to NFPA 13 standards.

NOTE:

These sprinklers meet the new test requirements in UL 199, effective March 26, 2004

JOB OWNER

System No. _____
Location _____

CONTRACTOR

Submitted By _____
Date _____

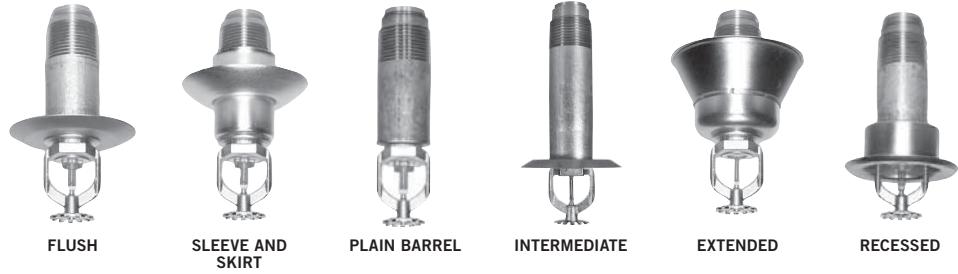
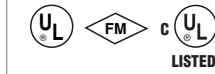
ENGINEER

Spec Sect _____ Para _____
Approved _____
Date _____

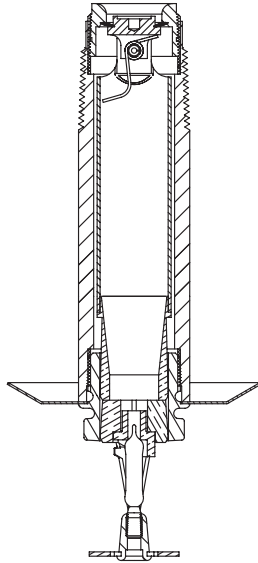
V36, K8.0

Dry Type Standard Spray
Pendent, Intermediate Level Pendent
& Recessed Pendent

V3607 STANDARD RESPONSE
V3608 QUICK RESPONSE



TECHNICAL SPECIFICATIONS:



Exaggerated for Clarity

Nominal Orifice Size: 1/32"/14mm
Orifice Insert: Stainless steel per UNS S30300
K-Factor: 8.0 Imp./11.5 S.I.^
Nominal Thread Size: 1" NPT/33.7mm
Max. Working Pressure: 175 psi/1200kPa
Factory Hydrostatic Test: 100% @ 500psi/3450kPa
Min. Operating Pressure: 7 psi/48kPa
 Temperature Rating: See chart on page 3

MATERIAL SPECIFICATIONS
Deflector: Brass per UNS C22000 or Stainless Steel per UNS S30400
Bulb: Glass with glycerin solution
 • Standard: 5.0mm
 • Quick Response: 3.0mm
Split Spacer: Stainless steel per UNS S30300
Load Screw: Brass per UNS C36000
Pip Cap: Stainless steel per UNS S30300
Spring Seal Assembly: Teflon* coated Beryllium nickel alloy and stainless steel per UNS S30300
Frame: Die cast brass
Outer Tube: Galvanized steel pipe
Inner Tube: Stainless Steel per UNS S30400
Escutcheon/Plate: 1010 - 1018 mild steel and Stainless Steel
Torsion Spring: SST Wire

ACCESSORIES
Installation Wrench: Model V36 Open End and Recessed Wrenches fit all V36 Series frames.
Finishes:

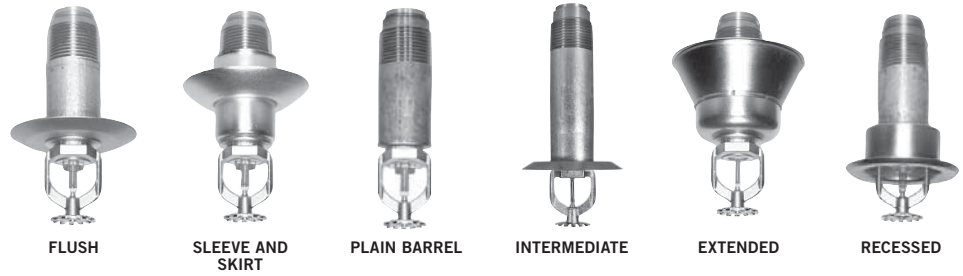
- Plain brass
- Chrome plated ^Δ
- White Painted † ^Δ
- Flat black painted † ^Δ
- Custom painted † ^Δ
- Wax ^Δ
- Proprietary Nickel Teflon* Coated ^Δ

For cabinets and other accessories refer to separate sheet.
[^] For K-Factor when pressure is measured in Bar, multiply S.I. units by 10.0.
^{*} Teflon is a registered trademark of Dupont Co.
[†] Not available on the Intermediate Level Style Pendent.
^Δ UL Listed for corrosion resistance in all configurations.
NOTES:
 1. Weather resistant escutcheons available upon request.
 2. Only the Plain Brass and Nickel Teflon finishes are FM approved.

V36, K8.0

Dry Type Standard Spray
Pendent, Intermediate Level Pendent
& Recessed Pendent

V3607 STANDARD RESPONSE
V3608 QUICK RESPONSE



APPROVALS/LISTINGS

Model	Orifice Size	Nominal K-Factor	Response	Deflector Type	Approved Temperature Ratings °F/°C ‡ *		
					Inches mm	Imperial S.I. ^	Standard or Quick
V3608	17/32 14	8.0 11.5	Quick	Pendent	135, 155, 200, 286 57, 68, 93, 141	135, 155, 200, 286 57, 68, 93, 141	135, 155, 200, 286 57, 68, 93, 141
V3608	17/32 14	8.0 11.5	Quick	Recessed Pendent	135, 155, 200, 286 57, 68, 93, 141	135, 155, 200, 286 57, 68, 93, 141	135, 155, 200 57, 68, 93
V3607	17/32 14	8.0 11.5	Standard	Pendent	135, 155, 200, 286 57, 68, 93, 141	135, 155, 200, 286 57, 68, 93, 141	135, 155, 200, 286 57, 68, 93, 141
V3607	17/32 14	8.0 11.5	Standard	Recessed Pendent	135, 155, 200, 286 57, 68, 93, 141	135, 155, 200, 286 57, 68, 93, 141	135, 155, 200 57, 68, 93

‡ Listings and approval as of printing.

^ For K-Factor when pressure is measured in Bar, multiply S.I. units by 10.

*Listed for all hazards.

† Approved for V3607 and V3608 dry sprinklers up to 30" length.

** Approved for V3607 and V3608 up to 48" length.

NOTE: Intermediate Level Pendent is not FM Approved.

RATINGS

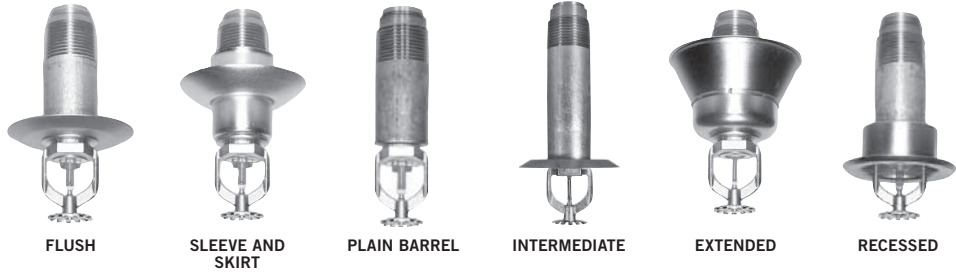
All glass bulbs are rated for temperatures from -67°F/-55°C to those shown in table below.

Sprinkler Temperature Classification	Temperature – °F/°C		Glass Bulb Color
	Nominal Temperature Rating	Maximum Ambient Temperature Allowed	
Ordinary	135	100	Orange
	57	38	
Ordinary	155	100	Red
	68	38	
Intermediate	200	150	Green
	93	65	
Intermediate	286	225	Blue
	141	107	

V36, K8.0

Dry Type Standard Spray
Pendent, Intermediate Level Pendent
& Recessed Pendent

V3607 STANDARD RESPONSE
V3608 QUICK RESPONSE



ORDERING INFORMATION

Please specify the following when ordering:

Sprinkler Model Number	
Style	
Temperature Rating	
K-Factor	
Quantity	
Sprinkler Finish	
Escutcheon Finish	
"A" Dimension - Distance from face of fitting to the finished ceiling line regardless of escutcheon used.	

AVAILABLE WRENCHES

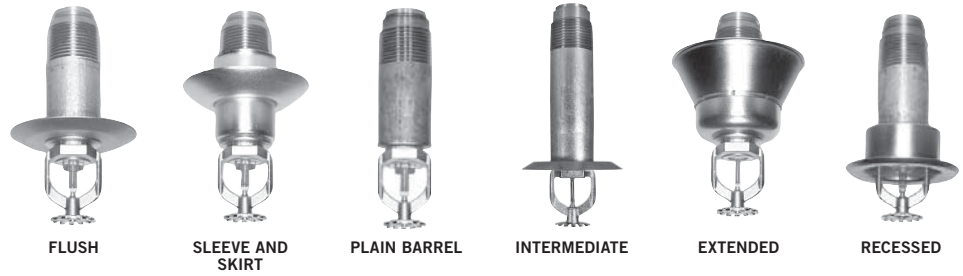
Model V36 Open End and Recessed Wrenches fit all V36 Series frames.






V36, K8.0

Dry Type Standard Spray
Pendent, Intermediate Level Pendent
& Recessed Pendent

V3607 STANDARD RESPONSE
V3608 QUICK RESPONSE



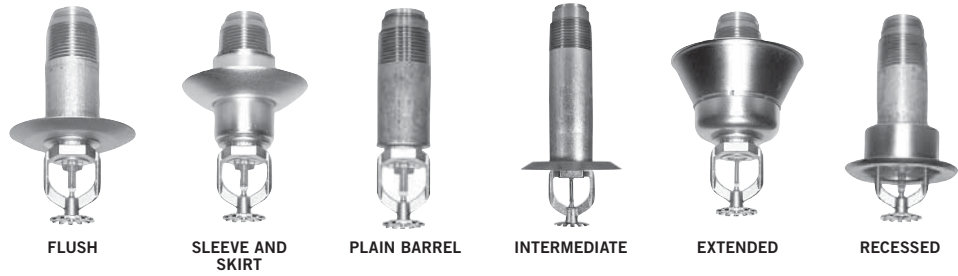
WARNING

WARNING	
  	<ul style="list-style-type: none"> Always read and understand installation, care, and maintenance instructions, supplied with each box of sprinklers, before proceeding with installation of any sprinklers. Always wear safety glasses and foot protection. Depressurize and drain the piping system before attempting to install, remove, or adjust any Victaulic piping products. Installation rules, especially those governing obstruction, must be strictly followed. Painting, plating, or any re-coating of sprinklers (other than that supplied by Victaulic) is not allowed. <p>Failure to follow these instructions could result in serious personal injury and/or property damage.</p> <p>The owner is responsible for maintaining the fire protection system and devices in proper operating condition. For minimum maintenance and inspection requirements, refer to the current National Fire Protection Association pamphlet that describes care and maintenance of sprinkler systems. In addition, the authority having jurisdiction may have additional maintenance, testing, and inspection requirements that must be followed.</p> <p>If you need additional copies of this publication, or if you have any questions about the safe installation of this product, contact Victaulic World Headquarters: P.O. Box 31, Easton, Pennsylvania 18044-0031 USA, Telephone: 001-610-559-3300.</p>

V36, K8.0

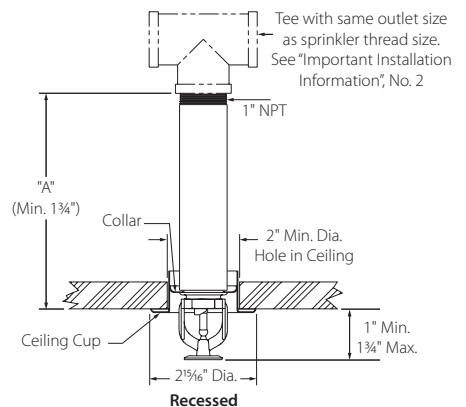
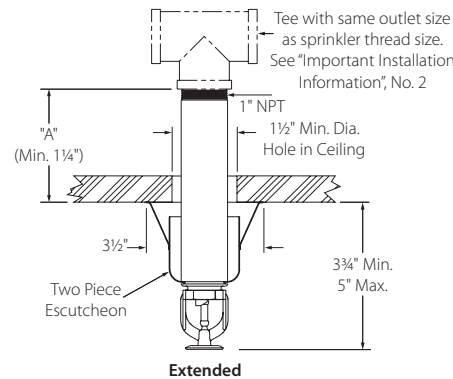
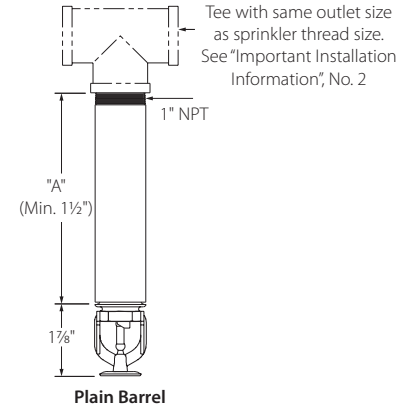
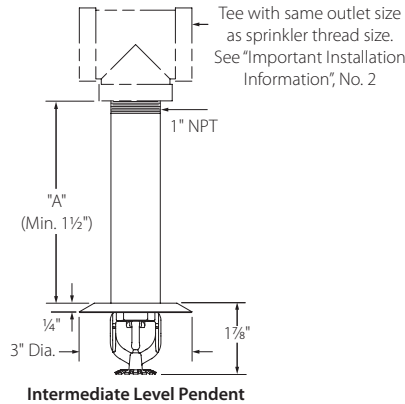
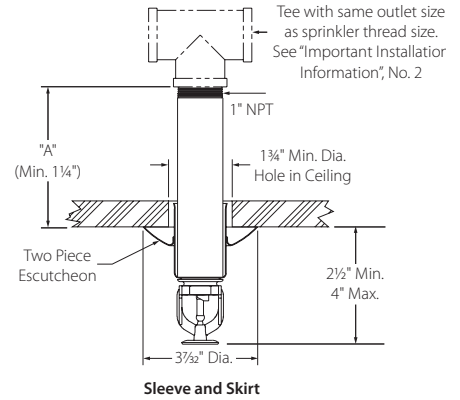
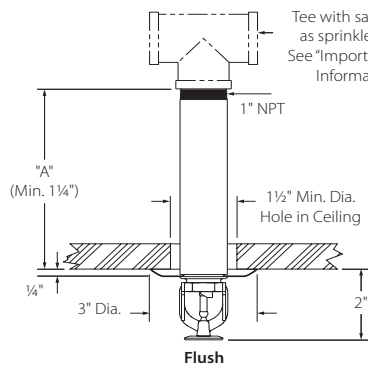
Dry Type Standard Spray
Pendent, Intermediate Level Pendent
& Recessed Pendent

V3607 STANDARD RESPONSE
V3608 QUICK RESPONSE



DIMENSIONS

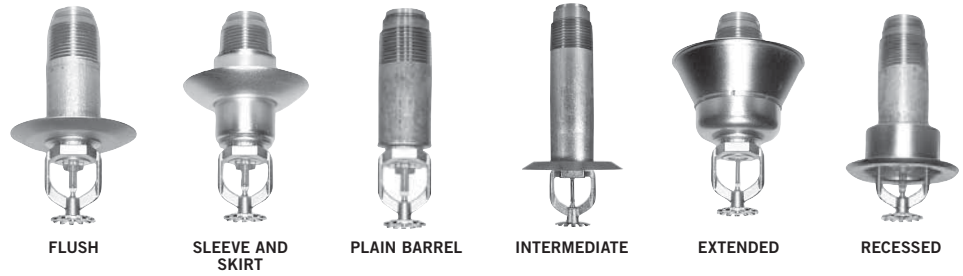
NOTE: The "A" dimension of a dry sprinkler which extends into freezers from wet pipe systems should be sized to provide at least 14" between the freezer's outside wall or ceiling and the wet pipe.



V36, K8.0

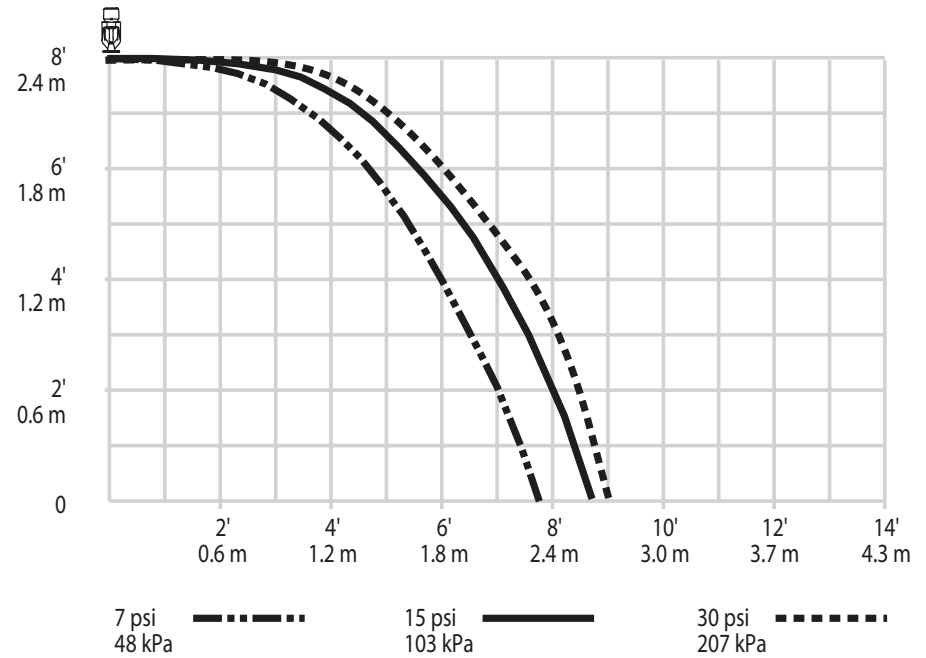
Dry Type Standard Spray
Pendent, Intermediate Level Pendent
& Recessed Pendent

V3607 STANDARD RESPONSE
V3608 QUICK RESPONSE



DISTRIBUTION PATTERNS

MODELS V3608, V3607 PENDENT, RECESSED PENDENT & INTERMEDIATE LEVEL PENDENT DISTRIBUTION PATTERNS – TRAJECTORY



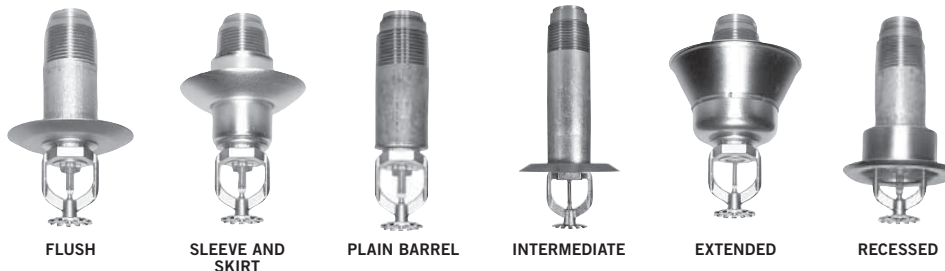
NOTES:

- 1 Data shown is approximate and can vary due to differences in installation.
- 2 These graphs illustrate approximate trajectories, floor-wetting, and wall-wetting patterns for these specific Victaulic FireLock automatic sprinklers. They are provided as information for guidance in avoiding obstructions to sprinklers and should not be used as minimum sprinkler spacing rules for installation. Refer to the appropriate NFPA National Fire Code and the Authority Having Jurisdiction for specific information regarding obstructions, spacing limitations and area of coverage requirements. Failure to follow these guidelines could adversely affect the performance of the sprinkler and will void all Listings, Approvals and Warranties.
- 3 All patterns are symmetrical to the centerline of the waterway.

V36, K8.0

Dry Type Standard Spray
Pendent, Intermediate Level Pendent
& Recessed Pendent

V3607 STANDARD RESPONSE
V3608 QUICK RESPONSE



IMPORTANT INSTALLATION INFORMATION

For detailed installation instructions, see publication I-40.

- No. 1** Victaulic Model V36 Series Dry sprinklers should be installed in accordance with NFPA 13. These sprinklers are to be installed using a pipe wrench applied to the outer tube. When this is not possible, the proper sprinkler wrench may be used with extreme care for lengths up to approximately 18". Excessive force may distort the frame thus destroying the unit.
- No. 2** Dry sprinklers **MUST** be installed only into the outlet of a cast or malleable iron tee.
- No. 3** **DO NOT** install dry sprinklers into any couplings or threaded elbows. In addition, **DO NOT** install dry sprinklers into any fitting that interferes with thread penetration. **NOTE:** The end seal of the dry sprinkler **MUST NOT** bottom out in the fitting.

WARRANTY

Refer to the Warranty section of the current Price List or contact Victaulic for details.

NOTE

This product shall be manufactured by Victaulic or to Victaulic specifications. All products to be installed in accordance with current Victaulic installation/assembly instructions. Victaulic reserves the right to change product specifications, designs and standard equipment without notice and without incurring obligations.

US & WORLD HEADQUARTERS

P.O. Box 31
Easton, PA 18044-0031 USA

4901 Kesslersville Road
Easton, PA 18040 USA

1-800-PICK-VIC (1-800-742-5842)
1-610-559-3300
1-610-250-8817 (fax)
pickvic@victaulic.com

www.victaulic.com

CANADA

905-884-7444
905-884-9774 (fax)
viccanada@victaulic.com

EUROPE

32-9-381-15-00
32-9-380-44-38 (fax)
viceuro@victaulic.be

UNITED KINGDOM

44 (0) 1438741100
44 (0) 1438313883 (fax)
viceuro@victaulic.be

CENTRAL AND SOUTH AMERICA

1-610-559-3300
1-610-559-3608 (fax)
vical@victaulic.com

ASIA PACIFIC

86-21-54253300
86-21-54253671 (fax)
vicap@victaulic.com

MIDDLE EAST

971-4-883-88-70
971-4-883-88-60 (fax)

