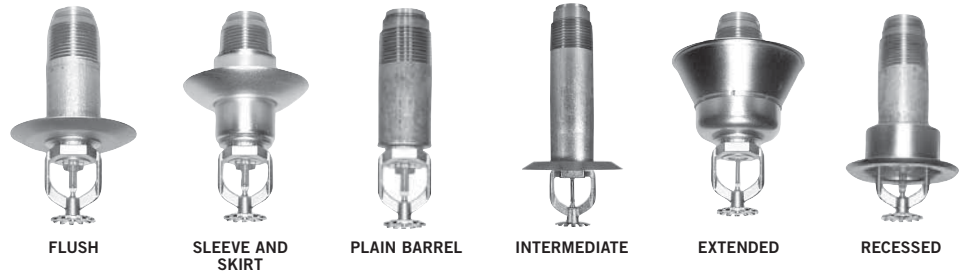


# V36, K5.6

Dry Type Standard Spray  
Pendent, Intermediate Level Pendent  
& Recessed Pendent

**V3605 STANDARD RESPONSE**  
**V3606 QUICK RESPONSE**



The Model V36 Series Dry Type Pendent and Recessed Pendent Sprinklers have been redesigned utilizing stainless steel internal components. The V36 Dry Sprinkler is used in special applications such as freezing environments and conditions where sediment or foreign materials might accumulate in ordinary drop nipples.

The Model V3606 and V3605 Intermediate Level Pendent sprinklers incorporate a water shield plate to prevent water from higher level sprinklers from interfering with normal operation. These intermediate level sprinklers are designed for use in intermediate levels of rack storage or other open grate storage arrangements, where they may be exposed to upper level or ceiling level sprinklers.

Available in either standard or quick response versions, the Model V36 Dry Type Pendent Sprinkler utilizes a frangible glass bulb. At the bulb's rated temperature, the sprinkler opens releasing the bulb seat assembly, causing the inner tube assembly to move, allowing the spring assembly to pivot alongside the inner tube. At this time, water flows through the sprinkler and is distributed by the deflector, in an approved discharge pattern.

The heart of the Model V36 sprinkler's proven actuating assembly is a hermetically sealed frangible glass bulb that contains a precisely measured amount of fluid. When heat is absorbed, the liquid within the bulb expands increasing the internal pressure. At the prescribed temperature the internal pressure within the bulb exceeds the strength of the glass causing the glass to shatter. This results in water discharge which is distributed in an approved pattern.

**COVERAGE:**

For coverage area and sprinkler placement, refer to NFPA 13 standards.

**NOTE:**

**These sprinklers meet the new test requirements in UL 199, effective March 26, 2004.**

**JOB OWNER**

System No. \_\_\_\_\_  
Location \_\_\_\_\_

**CONTRACTOR**

Submitted By \_\_\_\_\_  
Date \_\_\_\_\_

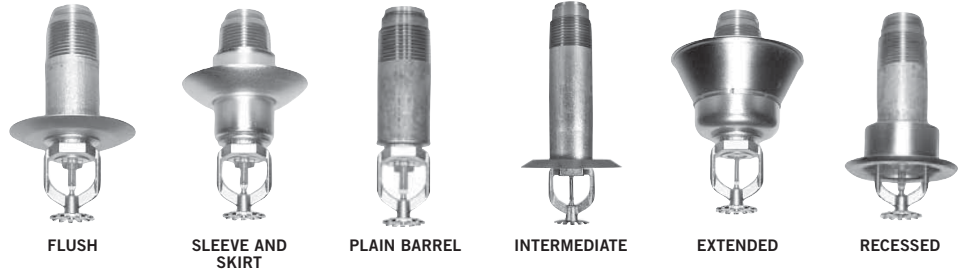
**ENGINEER**

Spec Sect \_\_\_\_\_ Para \_\_\_\_\_  
Approved \_\_\_\_\_  
Date \_\_\_\_\_

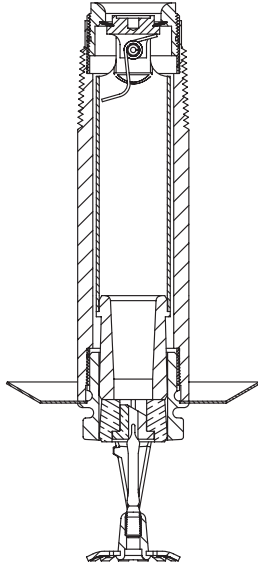
# V36, K5.6

Dry Type Standard Spray  
Pendent, Intermediate Level Pendent  
& Recessed Pendent

**V3605 STANDARD RESPONSE**  
**V3606 QUICK RESPONSE**



**TECHNICAL SPECIFICATIONS:**



*Exaggerated for clarity*

**Models:** V3606 and V3605  
**Style:** Pendent, Recessed Pendent or Intermediate Level Pendent  
**Nominal Orifice Size:** ½"/13 mm  
**Orifice Insert:** Stainless steel per UNS S30300  
**K-Factor:** 5.6 Imp./8.1 S.I.<sup>^</sup>  
**Nominal Thread Size:** 1" NPT/33.7 mm  
**Max. Working Pressure:** 175 psi/1200kPa  
**Factory Hydrostatic Test:**  
 100% @ 500 psi/3450 kPa  
**Min. Operating Pressure:** 7 psi/48 kPa  
**Temperature Rating:** See chart on page 2

**MATERIAL SPECIFICATIONS**  
**Deflector:** Brass per UNS C22000 or Stainless Steel per UNS S30400  
**Bulb:** Glass with glycerin solution.  
**Bulb Nominal Diameter:**  
 • Standard: 5.0mm  
 • Quick Response: 3.0mm  
**Split Spacer:** Stainless steel per UNS S30300  
**Load Screw:** Brass per UNS C36000  
**Pip Cap:** Stainless steel per UNS S30300  
**Spring Seal Assembly:** Teflon\* coated Beryllium nickel alloy and stainless steel per UNS S30300  
**Frame:** Die cast brass  
**Outer Tube:** Galvanized steel pipe  
**Inner Tube:** Stainless steel per UNS S30400  
**Escutcheon/Plate:** 1010 - 1018 mild steel and stainless steel  
**Torsion Spring:** SST Wire

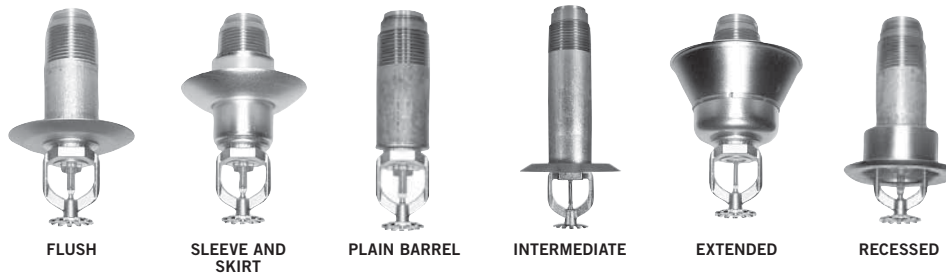
**ACCESSORIES**  
**Installation Wrench:** Model V36 Open End and Recessed Wrenches fit all V36 Series frames.  
**Sprinkler Finishes:**  
 • Plain brass  
 • Chrome plated  
 • White painted †<sup>Δ</sup>  
 • Flat black painted †<sup>Δ</sup>  
 • Custom painted †<sup>Δ</sup>  
 • Wax<sup>Δ</sup>  
 • Wax/Lead<sup>Δ</sup>  
 • Lead<sup>Δ</sup>  
 • Proprietary Nickel Teflon\* Coated<sup>Δ</sup>

For cabinets and other accessories refer to separate sheet.  
<sup>^</sup> For K-Factor when pressure is measured in Bar, multiply S.I. units by 10.0.  
<sup>\*</sup> Teflon is a registered trademark of Dupont Co.  
<sup>†</sup> Not available on the Intermediate Level Style Pendent.  
<sup>Δ</sup> Models V3606/V3605 are UL Listed for corrosion resistance in all configurations  
 NOTE: Weather resistant escutcheon available upon request.

# V36, K5.6

Dry Type Standard Spray  
Pendent, Intermediate Level Pendent  
& Recessed Pendent

**V3605 STANDARD RESPONSE**  
**V3606 QUICK RESPONSE**



## APPROVALS/LISTINGS

Model	Orifice Size	Nominal K-Factor	Response	Deflector Type	Approved Temperature Ratings °F/°C ‡ * †		
					UL	C-UL	FM*
V3606	½ 13	5.6 8.1	Quick	Pendent	135, 155, 200, 286 57, 68, 93, 141	135, 155, 200, 286 57, 68, 93, 141	135, 155, 200, 286 57, 68, 93, 141
V3606	½ 13	5.6 8.1	Quick	Recessed Pendent	135, 155, 200, 286 57, 68, 93, 141	135, 155, 200, 286 57, 68, 93, 141	135, 155, 200 57, 68, 93
V3605	½ 13	5.6 8.1	Standard	Pendent	135, 155, 200, 286 57, 68, 93, 141	135, 155, 200, 286 57, 68, 93, 141	135, 155, 200, 286 57, 68, 93, 141
V3605	½ 13	5.6 8.1	Standard	Recessed Pendent	135, 155, 200, 286 57, 68, 93, 141	135, 155, 200, 286 57, 68, 93, 141	135, 155, 200 57, 68, 93

‡ Listings and approval as of printing.

^ For K-Factor when pressure is measured in Bar, multiply S.I. units by 10.

\*Listed for all hazards.

† Approved for V3605 and V3606 dry sprinklers up to 48" length.

## RATINGS

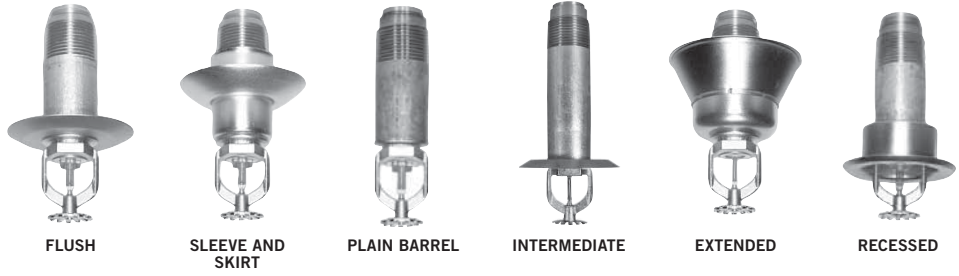
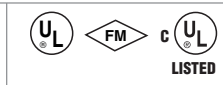
All glass bulbs are rated for temperatures from -67°F/-55°C to those shown in table below.

Sprinkler Temperature Classification	Temperature – °F/°C		Glass Bulb Color
	Nominal Temperature Rating	Maximum Ambient Temperature Allowed	
Ordinary	135	100	Orange
	57	38	
Ordinary	155	100	Red
	68	38	
Intermediate	200	150	Green
	93	65	
Intermediate	286	225	Blue
	141	107	

# V36, K5.6

Dry Type Standard Spray  
Pendent, Intermediate Level Pendent  
& Recessed Pendent

**V3605 STANDARD RESPONSE**  
**V3606 QUICK RESPONSE**



## ORDERING INFORMATION

Please specify the following when ordering:

Sprinkler Model Number	
Style	
Temperature Rating	
K-Factor	
Thread Size	
Quantity	
Sprinkler Finish	
Escutcheon Finish	
Wrench Model Number	

## AVAILABLE WRENCHES

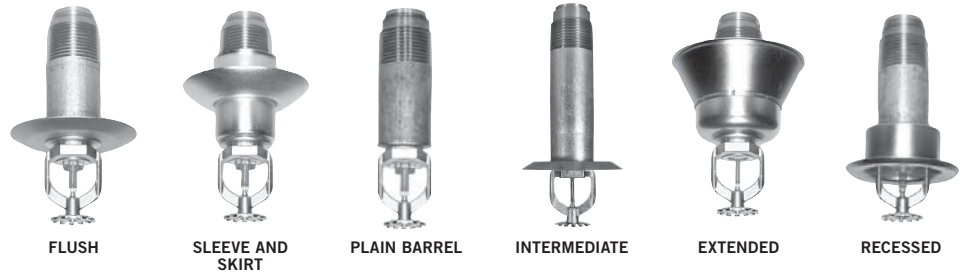
Model V36 Open End and Recessed Wrenches fit all V36 Series frames.






# V36, K5.6

Dry Type Standard Spray  
Pendent, Intermediate Level Pendent  
& Recessed Pendent

V3605 STANDARD RESPONSE  
V3606 QUICK RESPONSE



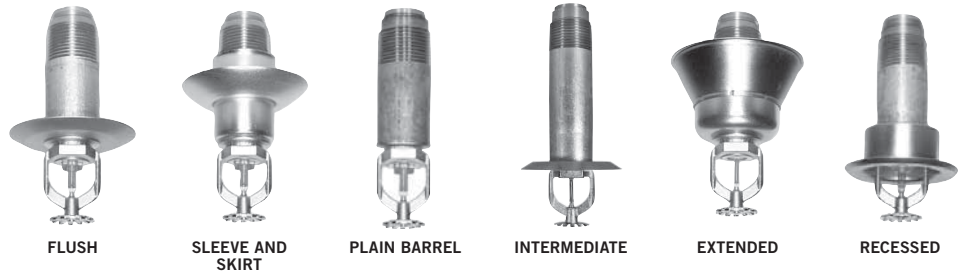
WARNING

<b>WARNING</b>	
    	<ul style="list-style-type: none"> <li>Always read and understand installation, care, and maintenance instructions, supplied with each box of sprinklers, before proceeding with installation of any sprinklers.</li> <li>Always wear safety glasses and foot protection.</li> <li>Depressurize and drain the piping system before attempting to install, remove, or adjust any Victaulic piping products.</li> <li>Installation rules, especially those governing obstruction, must be strictly followed.</li> <li>Painting, plating, or any re-coating of sprinklers (other than that supplied by Victaulic) is not allowed.</li> </ul> <p>Failure to follow these instructions could result in serious personal injury and/or property damage.</p> <p>The owner is responsible for maintaining the fire protection system and devices in proper operating condition. For minimum maintenance and inspection requirements, refer to the current National Fire Protection Association pamphlet that describes care and maintenance of sprinkler systems. In addition, the authority having jurisdiction may have additional maintenance, testing, and inspection requirements that must be followed.</p> <p>If you need additional copies of this publication, or if you have any questions about the safe installation of this product, contact Victaulic World Headquarters: P.O. Box 31, Easton, Pennsylvania 18044-0031 USA, Telephone: 001-610-559-3300.</p>

# V36, K5.6

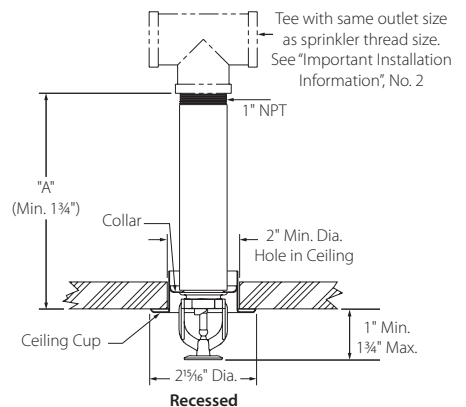
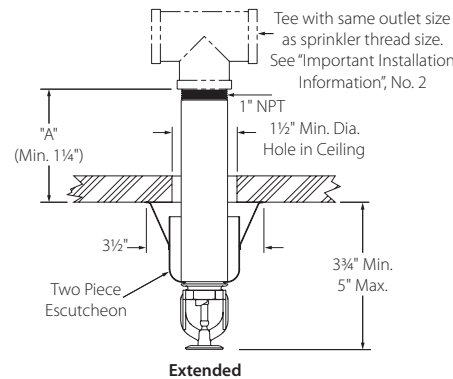
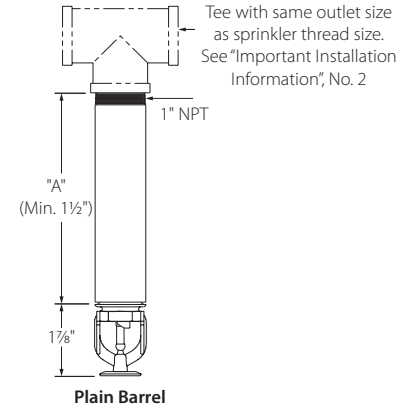
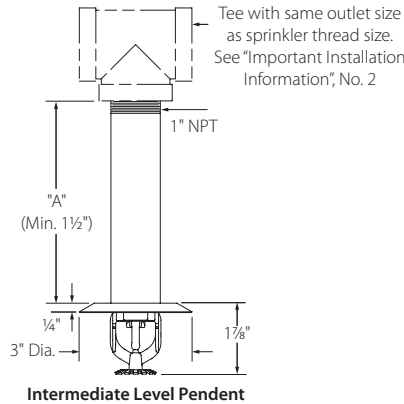
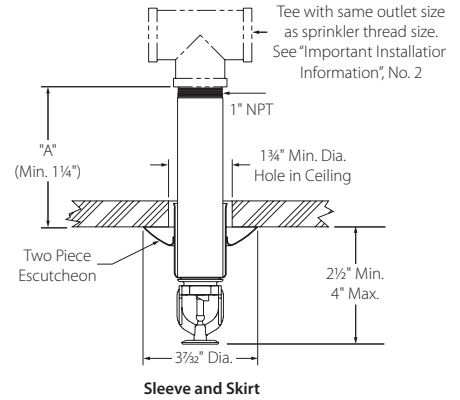
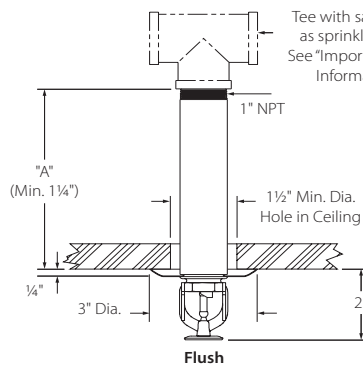
Dry Type Standard Spray  
Pendent, Intermediate Level Pendent  
& Recessed Pendent

**V3605 STANDARD RESPONSE**  
**V3606 QUICK RESPONSE**



## DIMENSIONS

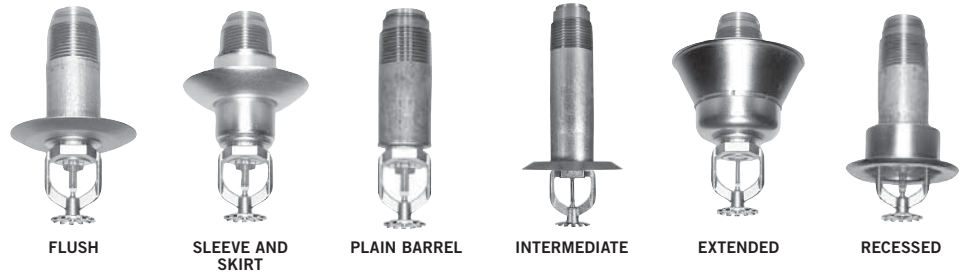
**NOTE:** The "A" dimension of a dry sprinkler which extends into freezers from wet pipe systems should be sized to provide at least 14" between the freezer's outside wall or ceiling and the wet pipe.



# V36, K5.6

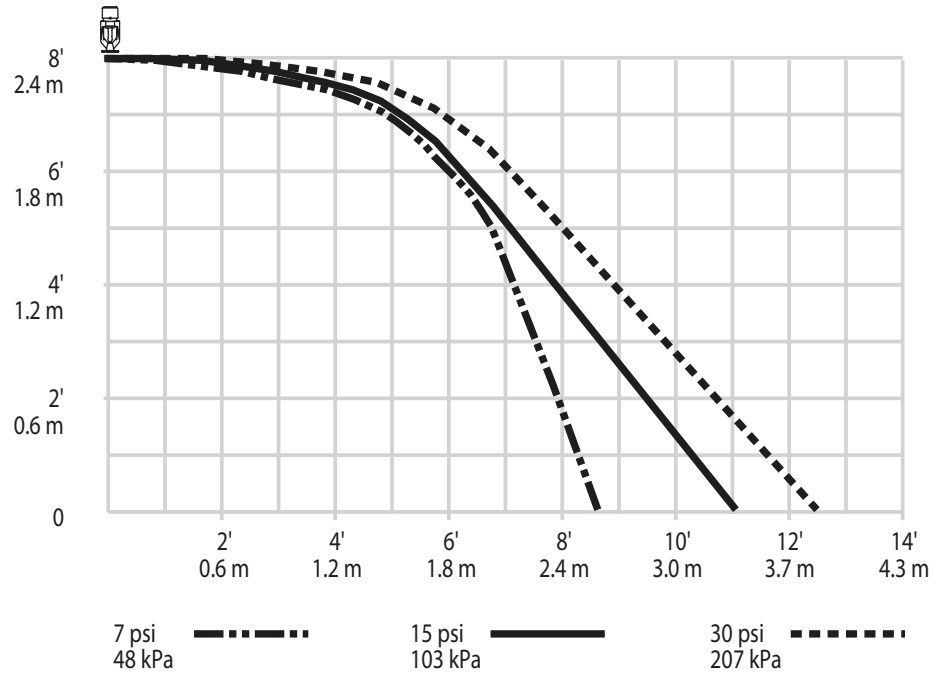
Dry Type Standard Spray  
Pendent, Intermediate Level Pendent  
& Recessed Pendent

V3605 STANDARD RESPONSE  
V3606 QUICK RESPONSE



## DISTRIBUTION PATTERNS

### MODELS V3606, V3605 PENDENT, RECESSED PENDENT & INTERMEDIATE LEVEL PENDENT DISTRIBUTION PATTERNS – TRAJECTORY



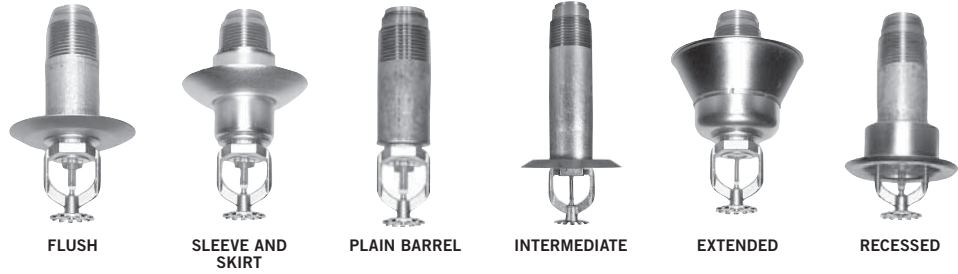
### NOTES:

- 1 Data shown is approximate and can vary due to differences in installation.
- 2 These graphs illustrate approximate trajectories, floor-wetting, and wall-wetting patterns for these specific Victaulic FireLock automatic sprinklers. They are provided as information for guidance in avoiding obstructions to sprinklers and should not be used as minimum sprinkler spacing rules for installation. Refer to the appropriate NFPA National Fire Code and the Authority Having Jurisdiction for specific information regarding obstructions, spacing limitations and area of coverage requirements. Failure to follow these guidelines could adversely affect the performance of the sprinkler and will void all Listings, Approvals and Warranties.
- 3 All patterns are symmetrical to the centerline of the waterway.

# V36, K5.6

Dry Type Standard Spray  
Pendent, Intermediate Level Pendent  
& Recessed Pendent

**V3605 STANDARD RESPONSE**  
**V3606 QUICK RESPONSE**



**IMPORTANT INSTALLATION INFORMATION**

For detailed installation instructions, see publication I-40.

- No. 1** Victaulic Model V36 Series Dry sprinklers should be installed in accordance with NFPA 13. These sprinklers are to be installed using a pipe wrench applied to the outer tube. When this is not possible, the proper sprinkler wrench may be used with extreme care for lengths up to approximately 18". Excessive force may distort the frame thus destroying the unit.
- No. 2** Dry sprinklers **MUST** be installed only into the outlet of a cast or malleable iron tee.
- No. 3** **DO NOT** install dry sprinklers into any couplings or threaded elbows. In addition, **DO NOT** install dry sprinklers into any fitting that interferes with thread penetration. **NOTE:** The end seal of the dry sprinkler **MUST NOT** bottom out in the fitting.

**WARRANTY**

Refer to the Warranty section of the current Price List or contact Victaulic for details.

**NOTE**

This product shall be manufactured by Victaulic or to Victaulic specifications. All products to be installed in accordance with current Victaulic installation/assembly instructions. Victaulic reserves the right to change product specifications, designs and standard equipment without notice and without incurring obligations.

**US & WORLD HEADQUARTERS**

P.O. Box 31  
Easton, PA 18044-0031 USA

4901 Kesslersville Road  
Easton, PA 18040 USA

1-800-PICK-VIC (1-800-742-5842)  
1-610-559-3300  
1-610-250-8817 (fax)  
pickvic@victaulic.com

[www.victaulic.com](http://www.victaulic.com)

**CANADA**

905-884-7444  
905-884-9774 (fax)  
viccanada@victaulic.com

**EUROPE**

32-9-381-15-00  
32-9-380-44-38 (fax)  
viceuro@victaulic.be

**UNITED KINGDOM**

44 (0) 1438741100  
44 (0) 1438313883 (fax)  
viceuro@victaulic.be

**CENTRAL AND SOUTH AMERICA**

1-610-559-3300  
1-610-559-3608 (fax)  
vical@victaulic.com

**ASIA PACIFIC**

86-21-54253300  
86-21-54253671 (fax)  
vicap@victaulic.com

**MIDDLE EAST**

971-4-883-88-70  
971-4-883-88-60 (fax)

