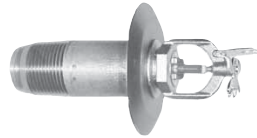


V36, K8.0

Dry Type Standard Spray
Horizontal Sidewall and
Recessed Horizontal Sidewall

V3611 STANDARD RESPONSE
V3612 QUICK RESPONSE



**FLUSH
HORIZONTAL SIDEWALL**



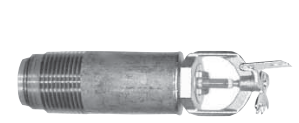
**DRY RECESSED
HORIZONTAL SIDEWALL**



**DRY SLEEVE & SKIRT
HORIZONTAL SIDEWALL**



**EXTENDED
HORIZONTAL SIDEWALL**



**PLAIN
HORIZONTAL SIDEWALL**

The V36 Dry Sprinkler is used in special applications such as freezing environments and conditions where sediment or foreign materials might accumulate in ordinary horizontal pipe nipples.

The Model V36 Dry Type Horizontal Sidewall Sprinkler utilizes a frangible glass bulb. At the bulb's rated temperature, the sprinkler opens releasing the bulb seat assembly, causing the inner tube assembly to move, allowing the spring assembly to pivot alongside the inner tube. At this time, water flows through the sprinkler and is distributed by the deflector, in an approved discharge pattern.

The heart of the Model V36 sprinkler's proven actuating assembly is a hermetically sealed frangible glass bulb that contains a precisely measured amount of fluid. When heat is absorbed, the liquid within the bulb expands increasing the internal pressure. At the prescribed temperature the internal pressure within the bulb exceeds the strength of the glass causing the glass to shatter. This results in water discharge which is distributed in an approved pattern.

COVERAGE:

For coverage area and sprinkler placement, refer to NFPA 13 standards.

NOTE:

These sprinklers meet the new test requirements in UL 199, effective March 26, 2004.

JOB OWNER

System No. _____
Location _____

CONTRACTOR

Submitted By _____
Date _____

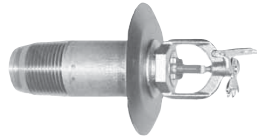
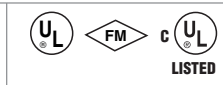
ENGINEER

Spec Sect _____ Para _____
Approved _____
Date _____

V36, K8.0

Dry Type Standard Spray
Horizontal Sidewall and
Recessed Horizontal Sidewall

V3611 STANDARD RESPONSE
V3612 QUICK RESPONSE



**FLUSH
HORIZONTAL SIDEWALL**



**DRY RECESSED
HORIZONTAL SIDEWALL**



**DRY SLEEVE & SKIRT
HORIZONTAL SIDEWALL**

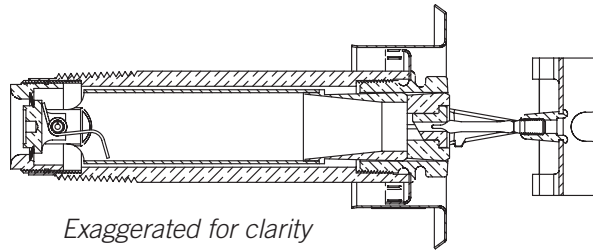


**EXTENDED
HORIZONTAL SIDEWALL**



**PLAIN
HORIZONTAL SIDEWALL**

TECHNICAL SPECIFICATIONS:



Models: V3612 and V3611
Style: Horizontal Sidewall and Recessed Horizontal Sidewall
Nominal Orifice Size: 17/32"/14 mm
Orifice Insert: Stainless steel per UNS S30300
K-Factor: 8.0 Imp./11.5 S.I.^
Nominal Thread Size: 1" NPT/33.7 mm
Max. Working Pressure: 175 psi/1200 kPa
Factory Hydrostatic Test: 100% @ 500 psi/3450 kPa
Min. Operating Pressure: 7 psi/48 kPa
Temperature Rating: See chart on page 3.

MATERIAL SPECIFICATIONS
Deflector: Brass per UNS C22000 or Stainless Steel per UNS S30400
Bulb: Glass with glycerin solution
 • Standard: 5.0mm
 • Quick Response: 3.0mm
Split Spacer: Stainless steel per UNS S30300
Load Screw: Brass per UNS C36000
Pip Cap: Stainless steel per UNS S30300
Spring Seal Assembly: Teflon* coated Beryllium nickel alloy and Stainless steel per UNS S30300
Frame: Die cast brass
Outer Tube: Galvanized steel pipe
Inner Tube: Stainless steel per UNS S30400
Escutcheon: 1010 - 1018 mild steel and Stainless Steel
Torsion Spring: Stainless steel Wire

ACCESSORIES

Installation Wrench: Model V36 Open End and Recessed Wrenches fit all V36 Series frames.

Finishes:

- Plain brass
- Chrome plated ^Δ
- White Painted ^Δ
- Flat black painted ^Δ
- Custom painted ^Δ
- Wax ^Δ
- Proprietary Nickel Teflon* Coated ^Δ

For cabinets and other accessories refer to separate sheet.

^Δ For K-Factor when pressure is measured in Bar, multiply S.I. units by 10.0.

* Teflon is a registered trademark of Dupont Co.

^Δ UL Listed for corrosion resistance in all configurations.

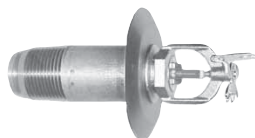
NOTES:

1. Weather resistant recessed escutcheon available upon request.
2. Only the Plain Brass and Nickel Teflon finishes are FM approved.

V36, K8.0

Dry Type Standard Spray
Horizontal Sidewall and
Recessed Horizontal Sidewall

V3611 STANDARD RESPONSE
V3612 QUICK RESPONSE



**FLUSH
HORIZONTAL SIDEWALL**



**DRY RECESSED
HORIZONTAL SIDEWALL**



**DRY SLEEVE & SKIRT
HORIZONTAL SIDEWALL**



**EXTENDED
HORIZONTAL SIDEWALL**



**PLAIN
HORIZONTAL SIDEWALL**

APPROVALS/LISTINGS

Model	Orifice Size	Nominal K-Factor	Response	Deflector Type	Approved Temperature Ratings °F/°C ‡ **		
					UL * †	C-UL * †	FM Δ
V3612	1/2 14	8.0 11.5	Quick	Horizontal Sidewall	135, 155, 200, 286 57, 68, 93, 141	135, 155, 200, 286 57, 68, 93, 141	135, 155, 200, 286 57, 68, 93, 141
V3612	1/2 14	8.0 11.5	Quick	Recessed Horizontal Sidewall	135, 155, 200, 286 57, 68, 93, 141	135, 155, 200, 286 57, 68, 93, 141	135, 155, 200 57, 68, 93
V3611	1/2 14	8.0 11.5	Standard	Horizontal Sidewall	135, 155, 200, 286 57, 68, 93, 141	135, 155, 200, 286 57, 68, 93, 141	135, 155, 200, 286 57, 68, 93, 141
V3611	1/2 14	8.0 11.5	Standard	Recessed Horizontal Sidewall	135, 155, 200, 286 57, 68, 93, 141	135, 155, 200, 286 57, 68, 93, 141	135, 155, 200 57, 68, 93

‡ Listings and approval as of printing.

^ For K-Factor when pressure is measured in Bar, multiply S.I. units by 10.

* Light hazard or ordinary hazard.

† Approved for V3611 and V3612 up to 48" length.

Δ Approved for V3611 and V3612 up to 30" length.

RATINGS

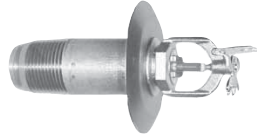
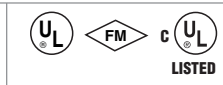
All glass bulbs are rated for temperatures from -67°F/-55°C to those shown in table below.

Sprinkler Temperature Classification	Temperature – °F/°C		Glass Bulb Color
	Nominal Temperature Rating	Maximum Ambient Temperature Allowed	
Ordinary	135/155 57/68	100 38	Orange/Red
Intermediate	200 93	150 65	Green
High	286 141	225 107	Blue

V36, K8.0

Dry Type Standard Spray
Horizontal Sidewall and
Recessed Horizontal Sidewall

V3611 STANDARD RESPONSE
V3612 QUICK RESPONSE



**FLUSH
HORIZONTAL SIDEWALL**



**DRY RECESSED
HORIZONTAL SIDEWALL**



**DRY SLEEVE & SKIRT
HORIZONTAL SIDEWALL**



**EXTENDED
HORIZONTAL SIDEWALL**



**PLAIN
HORIZONTAL SIDEWALL**

ORDERING INFORMATION

Please specify the following when ordering:

Sprinkler Model Number	
Style	
Temperature Rating	
K-Factor	
Quantity	
Sprinkler Finish	
Escutcheon Style	
"A" Dimension – Distance from face of fitting to the finished ceiling line regardless of escutcheon used.	

AVAILABLE WRENCHES

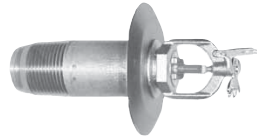
Model V36 Open End and Recessed Wrenches fit all V36 Series frames.



V36, K8.0

Dry Type Standard Spray
Horizontal Sidewall and
Recessed Horizontal Sidewall

V3611 STANDARD RESPONSE
V3612 QUICK RESPONSE



FLUSH
HORIZONTAL SIDEWALL



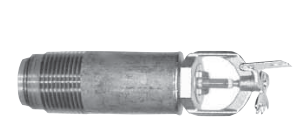
DRY RECESSED
HORIZONTAL SIDEWALL



DRY SLEEVE & SKIRT
HORIZONTAL SIDEWALL



EXTENDED
HORIZONTAL SIDEWALL



PLAIN
HORIZONTAL SIDEWALL



WARNING

WARNING



- Always read and understand installation, care, and maintenance instructions, supplied with each box of sprinklers, before proceeding with installation of any sprinklers.
- Always wear safety glasses and foot protection.
- Depressurize and drain the piping system before attempting to install, remove, or adjust any Victaulic piping products.
- Installation rules, especially those governing obstruction, must be strictly followed.
- Painting, plating, or any re-coating of sprinklers (other than that supplied by Victaulic) is not allowed.

Failure to follow these instructions could result in serious personal injury and/or property damage.

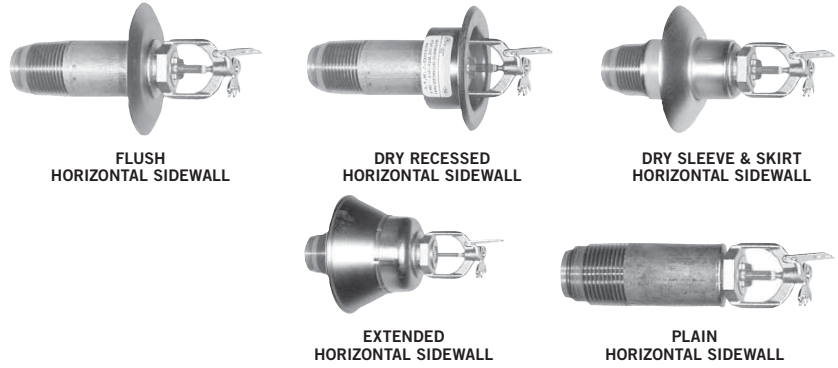
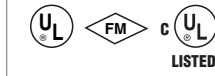
The owner is responsible for maintaining the fire protection system and devices in proper operating condition. For minimum maintenance and inspection requirements, refer to the current National Fire Protection Association pamphlet that describes care and maintenance of sprinkler systems. In addition, the authority having jurisdiction may have additional maintenance, testing, and inspection requirements that must be followed.

If you need additional copies of this publication, or if you have any questions about the safe installation of this product, contact Victaulic World Headquarters: P.O. Box 31, Easton, Pennsylvania 18044-0031 USA, Telephone: 001-610-559-3300.

V36, K8.0

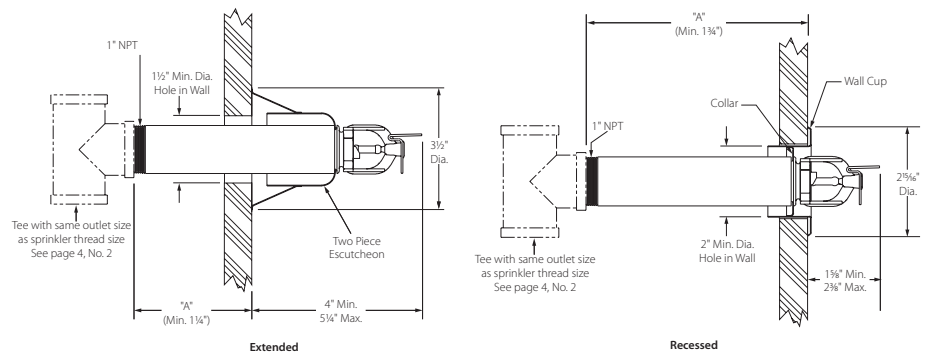
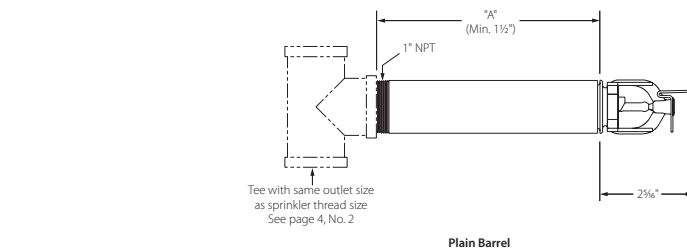
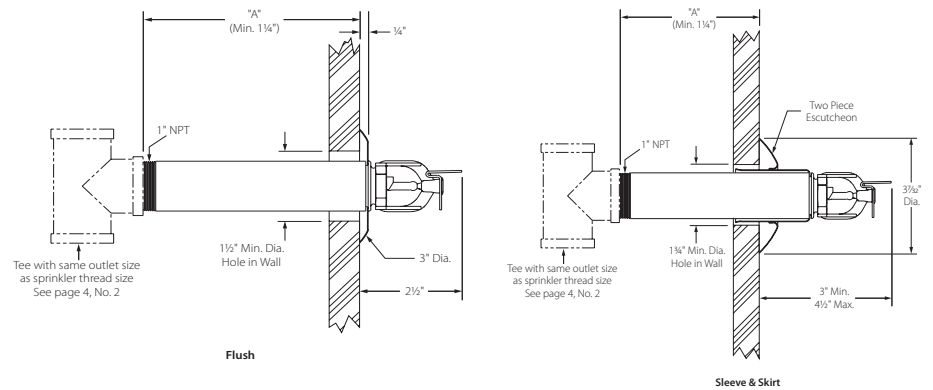
Dry Type Standard Spray
Horizontal Sidewall and
Recessed Horizontal Sidewall

V3611 STANDARD RESPONSE
V3612 QUICK RESPONSE



DIMENSIONS

NOTE: The "A" dimension of a dry sprinkler which extends into freezers from wet pipe systems should be sized to provide at least 14" between the freezer's outside wall or ceiling and the wet pipe.

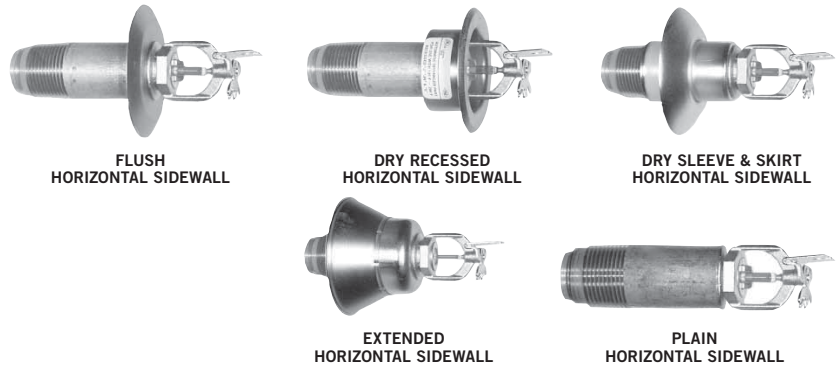


**DEFLECTOR TO CEILING DISTANCE 4 – 12"/102 – 305 MM
FOR ALL CONFIGURATIONS SHOWN ABOVE.**

V36, K8.0

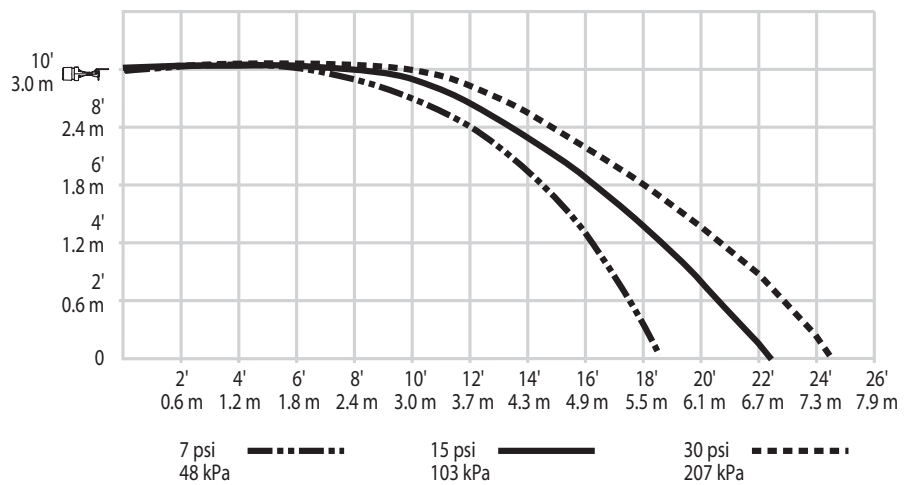
Dry Type Standard Spray
Horizontal Sidewall and
Recessed Horizontal Sidewall

V3611 STANDARD RESPONSE
V3612 QUICK RESPONSE

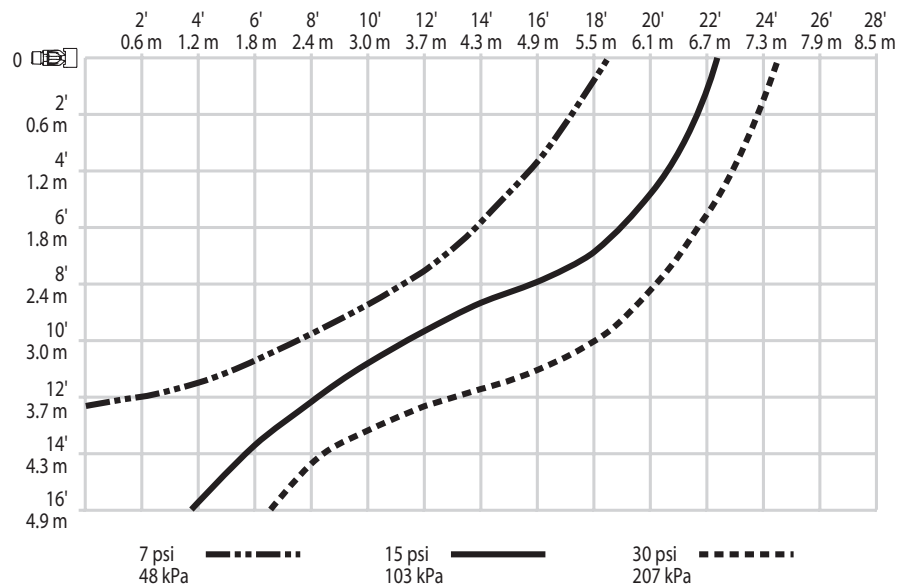


DISTRIBUTION PATTERNS

MODELS V3610, V3609 HORIZONTAL SIDEWALL AND RECESSED HORIZONTAL SIDEWALL DISTRIBUTION PATTERNS – TRAJECTORY



MODELS V3610, V3609 HORIZONTAL SIDEWALL AND RECESSED HORIZONTAL SIDEWALL DISTRIBUTION PATTERNS – PLAN VIEW

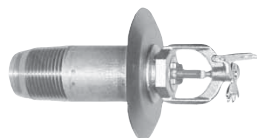


See notes on last page.

V36, K8.0

Dry Type Standard Spray
Horizontal Sidewall and
Recessed Horizontal Sidewall

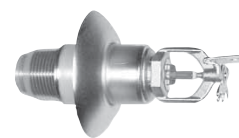
V3611 STANDARD RESPONSE
V3612 QUICK RESPONSE



**FLUSH
HORIZONTAL SIDEWALL**



**DRY RECESSED
HORIZONTAL SIDEWALL**



**DRY SLEEVE & SKIRT
HORIZONTAL SIDEWALL**



**EXTENDED
HORIZONTAL SIDEWALL**



**PLAIN
HORIZONTAL SIDEWALL**

NOTES

- 1 Data shown is approximate and can vary due to differences in installation.
- 2 These graphs illustrate approximate trajectories, floor-wetting, and wall-wetting patterns for these specific Victaulic FireLock automatic sprinklers. They are provided as information for guidance in avoiding obstructions to sprinklers and should not be used as minimum sprinkler spacing rules for installation. Refer to the appropriate NFPA National Fire Code and the Authority Having Jurisdiction for specific information regarding obstructions, spacing limitations and area of coverage requirements. Failure to follow these guidelines could adversely affect the performance of the sprinkler and will void all Listings, Approvals and Warranties.
- 3 All patterns are symmetrical to the centerline of the waterway.

IMPORTANT INSTALLATION INFORMATION

For detailed installation instructions, see publication I-40.

- No. 1** Victaulic Model V36 Series Dry sprinklers should be installed in accordance with NFPA 13. These sprinklers are to be installed using a pipe wrench applied to the outer tube. When this is not possible, the proper sprinkler wrench may be used with extreme care for lengths up to approximately 18". Excessive force may distort the frame thus destroying the unit.
- No. 2** Dry sprinklers **MUST** be installed only into the outlet of a cast or malleable iron tee.
- No. 3** **DO NOT** install dry sprinklers into any couplings or threaded elbows. In addition, **DO NOT** install dry sprinklers into any fitting that interferes with thread penetration. **NOTE:** The end seal of the dry sprinkler **MUST NOT** bottom out in the fitting.

WARRANTY

Refer to the Warranty section of the current Price List or contact Victaulic for details.

NOTE

This product shall be manufactured by Victaulic or to Victaulic specifications. All products to be installed in accordance with current Victaulic installation/assembly instructions. Victaulic reserves the right to change product specifications, designs and standard equipment without notice and without incurring obligations.

US & WORLD HEADQUARTERS

P.O. Box 31
Easton, PA 18044-0031 USA
4901 Kesslersville Road
Easton, PA 18040 USA
1-800-PICK-VIC (1-800-742-5842)
1-610-559-3300
1-610-250-8817 (fax)
pickvic@victaulic.com

www.victaulic.com

CANADA

905-884-7444
905-884-9774 (fax)
viccanada@victaulic.com

EUROPE

32-9-381-15-00
32-9-380-44-38 (fax)
viceuro@victaulic.be

UNITED KINGDOM

44 (0) 1438741100
44 (0) 1438313883 (fax)
viceuro@victaulic.be

CENTRAL AND SOUTH AMERICA

1-610-559-3300
1-610-559-3608 (fax)
vical@victaulic.com

ASIA PACIFIC

86-21-54253300
86-21-54253671 (fax)
vicap@victaulic.com

MIDDLE EAST

971-4-883-88-70
971-4-883-88-60 (fax)

