

V27, K5.6

Models V2725 and V2726
 Conventional (Old Style) Sprinklers
 Standard and Quick Response

PRODUCT DESCRIPTION



V2725
 V2726



See Victaulic
 publication 10.01
 for details.



This Model V27 conventional old-style sprinkler is designed to produce a hemispherical pattern which deflects approximately half of the spray upwards toward the ceiling and the other half downwards and can be installed in either the upright or pendent position. It is available with either standard or quick response bulbs. The design incorporates state-of-the-art, heat responsive, frangible glass bulb design (standard or quick response) for prompt, precise operation.

The die cast frame is more streamlined and attractive than traditional sand cast frames. It is cast with a hex-shaped wrench boss to allow easy tightening from many angles, reducing assembly effort. This sprinkler is available in various temperature ratings (see chart on page 2) and finishes to meet many design requirements.

Sprinkler Operation

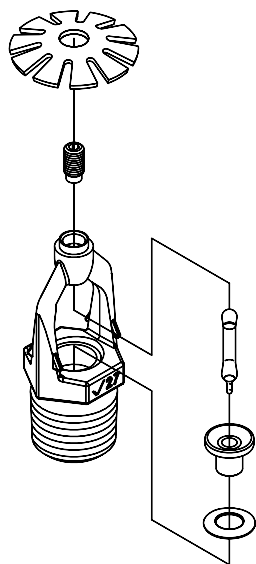
The operating mechanism is a frangible glass bulb which contains a heat responsive liquid. During a fire, the ambient tempera-

ture rises causing the liquid in the bulb to expand. When the ambient temperature reaches the rated temperature of the sprinkler, the bulb shatters. As a result, the waterway is cleared of all sealing parts and water is discharged towards the deflector. The deflector is designed to distribute the water in a pattern that is most effective in controlling the fire.

Coverage

For coverage area and sprinkler placement, refer to NFPA 13 standards.

TECHNICAL SPECIFICATIONS



(Exaggerated for clarity)

- Models:** V2725, V2726
- Style:** Conventional
- Nominal Orifice Size:** 1/2" (13 mm)
- K-Factor:** 5.6 Imp. (8,1 S.I. ^)
- Nominal Thread Sizes:** 1/2" NPT (15 mm)
15 mm BSP
- Max. Working Pressure:** 175 psi (1200 kPa), 12.5 MPA
- Factory Hydrostatic Test:** 100% @ 500 psi (3450 kPa)
- Min. Operating Pressure:** 7 psi (48 kPa)
- Temperature Rating:** See chart on page 2.

MATERIAL SPECIFICATIONS

- Deflector:** Bronze per UNS C51000
- Bulb:** Glass with glycerin solution.
 - Bulb Nominal Diameter:**
 - Standard: 5,0 mm
 - Quick Response: 3,0 mm
- Load Screw:** Silicon Bronze per UNS C65100
- Pip Cap:** Silicon Bronze per UNS C65100
- Spring:** Beryllium nickel
- Seal:** Teflon* tape
- Frame:** Die cast brass 65-30

ACCESSORIES

Installation Wrench:

- Open End: V27, V38-3

Finishes:

- Plain brass
- Chrome plated
- Wax coated†**
- White painted RAL 9010**
- Proprietary Nickel Teflon*†** coating

For cabinets and other accessories refer to separate sheet.

^ For K-Factor when pressure is measured in Bar, multiply S.I. units by 10.0.

* Teflon is a registered trademark of Dupont Co.

† Not VdS approved

**UL Listed for corrosion resistance in all configurations.

VICTAULIC® IS AN ISO 9001 CERTIFIED COMPANY

Victaulic Company of America
 Phone: 1-800-PICK-VIC (1-800-742-5842)
 Fax: 610-250-8817
 e-mail: pickvic@victaulic.com

Victaulic Company of Canada
 Phone: 905-884-7444
 Fax: 905-884-9774
 e-mail: viccanada@victaulic.com

Victaulic Europe
 Phone: 32-9-381-1500
 Fax: 32-9-380-4438
 e-mail: viceuro@victaulic.be

Victaulic America Latina
 Phone: 610-559-3300
 Fax: 610-559-3608
 e-mail: vical@victaulic.com

Victaulic Asia Pacific
 Phone: 86-21-58851511
 Fax: 86-21-58851298
 e-mail: vicap@victaulic.com

APPROVALS/LISTINGS

Model	Orifice Size Inches millimeters	Nominal K-Factor Imperial S.I. [^]	Response	Deflector Type	Approved Temperature Ratings °F/°C ‡ Ω				
					UL	ULC	NYC/MEA†	CSFM §	VdS/CE
V2725	½ 13	5.6 8,1	Standard	Conventional*	135 - 360 57 - 182	135 - 360 57 - 182	135 - 360 57 - 182	135 - 360 57 - 182	135 - 286 57 - 141
V2726	½ 13	5.6 8,1	Quick	Conventional*	135 - 286 57 - 141	135 - 286 57 - 141	135 - 286 57 - 141	135 - 286 57 - 141	135 - 286 57 - 141

‡ Listings and approval as of printing. Ω All are approved open, except for areas designated "No".

[^] For K-Factor when pressure is measured in Bar, multiply S.I. units by 10.

† MEA #62-99-E.

§ CSFM #7690-0531:112

*Not to be used with any recessed escutcheon.

RATINGS

All glass bulbs are rated for temperatures from -67°F (-55°C) up to those shown in adjacent table.

Sprinkler Temperature Classification	Victaulic Part Identification	Temperature – °F/°C		Glass Bulb Color
		Nominal Temperature Rating	Maximum Ambient Temp. Allowed	
Ordinary	A	135 57	100 38	Orange
Ordinary	C	155* 68	100 38	Red
Intermediate	E	175 79	150 65	Yellow
Intermediate	F	200* 93	150 65	Green
High	J	286 141	225 ~ 107	Blue
Extra High ‡	K	360 182	300 149	Mauve
- ‡	M	Open	-	No Bulb

‡ Standard response only.

All are approved open, except for areas designated "No".

- 150/65 if wax coated.

* Also available wax coated.

ORDERING INFORMATION

Please specify the following when ordering:

- Sprinkler Model Number
- Style
- Temperature Rating
- K-Factor
- Thread Type
- Quantity
- Sprinkler Finish
- Wrench Model Number

⚠ WARNING

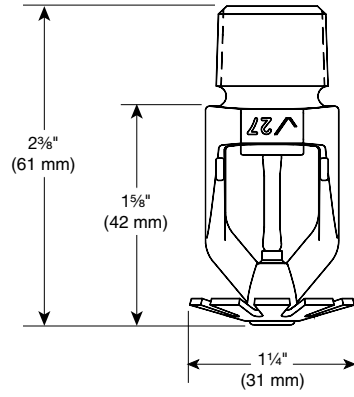


- Always read and understand installation, care, and maintenance instructions, supplied with each box of sprinklers, before proceeding with installation of any sprinklers.
 - Always wear safety glasses and foot protection.
 - Depressurize and drain the piping system before attempting to install, remove, or adjust any Victaulic piping products.
 - Installation rules, especially those governing obstruction, must be strictly followed.
 - Painting, plating, or any re-coating of sprinklers (other than that supplied by Victaulic) is not allowed.
- Failure to follow these instructions could result in serious personal injury and/or property damage.

The owner is responsible for maintaining the fire protection system and devices in proper operating condition. For minimum maintenance and inspection requirements, refer to the current National Fire Protection Association pamphlet that describes care and maintenance of sprinkler systems. In addition, the authority having jurisdiction may have additional maintenance, testing, and inspection requirements that must be followed.

If you need additional copies of this publication, or if you have any questions about the safe installation of this product, contact Victaulic World Headquarters, P.O. Box 31, Easton, Pennsylvania 18044-0031, 610-559-3300.

DIMENSIONS



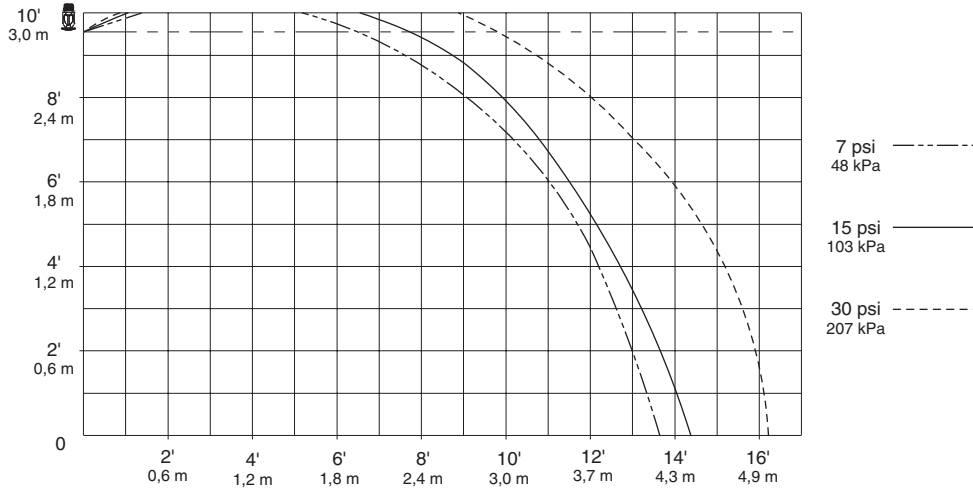
Conventional Pendent/Upright - V2725, V2726

AVAILABLE WRENCHES

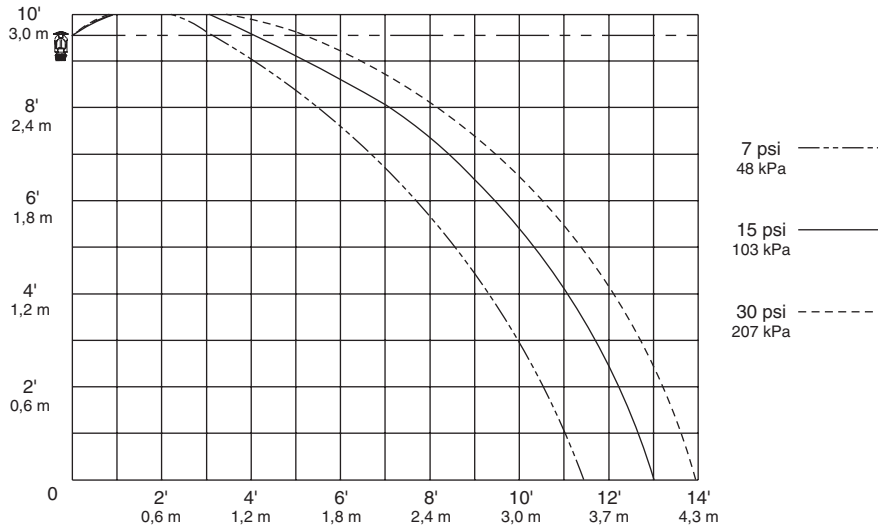
	V38 or V38-3 Recessed	V27 Open End
V2725, V2726 Conventional	✓	✓

DISTRIBUTION PATTERNS

MODELS V2725, V2726
K5.6 STANDARD CONVENTIONAL – PENDENT POSITION
DISTRIBUTION PATTERNS – TRAJECTORY



MODELS V2725, V2726
K5.6 STANDARD CONVENTIONAL – UPRIGHT POSITION
DISTRIBUTION PATTERNS – TRAJECTORY



NOTES:

1. Data shown is approximate and can vary due to differences in installation.
2. These graphs illustrate approximate trajectories, floor-wetting, and wall-wetting patterns for these specific Victaulic FireLock Automatic Sprinklers. They are provided as information for guidance in avoiding obstructions to sprinklers and should not be used as minimum sprinkler spacing rules for installation. Refer to the appropriate NFPA National Fire Code and the authority having jurisdiction for specific information regarding obstructions, spacing limitations and area of coverage requirements. Failure to follow these guidelines could adversely affect the performance of the sprinkler and will void all Listings, Approvals and Warranties.
3. All patterns are symmetrical to the centerline of the waterway.

WARRANTY

Refer to the Warranty section of the current Price List or contact Victaulic for details.

This product shall be manufactured by Victaulic Company. All products to be installed in accordance with current Victaulic installation/assembly instructions. Victaulic reserves the right to change product specifications, designs and standard equipment without notice and without incurring obligations.